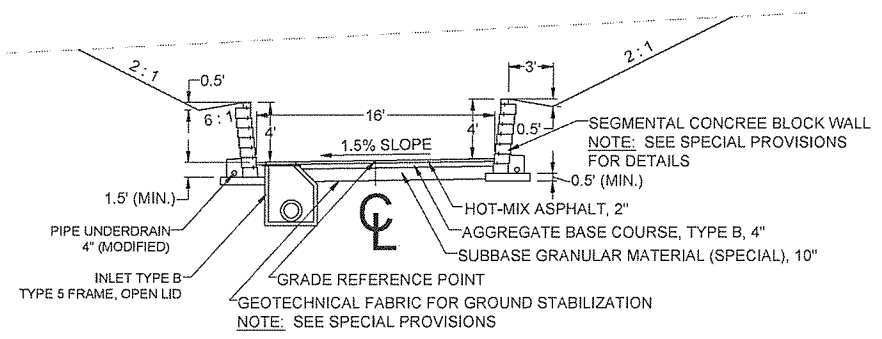


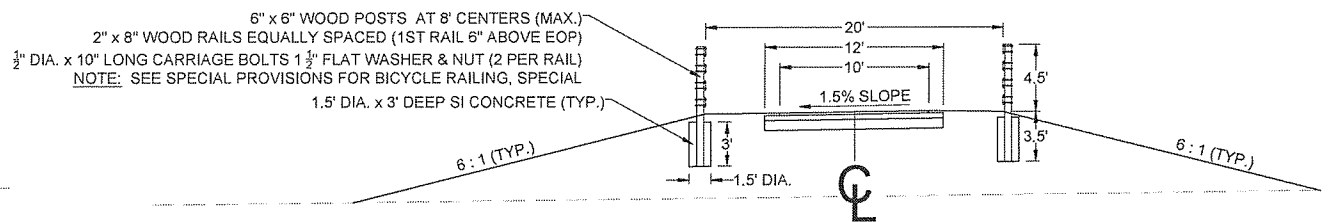
ROUTE 11	SECTION 16-00633-00-BT	SHEET 05 OF 56
-------------	---------------------------	-------------------

Perryville Bike Path - Typical Sections



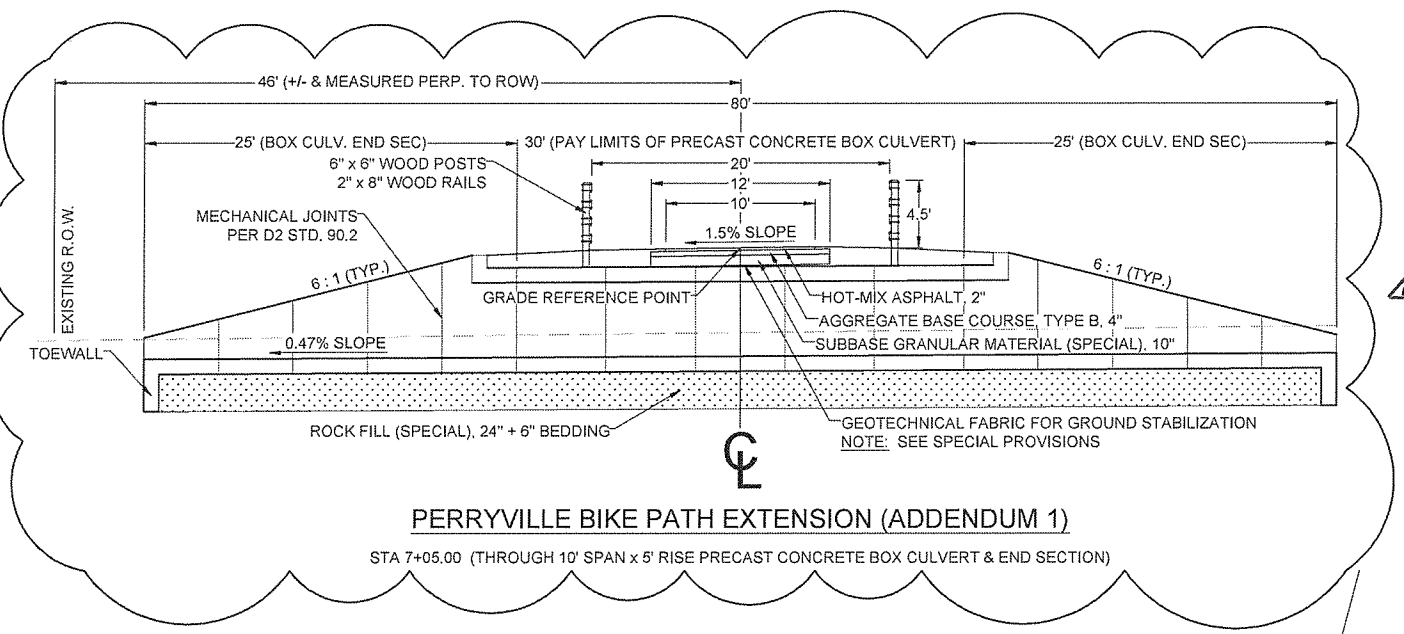
PERRYVILLE BIKE PATH EXTENSION

SEGMENTAL BLOCK WALL SECTION FROM STA 22+25 TO STA 26+24
 NOTE: A 25' RADIUS WILL BE PROVIDED AT THE BEGINNING AND END OF EACH WALL TO ALLOW FOR A GRADING TRANSITION FROM THE WALL SECTION TO A DITCH SECTION



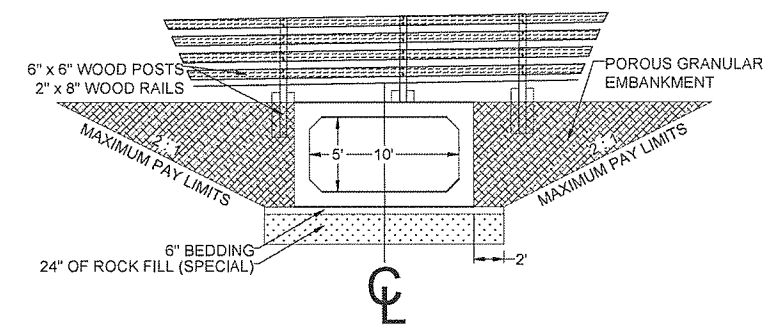
PERRYVILLE BIKE PATH EXTENSION

BICYCLE RAILING, SPECIAL



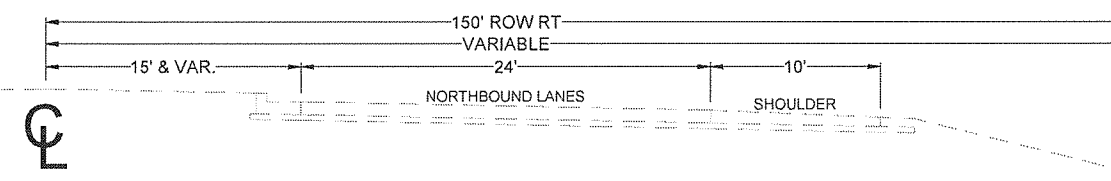
PERRYVILLE BIKE PATH EXTENSION (ADDENDUM 1)

STA 7+05.00 (THROUGH 10' SPAN x 5' RISE PRECAST CONCRETE BOX CULVERT & END SECTION)



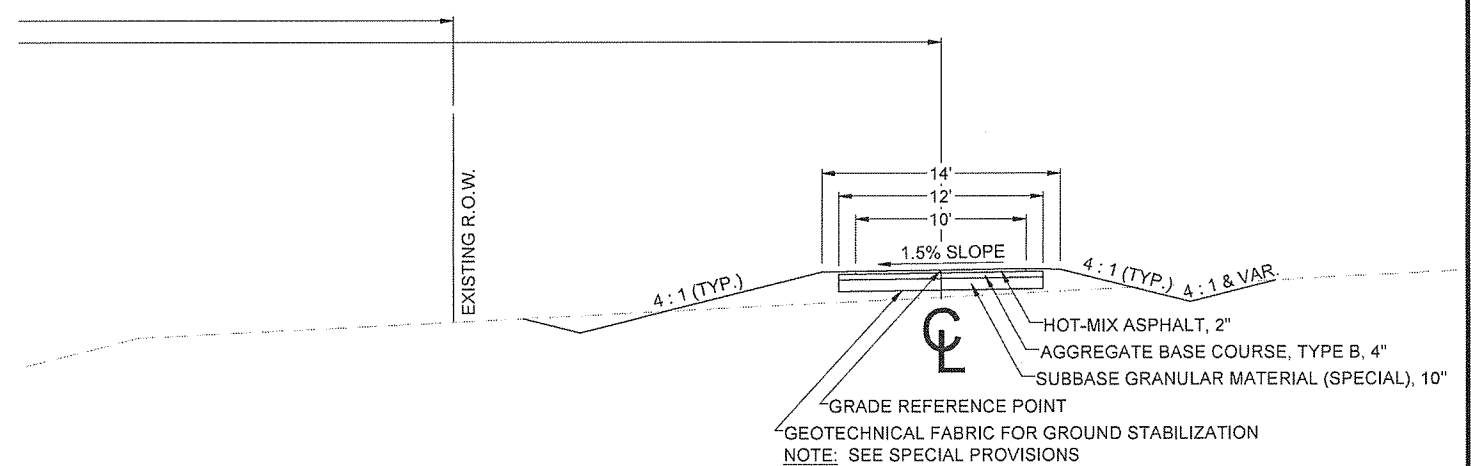
PERRYVILLE BIKE PATH EXTENSION

STA 7+05.00 (THROUGH 10' SPAN x 5' RISE PRECAST CONCRETE BOX CULVERT & END SECTION)



PERRYVILLE ROAD (HART ROAD TO IL-173 (WEST LANE ROAD))

30' & VARIABLE MEDIAN
 FROM STA. 481+77.02 TO 521+00



PERRYVILLE BIKE PATH EXTENSION

FROM STA 0+00 TO STA 40+01.24 (ROCK CUT STATE PARK)

NOTE: THE FINAL TOP FOUR INCHES OF SOIL IN ANY AREA DISTURBED BY THE CONTRACTOR MUST BE A COHESIVE SOIL CAPABLE OF SUPPORTING VEGETATION. SEE SPECIAL PROVISIONS FOR TOPSOIL EXCAVATION AND PLACEMENT, SPECIAL.

NOTE: THE ENGINEER RESERVES THE RIGHT TO ELIMINATE SOME OR ALL OF THE PLAN QUANTITY FOR GEOTECHNICAL FABRIC IF SOIL CONDITIONS WARRANT IN THE FIELD.

Revised 5/24/2021