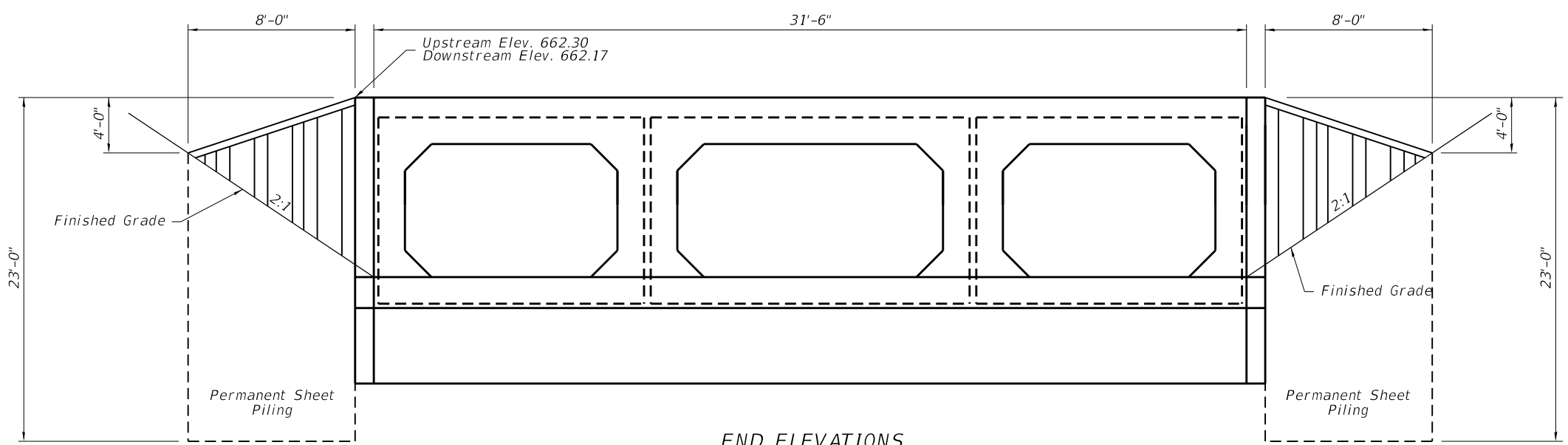
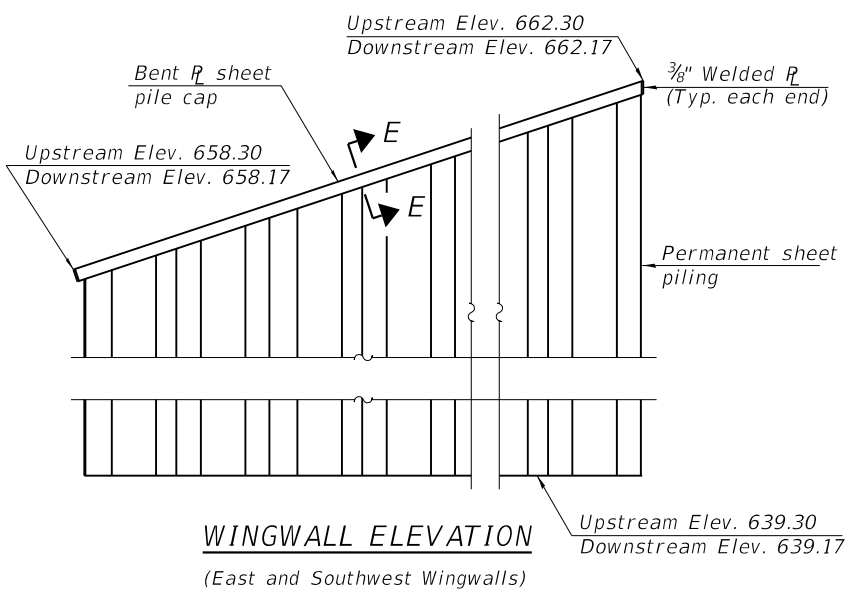


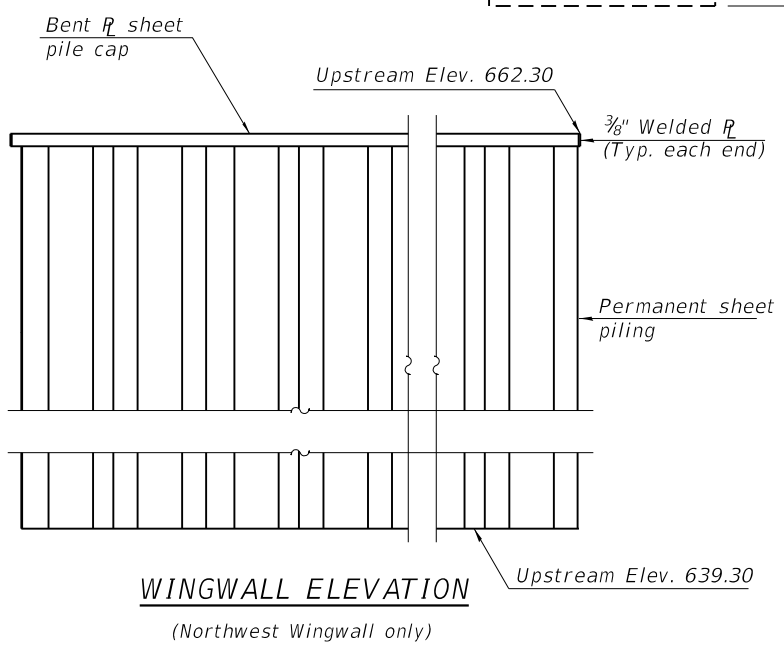
SECTION THRU BARREL



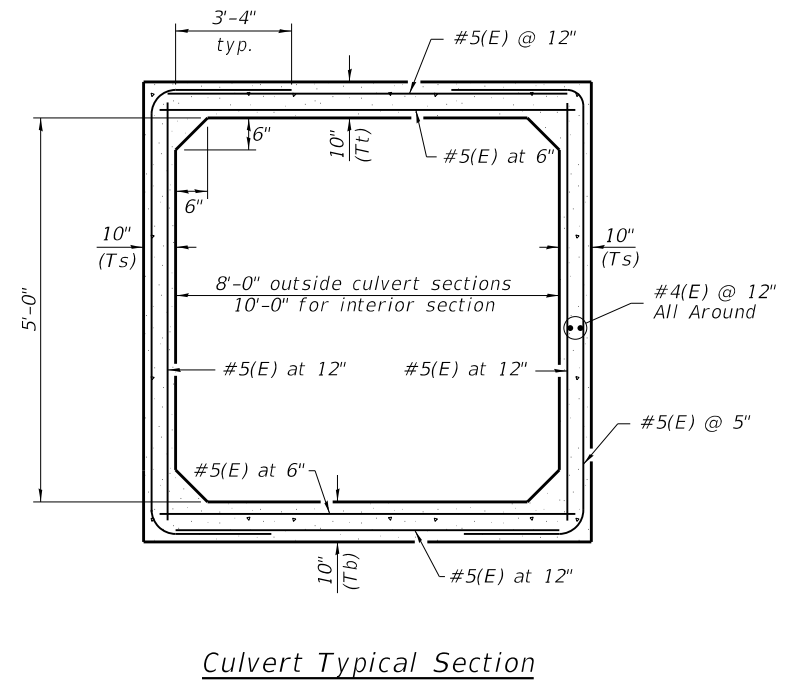
END ELEVATIONS



WINGWALL ELEVATION
(East and Southwest Wingwalls)



WINGWALL ELEVATION
(Northwest Wingwall only)



Culvert Typical Section

Notes:
 Bonded construction joints shall be prepared according to Article 503.09 of the Standard Specifications.
 The minimum effective section modulus of the permanent sheet pile wall shall be 30 in.³/ft.
 Pre-augering maybe required for installation of the Permanent Steel Sheet Pile Wall in order to loosen the sub soils. Additionally, sheet pile shoes are required for installation. The cost of pre-augering and sheet pile shoes is included in the Permanent Sheet Pile pay item.
 Sheet piling shall not be driven until the concrete strength has attained a minimum flexural strength of 650 psi or a minimum compressive strength of 3500 psi.
 The cost of furnishing and installing the bent R sheet pile cap, elastomeric mat, and filter fabric shall be included in the cost of the end section.
 See sheets CUL-03 and 04 of 10 for culvert construction sequence.
 Removal and Disposal of Unsuitable Material For Structures should be utilized only if unstable or unsuitable material is encountered in the field prior to placement of the Precast Culvert. The depth to which excavation should extend when removing unsuitable materials must be determined. Notify the District geotechnical engineer to provide guidance to determine the depth this material should be excavated and the type of backfill to be used.

MODEL: 0228306-61469-005
 FILE NAME: P:\0228306-61469-005 - D01\0228306-61469-005 - D01\0228306-61469-005 - D01\0228306-61469-005.dwg
 CADD: Drawings\0228306-61469-005.dwg



| | | |
|--------------------------------|------------------|-----------|
| USER NAME = atiemann | DESIGNED - KJH | REVISED - |
| PLOT SCALE = 2:0.0043 1" / in. | DRAWN - AHT | REVISED - |
| PLOT DATE = 3/10/2021 | CHECKED - AJN | REVISED - |
| | DATE - 3/11/2021 | REVISED - |

**STATE OF ILLINOIS
DEPARTMENT OF TRANSPORTATION**

| | |
|--|-------------------------------|
| TYPICAL SECTIONS CULVERT - STRUCTURE NO. 022-8300 | |
| SCALE: | SHEET CUL-05 OF CUL-10 SHEETS |
| STA. | TO STA. |

| | | | | |
|---------------------------|------------|--------|--------------|-----------|
| F.A.P. RTE. | SECTION | COUNTY | TOTAL SHEETS | SHEET NO. |
| 344 | 2020-196-T | DUPAGE | 122 | 60 |
| CONTRACT NO. 62M69 | | | | |
| ILLINOIS FED. AID PROJECT | | | | |

CUL-05