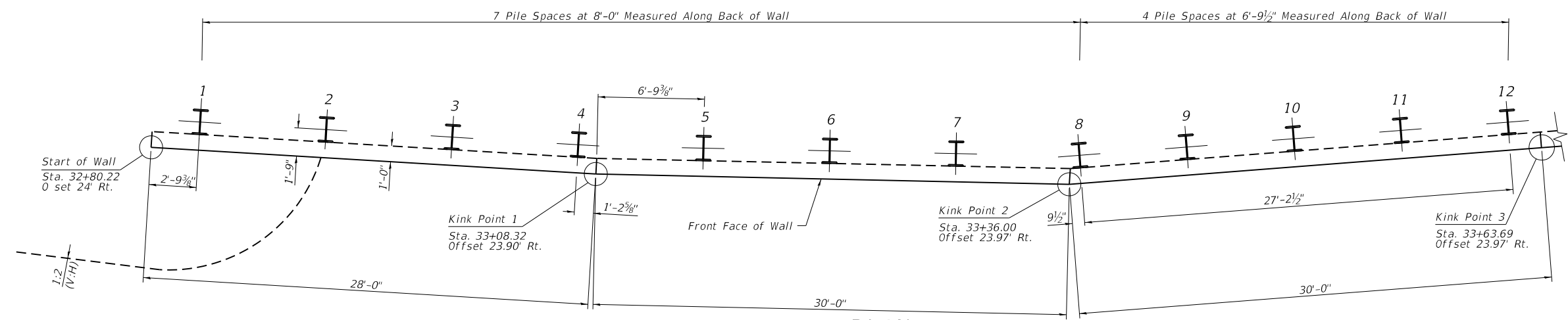


ELEVATION
(Looking at Front Face of Wall, Unfolded)



PLAN

PILE SUMMARY

PILE NUMBER	STATION	OFFSET	PILE SIZE	TOP OF PILE ELEV.	BOT. OF PILE ELEV.	PILE LENGTH
1	32+83.00	22.20' RT.	W18x119	662.25	632.25	30'-0"
2	32+91.00	22.17' RT.	W18x119	662.25	632.25	30'-0"
3	32+99.00	22.14' RT.	W18x119	662.25	632.25	30'-0"
4	33+07.00	22.11' RT.	W18x119	662.25	632.25	30'-0"
5	33+14.53	21.88' RT.	W18x119	662.25	632.25	30'-0"
6	33+21.96	21.78' RT.	W18x119	662.25	632.25	30'-0"
7	33+29.40	21.90' RT.	W18x119	662.25	632.25	30'-0"
8	33+36.65	22.15' RT.	W18x119	662.25	632.25	30'-0"
9	33+42.97	21.91' RT.	W18x119	662.25	632.25	30'-0"
10	33+49.28	21.83' RT.	W18x119	662.25	632.25	30'-0"
11	33+55.60	21.89' RT.	W18x119	662.25	632.25	30'-0"
12	33+61.92	22.10' RT.	W18x119	662.25	632.25	30'-0"

TABLE 1: POINTS

POINTS	STATION	OFFSET
START OF THE WALL - @ FACE	32+80.22	24.00' RT.
KINK POINT 1	33+08.32	23.90' RT.
KINK POINT 2	33+36.00	23.97' RT.
KINK POINT 3	33+63.69	23.97' RT.

LAP LENGTH

#5 Bar = 2'-6"

NOTES

- All dimensions are along the back of wall.
- For Bill of Material see Sheet Ret-2.
- For Typical Sections see Sheet Ret-8.
- Pipe handrail details and post spacing are included in Sheet Ret-8.
- 3" Dia. weep holes shall be installed at 8' cts. and 2' above grade. Any weep hole that falls on the location of a construction or expansion joint shall be moved a minimum 1' away from the joint location.

MODEL: X:\2020\62M69\62M69_TSL.dwg
 FILE NAME: P:\02025 - DD\02025\02025-002 (ENG) - PTB_195-016 Phase II Var Var\Engineering\WO 1 - 1L024L30500 Drawings\501_CADD Drawings\162M69-RW Wall Layout_1.dwg
 311 S. Wacker Drive, Suite 1950
 Chicago, Illinois 60606
 312-474-0560
 www.bowmanconsulting.com



USER NAME = khejtmanek	DESIGNED - AS	REVISED -
	DRAWN - AHT	REVISED -
PLOT SCALE = 8:0 ft/in / in.	CHECKED - AJN	REVISED -
PLOT DATE = 3/10/2021	DATE - 3/11/2021	REVISED -

**STATE OF ILLINOIS
DEPARTMENT OF TRANSPORTATION**

**WALL LAYOUT 1
RETAINING WALL - STRUCTURE NO.022-W001**

SCALE: SHEET RET-3 OF RET-11 SHEETS STA. TO STA.

F.A.P. RTE. 344	SECTION 2020-196-T	COUNTY DUPAGE	TOTAL SHEETS 122	SHEET NO. 68
ILLINOIS FED. AID PROJECT			CONTRACT NO. 62M69	

RET-03