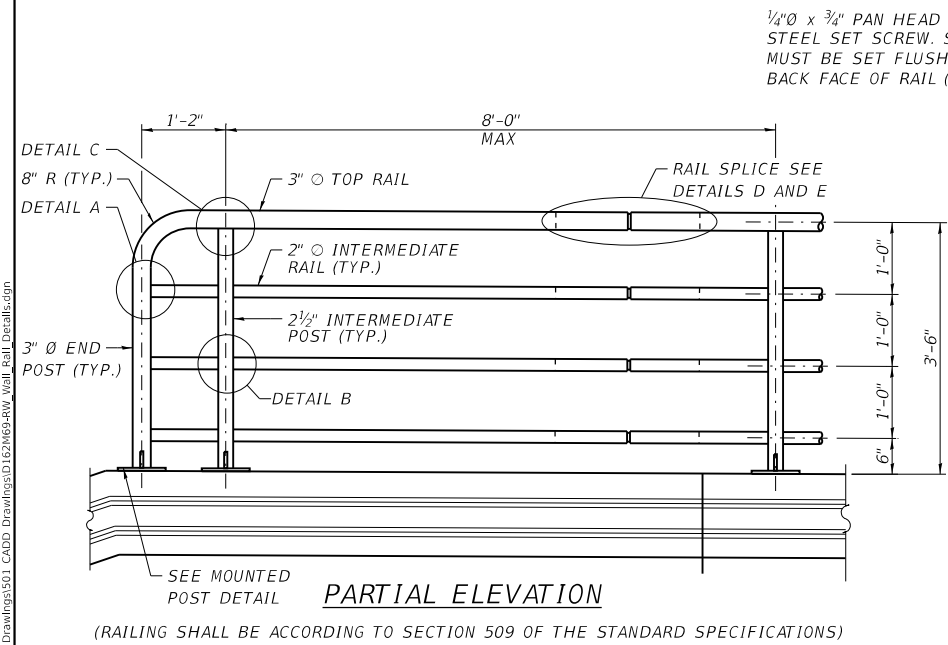


HANDRAIL ELEVATION

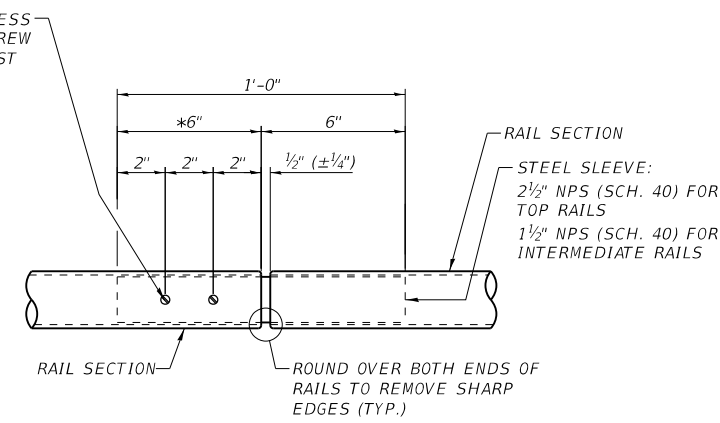
BILL OF MATERIALS

ITEM	UNIT	QUANTITY
PIPE HANDRAIL	FOOT	403

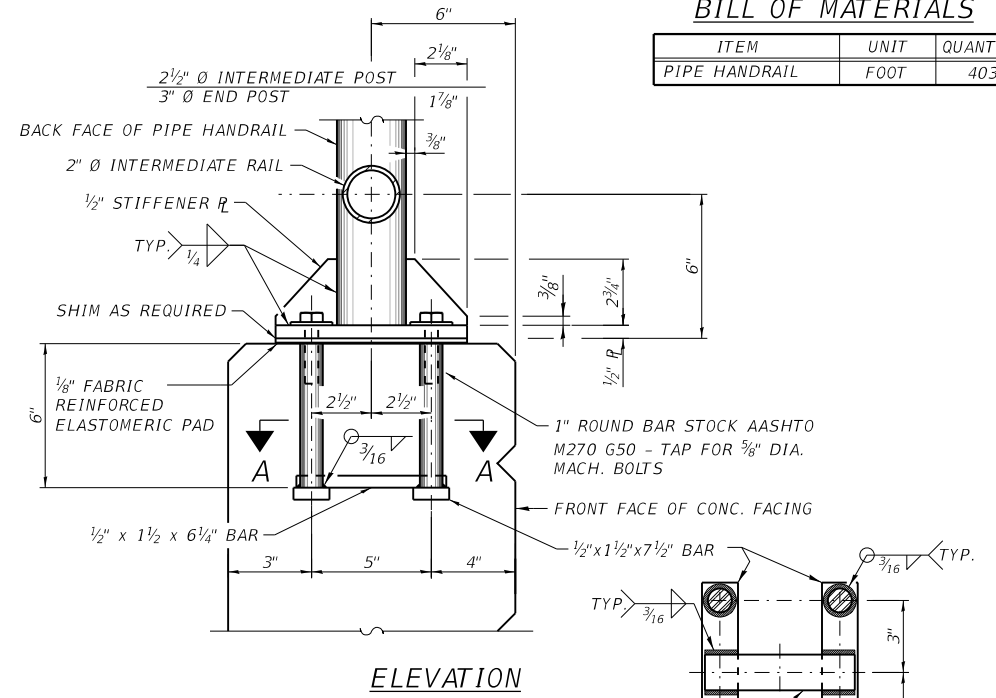


PARTIAL ELEVATION

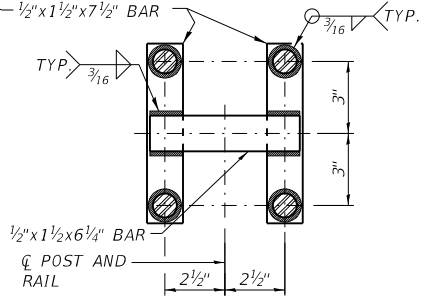
(RAILING SHALL BE ACCORDING TO SECTION 509 OF THE STANDARD SPECIFICATIONS)



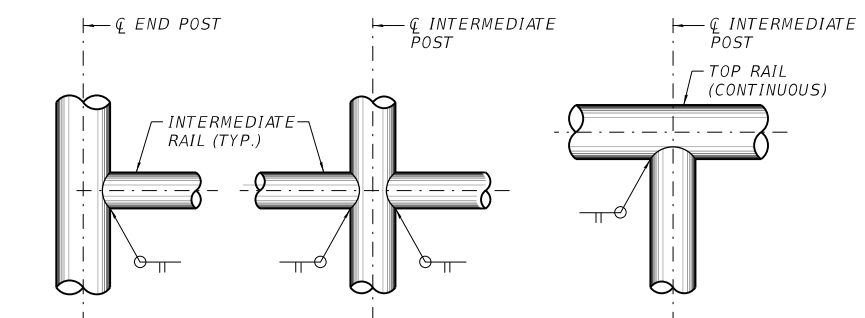
DETAIL D - HANDRAIL SPLICE CONNECTION AT EXPANSION JOINT



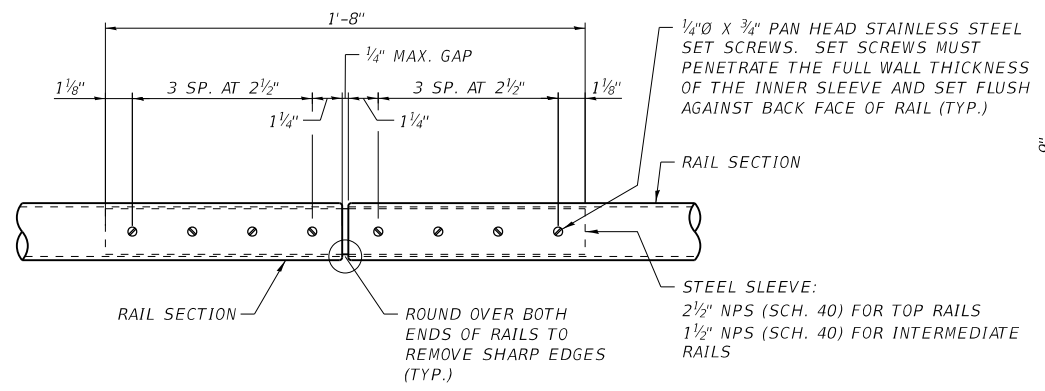
ELEVATION



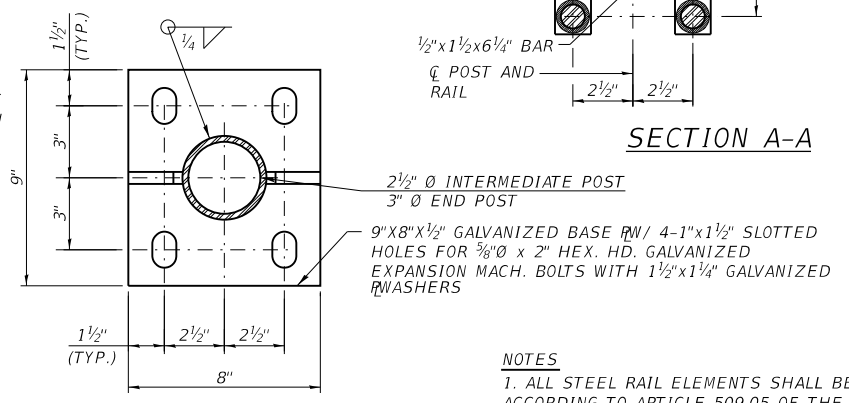
SECTION A-A



DETAIL A DETAIL B DETAIL C



DETAIL E - HANDRAIL SPLICE CONNECTION



DETAIL - WALL MOUNTED POST

NOTES
1. ALL STEEL RAIL ELEMENTS SHALL BE GALVANIZED ACCORDING TO ARTICLE 509.05 OF THE IDOT STANDARD SPECIFICATIONS.

MODEL: 7D
 FILE NAME: P:\040058 - IDOT\040058-01-002 (ENG) - PTB 195-016 Phase II Var Var\Engr\dwg\WO 1 - LB24L2B500 Drawings\501_CADD Drawings\DWG\M69-RW Wall Rail Detail.dwg
 311 S. Wacker Drive, Suite 1950
 Chicago, Illinois 60606
 312-474-0500
 www.bowmanconsulting.com



USER NAME = khejmanek	DESIGNED - AS	REVISED -
DRAWN - AHT	REVISED -	
PLOT SCALE = 8:0 1" / in.	CHECKED - AJN	REVISED -
PLOT DATE = 3/10/2021	DATE - 3/11/2021	REVISED -

**STATE OF ILLINOIS
DEPARTMENT OF TRANSPORTATION**

**WALL RAILING AND DETAILS
RETAINING WALL - STRUCTURE NO.022-W001**

SCALE: SHEET RET-8 OF RET-11 SHEETS STA. TO STA.

F.A.P. RTE.	SECTION	COUNTY	TOTAL SHEETS	SHEET NO.
344	2020-196-T	DUPAGE	122	73
ILLINOIS FED. AID PROJECT			CONTRACT NO. 62M69	

RET-08