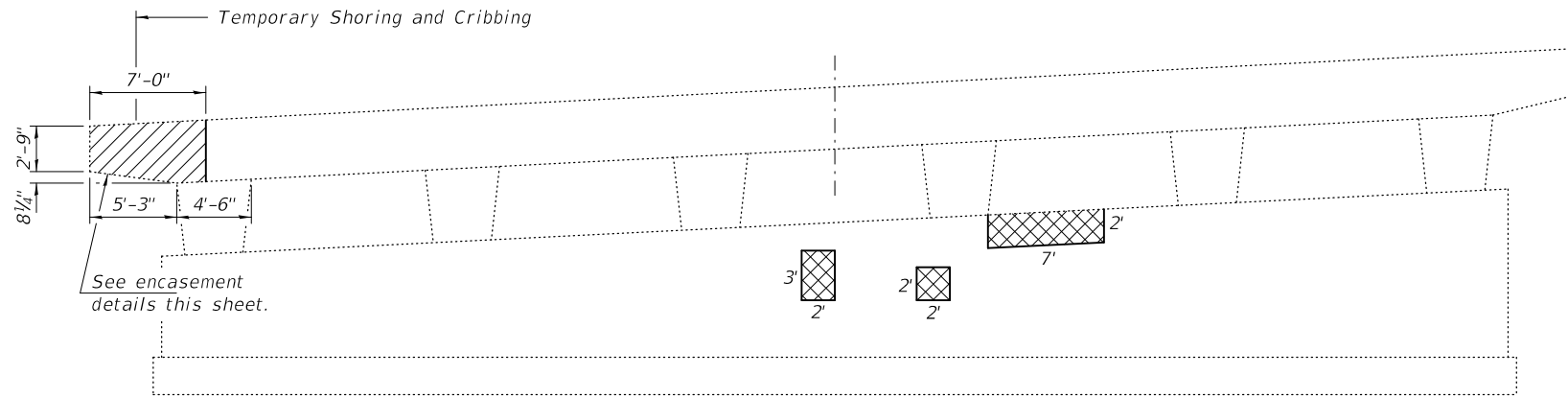


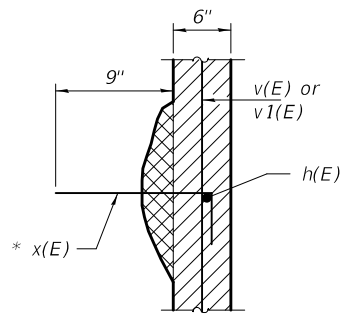
PIER 1  
(Looking West)



PIER 2  
(Looking West)

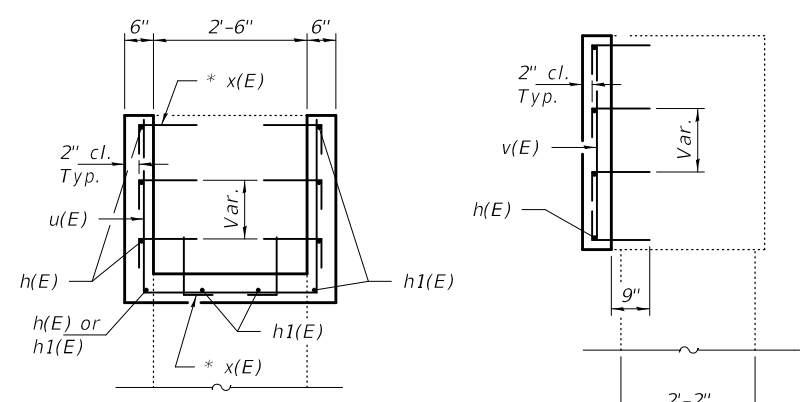
BEAM REACTIONS		
R <sub>p</sub>	(K)	179.1
R <sub>t</sub>	(K)	68.0
Imp.	(K)	20.5
R (Total)	(K)	267.6

Entire sheet revised.



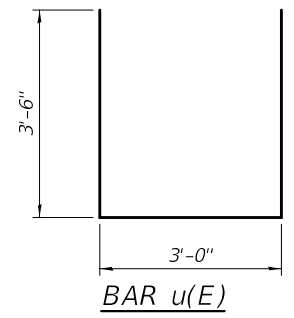
REPAIR DETAIL

- Concrete in this area to be paid as Concrete Structures.
- Concrete in this area is included with Structural Repair of Concrete (Depth ≤ 5").

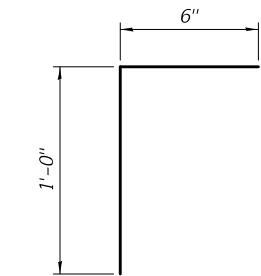


SEC B-B

SEC A-A

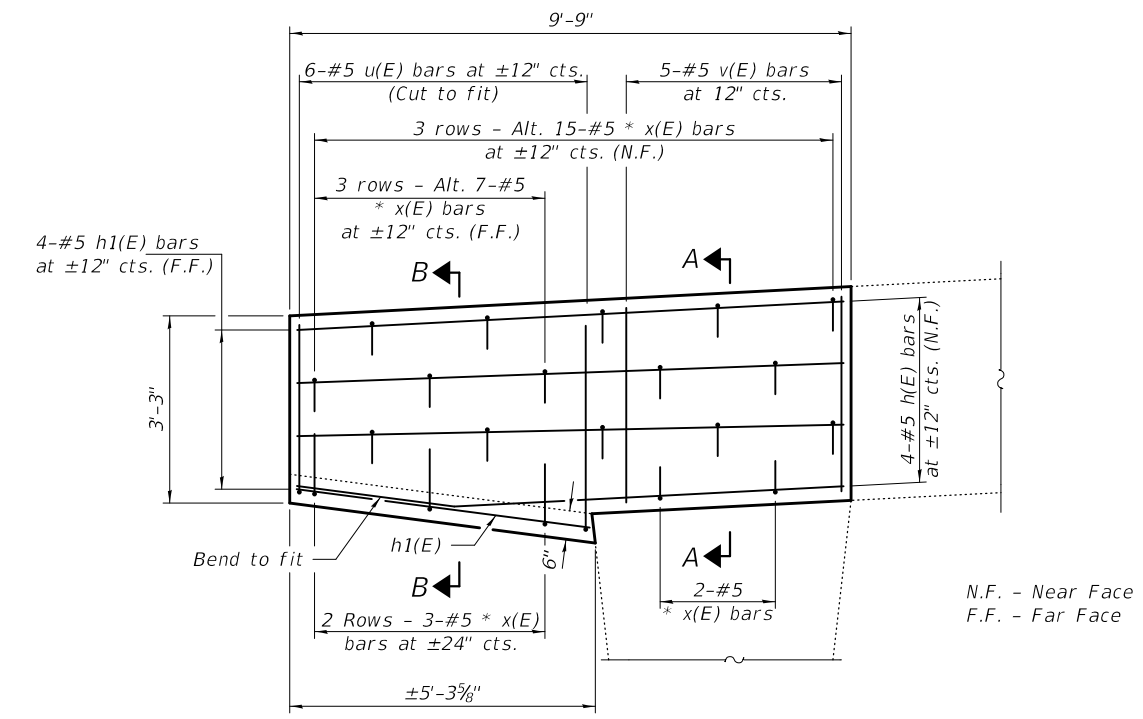


BAR u(E)

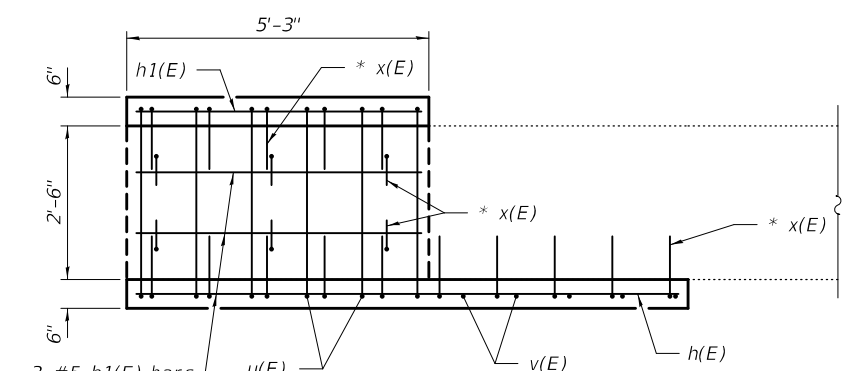


BAR x(E)

\* Epoxy grout n(E) bars in 9" min. holes according to Article 584 of the Standard Specifications.



ELEVATION



PLAN

BILL OF MATERIAL

Bar	No.	Size	Length	Shape
h(E)	4	#5	9'-5"	—
h1(E)	7	#5	4'-11"	—
u(E)	6	#5	10'-0"	—
v(E)	5	#5	3'-4"	—
x(E)	30	#5	1'-6"	—
Concrete Structures			Cu. Yd.	1.4
Reinforcement Bars, Epoxy Coated			Pound	200
** Structural Repair of Concrete (Depth ≤ 5")			Sq. Ft.	160
Temporary Shoring and Cribbing			Each	1

\*\* Includes a 50% contingency.