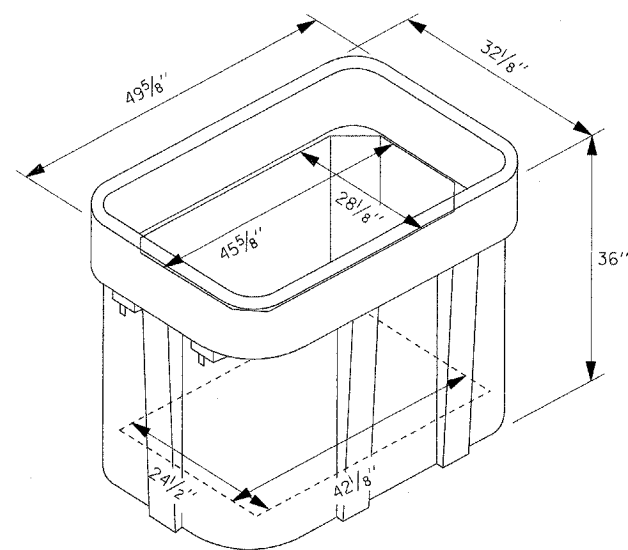
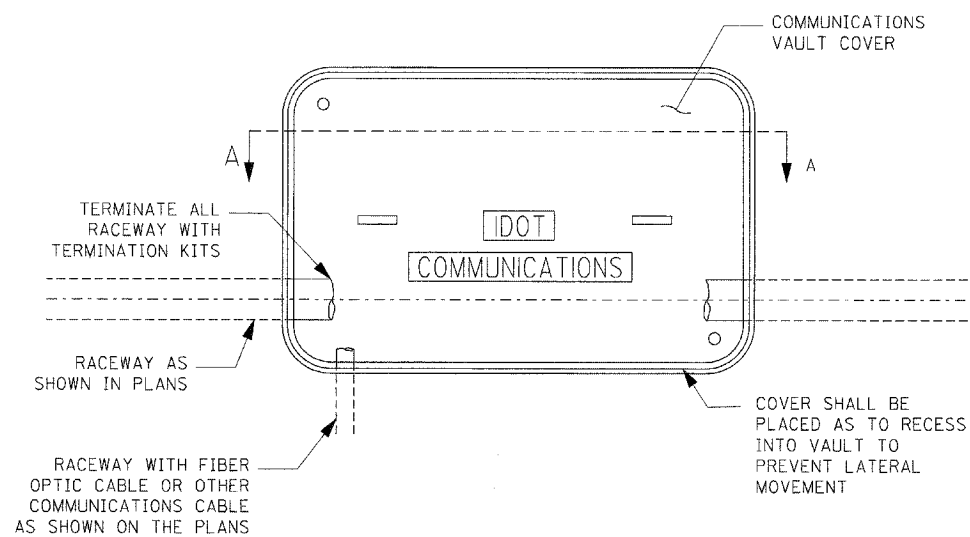


SECTION A-A



ISOMETRIC



PLAN

NOTES:

1. BOX SHALL HAVE AN OPEN BASE.
2. COVER SHALL WITHSTAND A 22,500/33,750 DESIGN/TEST LOADING AND SHALL LOCK.
3. ALL OPENINGS IN STRUCTURE MUST BE MACHINED AT TIME OF FABRICATION OR PUNCH DRIVEN AT TIME OF PLACEMENT. IN ACCORDANCE WITH MANUFACTURER RECOMMENDATIONS.
4. FIELD PLACEMENT OF COMMUNICATIONS VAULT SHALL BE AS DIRECTED BY THE ENGINEER.
5. ALL DIMENSIONS ARE MINIMUM AND A LARGER SIZE HANDHOLE MAY BE USED, WITH THE APPROVAL OF THE ENGINEER, TO FACILITATE USING A MANUFACTURER'S STANDARD PRODUCT.

FILE NAME =	USER NAME = tomsonsr	DESIGNED -	REVISED - $\Delta$ ADDENDUM	<b>STATE OF ILLINOIS DEPARTMENT OF TRANSPORTATION</b>	HANDHOLE, COMPOSITE CONCRETE	F.A. RTE.	SECTION	COUNTY	TOTAL SHEETS	SHEET NO.	
cc:\pwork\p\1007\TOMSONSR\20127428\15908-1.rvt.dgn		DRAWN -	REVISED -			55	2007-0621	*		70	
PLOT SCALE = 50.0000' / IN.		CHECKED -	REVISED -			CONTRACT NO. 60E01					
PLOT DATE = 5/13/2009		DATE -	REVISED -			ILLINOIS FED. AID PROJECT					
					SCALE:	SHEET NO.	OF	SHEETS	STA.	TO STA.	