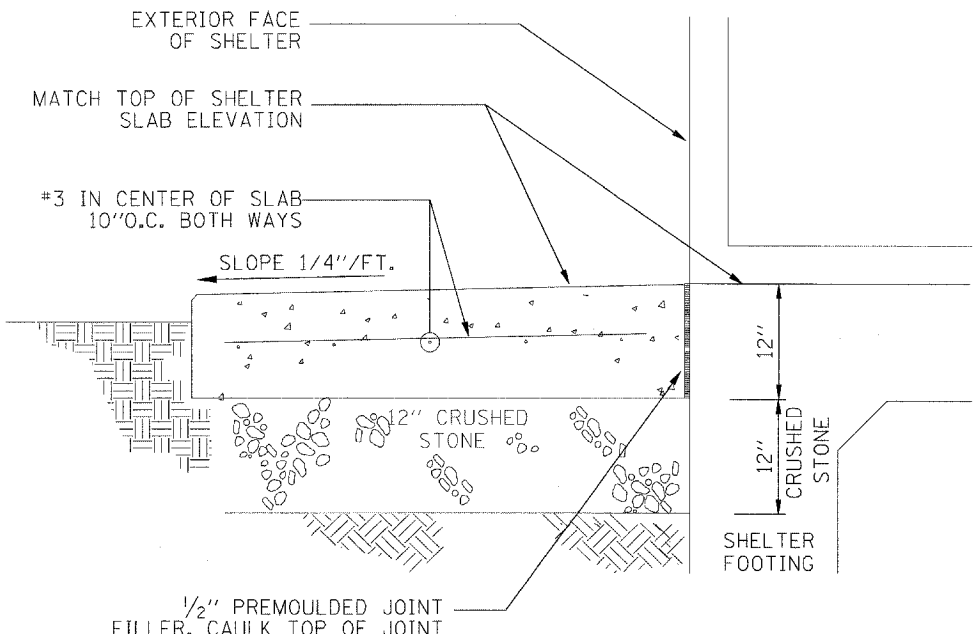
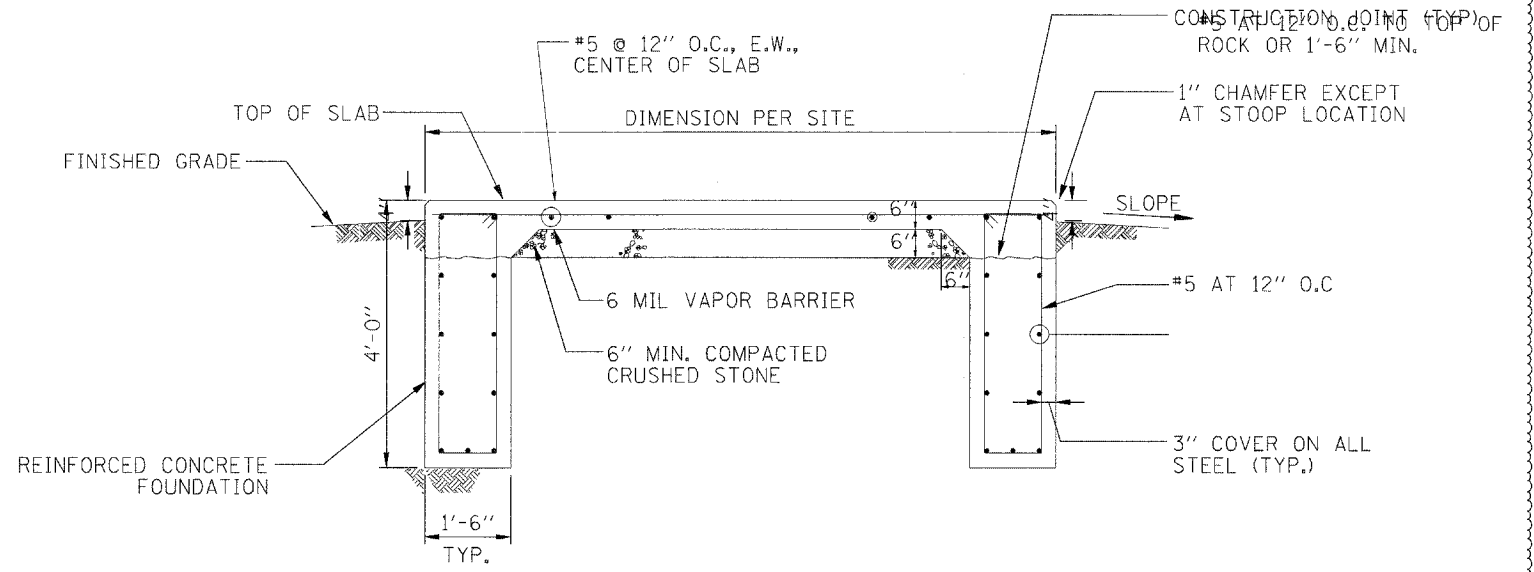


CONDUIT ENTRANCE DETAIL
NOT TO SCALE



CONCRETE STOOP DETAIL
NOT TO SCALE



FOUNDATION DETAIL
NOT TO SCALE

- NOTES:
1. CONTRACTOR SHALL DEBURR ALL SHARP EDGES AND HOLES.
 2. SURFACING OF FINISHED SLAB SHALL BE LEVEL & FLAT WITHIN +/- 1/4".
 3. CONTRACTOR SHALL COORDINATE THE INSTALLATION OF SHELTER ON TO ITS FOUNDATION WITH THE SHELTER FABRICATOR.
 4. ALL REINFORCING BARS SHALL BE EPOXY COATED AND SHALL BE WIRE LASHED AT ALL INTERSECTIONS.
 5. IF ROCK IS ENCOUNTERED, CONTRACTOR SHALL CONTACT ENGINEER IMMEDIATELY. DO NOT PROCEED UNTIL ENGINEER ISSUES REVISED FOUNDATION DESIGN BASED ON SUBSURFACE CONDITIONS.
 6. COORDINATE CONDUIT ENTRY LOCATION WITH ENGINEER PER SITE PLAN DETAIL SHEET AND COMMUNICATION SHELTER FOUNDATION.

FILE NAME =	USER NAME = tomsonre	DESIGNED -	REVISED -	STATE OF ILLINOIS DEPARTMENT OF TRANSPORTATION	COMMUNICATIONS SHELTER DETAILS				F.A. RTE.	SECTION	COUNTY	TOTAL SHEETS	SHEET NO.
51\pwwork\pww\DOT\TOMSONSRE\d0127928\15908-11gh.txdgn	PLOT SCALE = 50,0000' / IN.	DRAWN -	REVISED -						55	2007-062I		73b	73b
	PLOT DATE = 5/13/2009	CHECKED -	REVISED -		CONTRACT NO. 60E01								
		DATE -	REVISED -		ILLINOIS FED. AID PROJECT								
					SCALE:	SHEET NO.	OF	SHEETS	STA.	TO STA.	* WILL, DUPAGE, COOK		