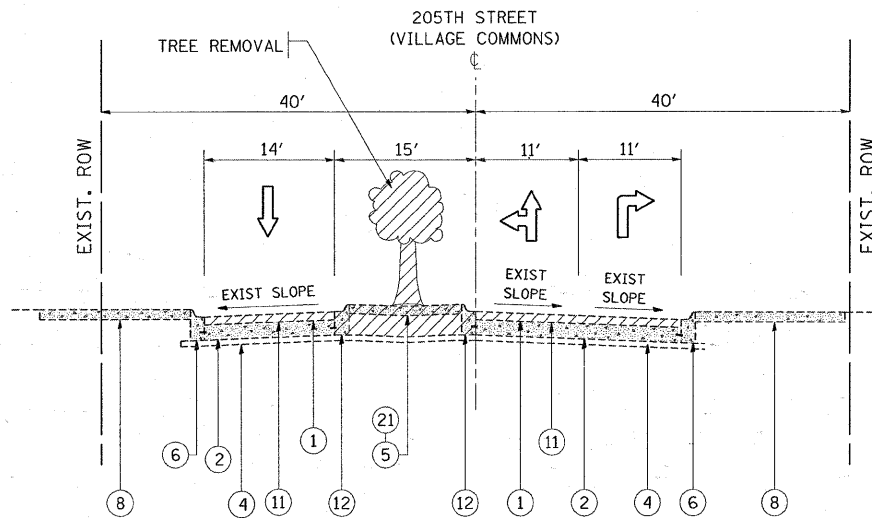


EXISTING TYPICAL SECTION  
MORNING GLORY DRIVE/205TH STREET (EAST LEG)



EXISTING TYPICAL SECTION  
VILLAGE COMMONS/205TH STREET (WEST LEG)  
STA. 5+74 TO STA. 10+00

\* MEDIAN TO BE REMOVED  
STA. 8+50.95 TO STA. 9+41.95

### LEGEND

- ① EXISTING HMA SURFACING, 3"±
- ② EXISTING CONCRETE BASE COURSE, 10"
- ③ EXISTING HMA SHOULDER, 10"
- ④ EXISTING STABILIZED SUB-BASE, 4"
- ⑤ EXISTING CONCRETE MEDIAN, 4"
- ⑥ EXISTING COMB. CONC. C & G, TYPE B-6.12
- ⑦ EXISTING PCC SIDEWALK, 5"
- ⑧ EXISTING BRICK SIDEWALK
- ⑨ EXISTING SWALE/DITCH
- ⑩ EXISTING SPBGR, TYPE A
- ⑪ PROP. HMA SURFACE REMOVAL, 3"
- ⑫ PROP. COMB. CURB & GUTTER REMOVAL
- ⑬ PROP. CONCRETE MEDIAN SURFACE, 4"
- ⑭ PROP. COMB. CONC. CURB & GUTTER, TYPE B-6.12
- ⑮ PROP. COMB. CONC. CURB & GUTTER, TYPE M-6.24
- ⑯ PROP. SUB-BASE GRANULAR MATERIAL, TYPE B, 4"
- ⑰ PROP. PCC BASE COURSE, 10"
- ⑱ PROP. LEVELING BINDER (MACHINE METHOD), N70, 1"
- ⑲ PROP. HMA SURFACE COURSE, MIX "D" N70, 2"
- ⑳ PROP. PCC SIDEWALK, 5"
- ㉑ PROP. PCC MEDIAN REMOVAL
- ㉒ PROP. PAVED SHOULDER REMOVAL
- ㉓ PROP. PAVEMENT REMOVAL
- ㉔ PROP. CONCRETE MEDIAN, TYPE SB-6.12  
STA. 97+05 TO STA. 99+44  
STA. 100+65 TO STA. 103+05

NOTES:

ADDITIONAL SUB-BASE GRANULAR MATERIAL UNDER PROPOSED CURB AND GUTTER SHALL NOT BE PAID FOR SEPARATELY BUT WILL BE CONSIDERED AS INCLUDED IN THE COST PER SQUARE YARD OF "SUB-BASE GRANULAR MATERIAL, TYPE B, 4"

ANY SAW CUTTING REQUIRED TO REMOVE AN ITEM ADJACENT TO AN ITEM TO BE SAVE WILL BE CONSIDERED AS PART OF THE REMOVAL ITEM AND WILL NOT BE PAID FOR SEPARATELY.

TURF RESTORATION SHALL NOT BE PAID FOR SEPARATELY BUT WILL BE CONSIDERED AS INCLUDED IN THE COST PER LINEAL FOOT OF COMBINATION CONCRETE CURB AND GUTTER TYPE B-6.12 & TYPE M-6.24.

"THE CONTRACTOR SHALL PATCH FIRST BEFORE MILLING".

DENOTES REMOVAL ITEM SEE PLAN SHEETS FOR EXACT LOCATIONS

FILE NAME =	USER NAME = galbannb	DESIGNED -	REVISED -	<b>STATE OF ILLINOIS DEPARTMENT OF TRANSPORTATION</b>	<b>IL 50 (CICERO AVENUE) EXISTING TYPICAL SECTION</b>	F.A.P. RTE.	SECTION	COUNTY	TOTAL SHEETS	SHEET NO.
or\pwork\PWIDOT\GALBANNB\dms88605\de	ign_00.dgn	DRAWN -	REVISED -			350	101W-EXT-R-1	COOK	40	8
PLOT SCALE = 50,0000' / IN.		CHECKED -	REVISED -			CONTRACT NO. 60F14				
PLOT DATE = 3/25/2009		DATE -	REVISED -			FED. ROAD DIST. NO. 1 ILLINOIS FED. AID PROJECT				
				SCALE:	SHEET NO.	OF	SHEETS	STA.	TO STA.	