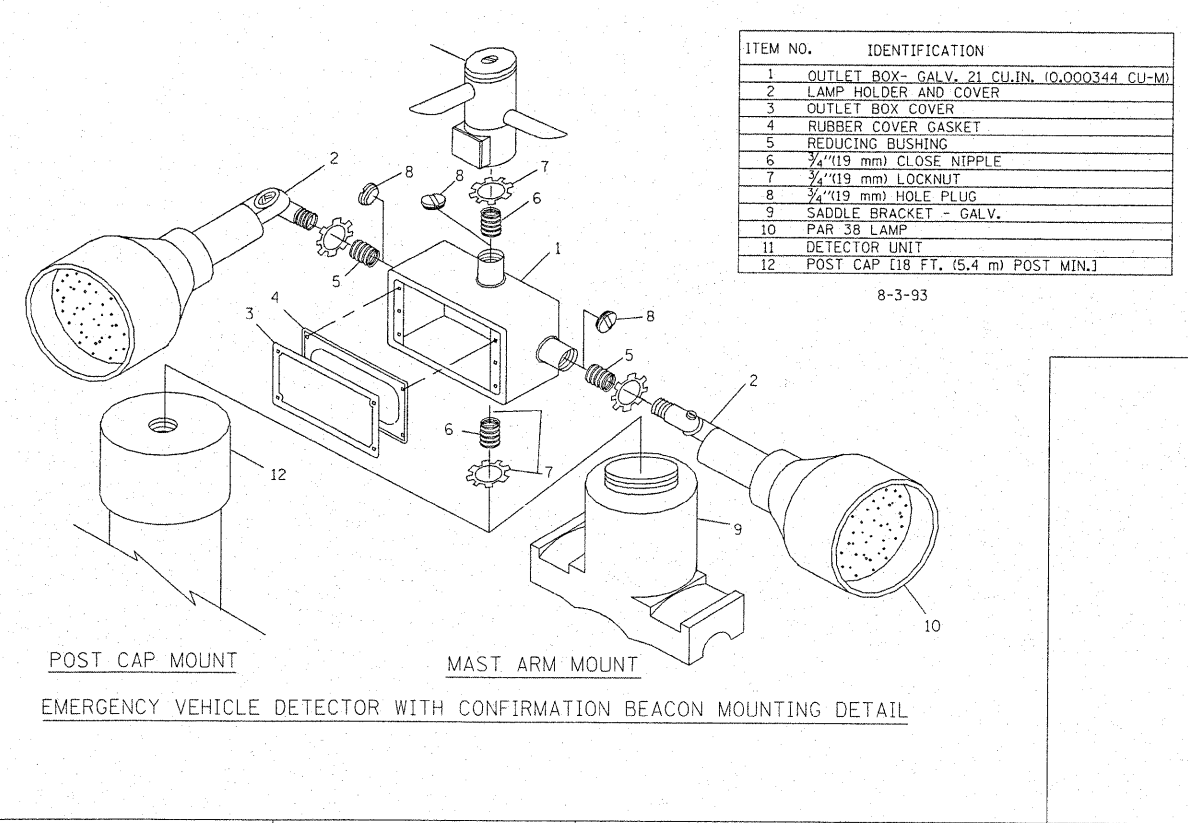
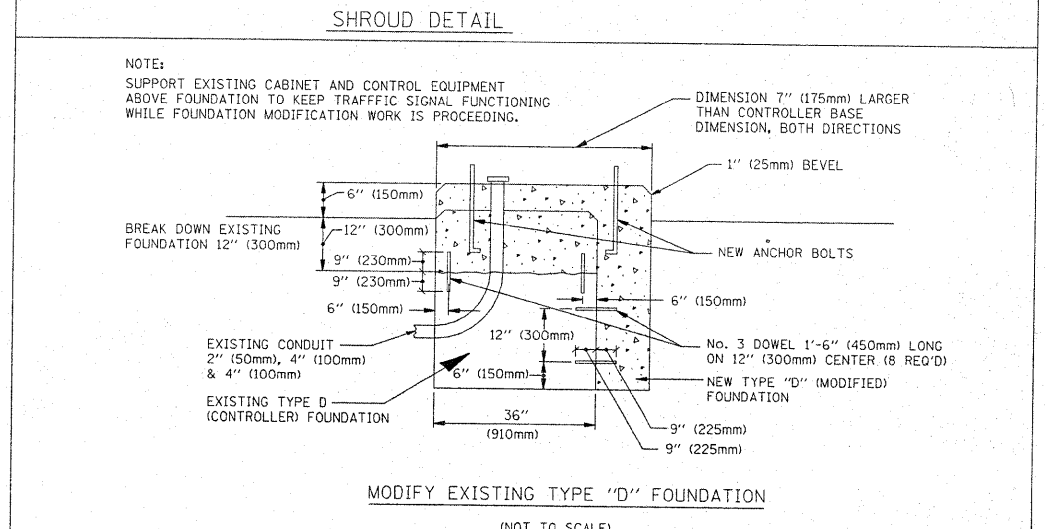
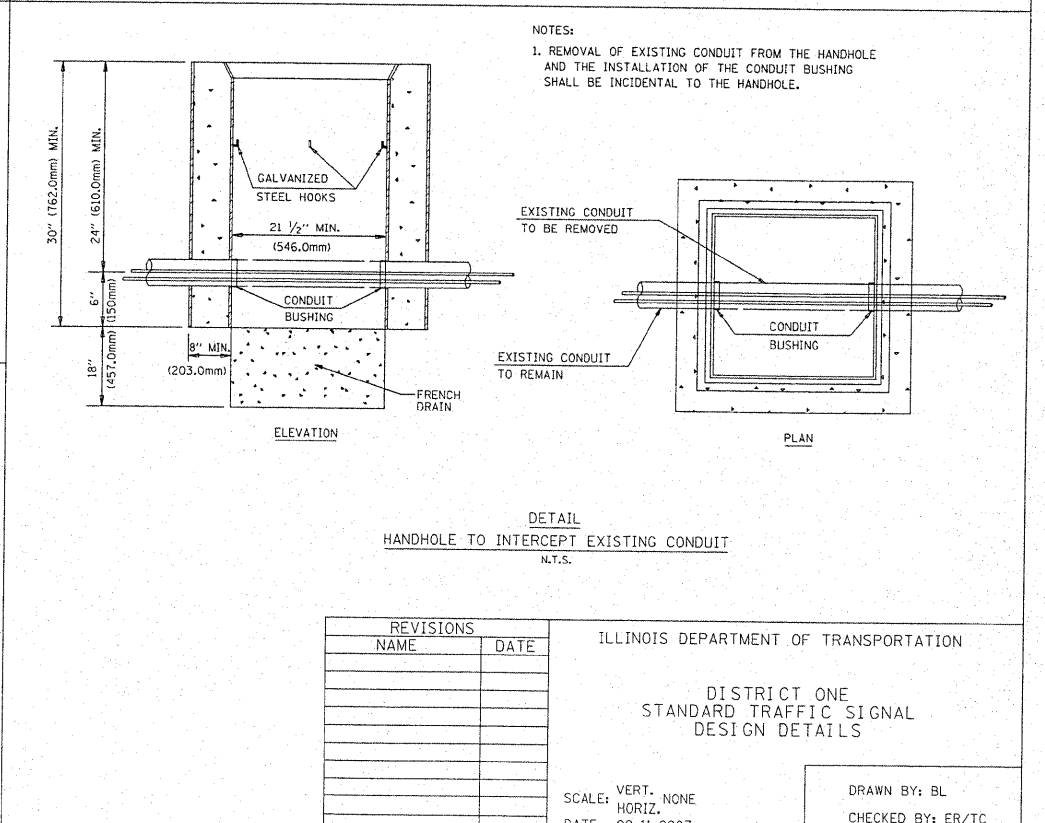
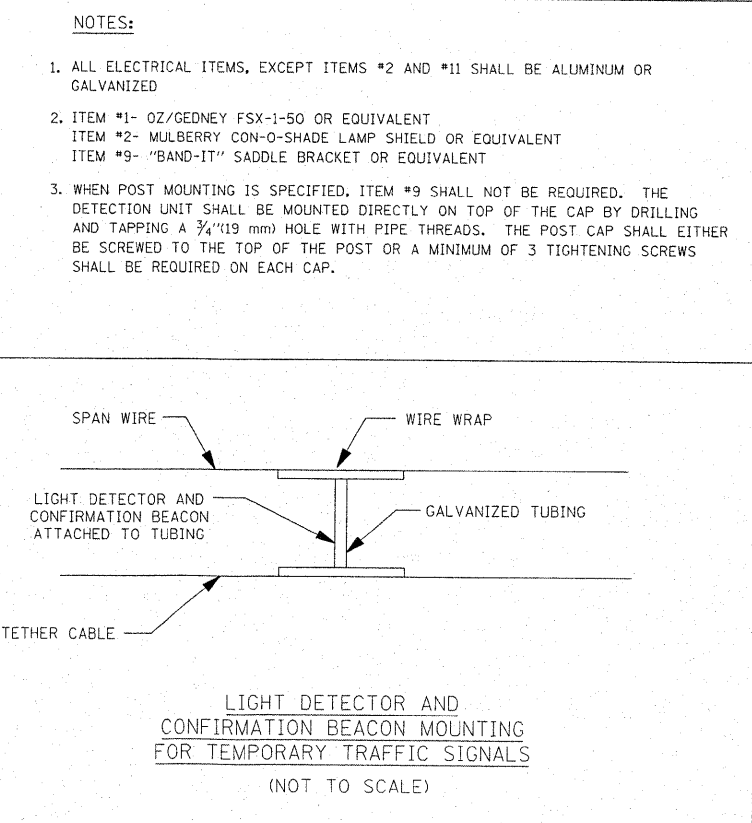


TYPE	A	B	C	HEIGHT	WEIGHT
I	∅ 10.125\"(257mm)	9.5\"(241mm)	19\"(483mm)	12\"(300mm)	24kg
II	∅ 11.125\"(283mm)	10.75\"(273mm)	21.5\"(546mm)	12\"(300mm)	26kg



ITEM NO.	IDENTIFICATION
1	OUTLET BOX- GALV. 21 CU.IN. (0,000344 CU-M)
2	LAMP HOLDER AND COVER
3	OUTLET BOX COVER
4	RUBBER COVER GASKET
5	REDUCING BUSHING
6	3/4\"(19 mm) CLOSE NIPPLE
7	3/4\"(19 mm) LOCKNUT
8	3/4\"(19 mm) HOLE PLUG
9	SADDLE BRACKET - GALV.
10	PAR 38 LAMP
11	DETECTOR UNIT
12	POST CAP [18 FT. (5.4 m) POST MIN.]



FILE NAME =	USER NAME = #USER#	DESIGNED - NB/TCM	REVISED -
#FILE#		DRAWN - NB/TCM	REVISED -
	PLOT SCALE = #SCALE#	CHECKED - NB/TCM	REVISED -
	PLOT DATE = #DATE#	DATE - 03/13/2009	REVISED -

**STATE OF ILLINOIS
DEPARTMENT OF TRANSPORTATION**

DISTRICT ONE STANDARD TRAFFIC SIGNAL DESIGN DETAILS		F.A.P. RTE. 350	SECTION 101W-EXT-R-1	COUNTY COOK	TOTAL SHEETS 40	SHEET NO. 19
SCALE: VERT. NONE HORIZ. DATE 09-11-2007	DRAWN BY: BL CHECKED BY: ER/TC	CONTRACT NO. 60F14		ILLINOIS FED. AID PROJECT		