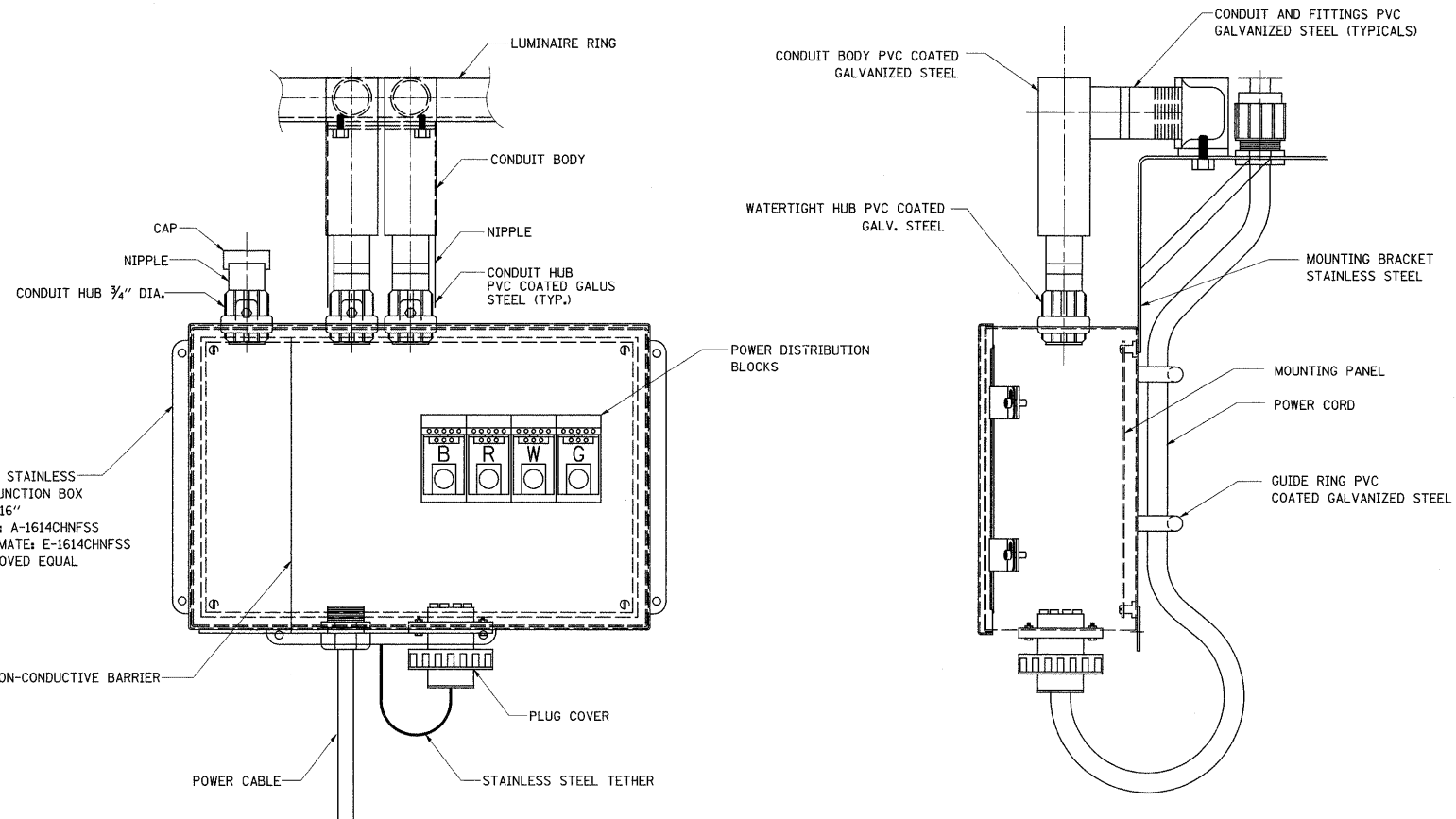


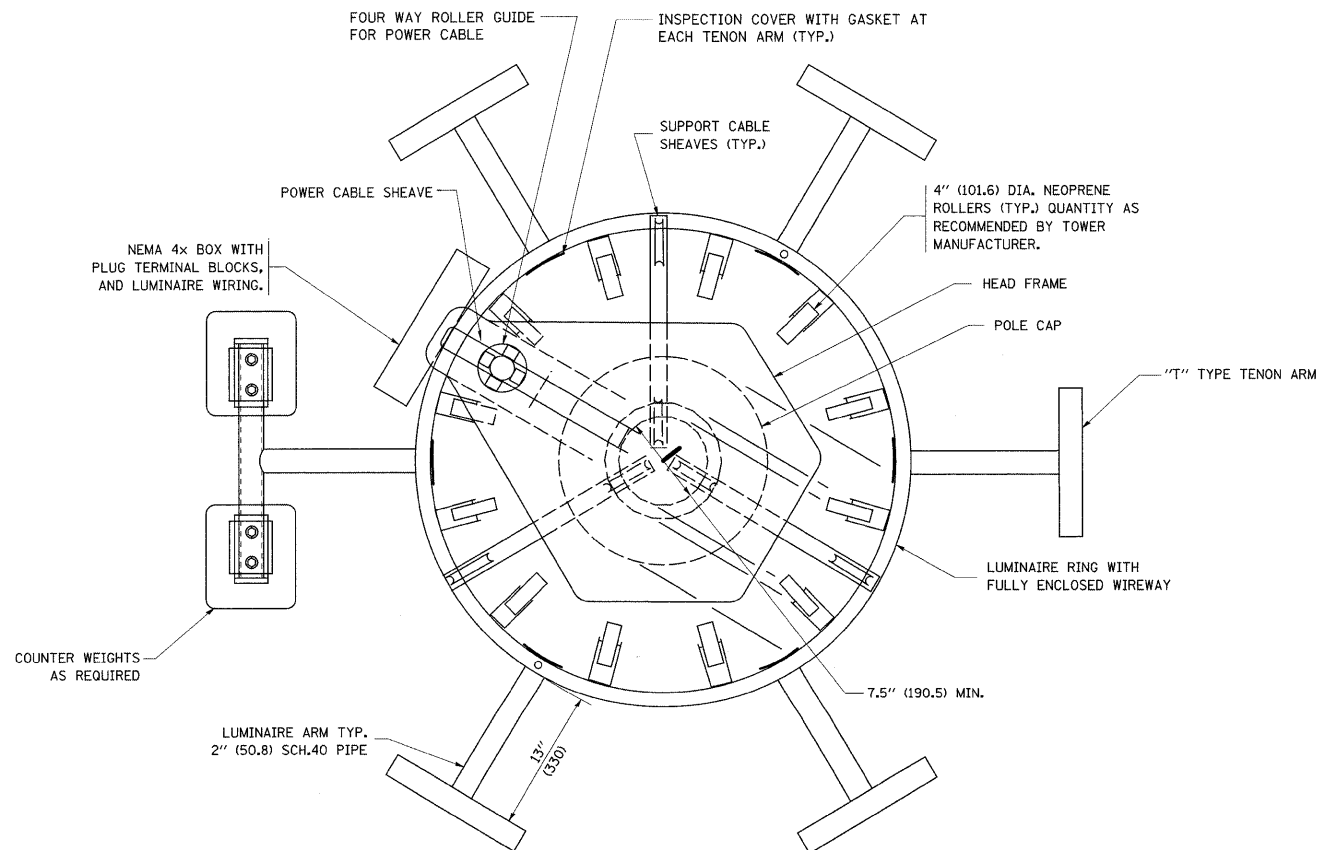
DETAIL--"D"



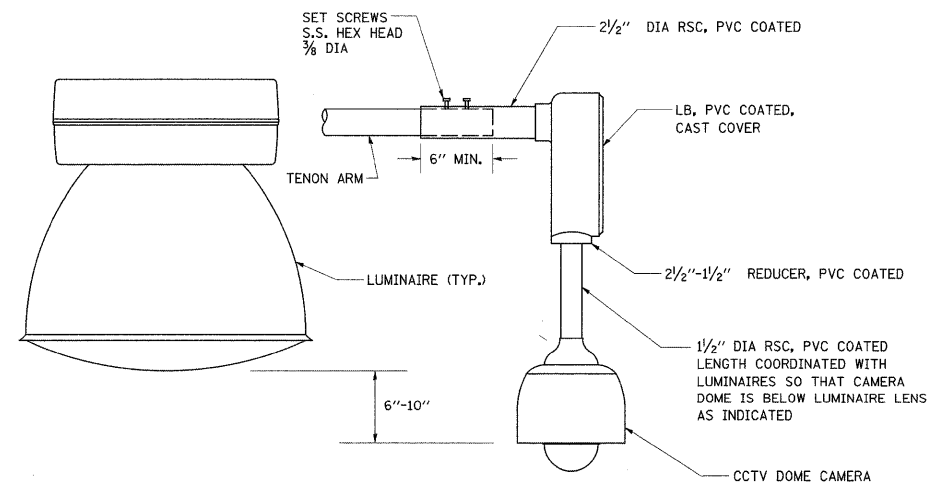
FRONT VIEW

SIDE VIEW

LUMINAIRE RING TERMINAL BOX



SECTION A-A



CCTV CAMERA MOUNTING DETAIL

NOTES:

1. LUMINAIRE WIRES SHALL EXTEND 24 INCHES (609 mm) LONGER THAN THEIR RESPECTIVE TENON ARM AND SHALL BE TRAINED BACK INTO THE ARM WHICH SHALL THEN BE CLOSED WITH A CAP AS SPECIFIED. ALL WIRES SHALL BE CAPPED WITH HEAT SHRINK INSULATING BOOTS, CRIMP CAPS ARE UNACCEPTABLE. ALL RING WIRES SHALL BE TAGGED WITH WIRE MARKERS AT BOTH ENDS. THE TENON ARMS SHALL ALSO BE TAGGED CORRESPONDING TO THE WIRING CONTAINED WITHIN.
2. SPLICING WILL NOT BE ALLOWED WITHIN THE LUMINAIRE RING.
3. ALL TOWER SHAFT HARDWARE, SUCH AS GROUND LUGS, JUNCTION BOXES, HARDWARE FOR THE HANDHOLE DOOR, INCLUDING THE HANDLE/LATCH MECHANISM, HINGE AND DOOR STOP, SHALL BE STAINLESS STEEL. ALL CONDUIT AND CONDUIT FITTINGS SHALL BE PVC COATED GALVANIZED STEEL.
4. ALL MULTI-CONDUCTOR CABLES SHALL BE FITTED WITH A HEAT-SHRINK MULTI-LEG BOOT. THE BOOT SHALL MEET MILITARY SPECIFICATION MIL-I-81765/1.

FILE NAME = c:\pwwork\pwwid\LEYS\08106315\be502.dgn	USER NAME = leysa	DESIGNED - DRAWN -	REVISD - R. TOMSONS 08-04-03	STATE OF ILLINOIS DEPARTMENT OF TRANSPORTATION	HIGH MAST LIGHT TOWER 90 FT TO 120 FT (27 m TO 36 m)			F.A. - RTE. I-57	SECTION 2008-082 L	COUNTY Cook/Will	TOTAL SHEETS 49	SHEET NO. 46
PLOT SCALE = 50.0000' / IN.	CHECKED -	DATE -	REVISD -		SCALE: NONE	SHEET NO. 2 OF 3 SHEETS	STA. TO STA.	FED. ROAD DIST. NO. 1 ILLINOIS FED. AID PROJECT				
PLOT DATE = 4/17/2009	REVISD -	REVISD -	REVISD -		BE-500							
CONTRACT NO. 60F84												