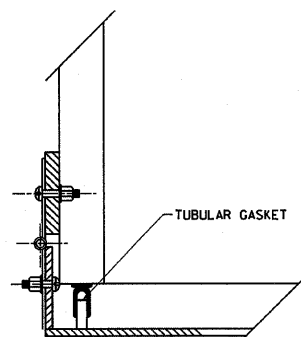
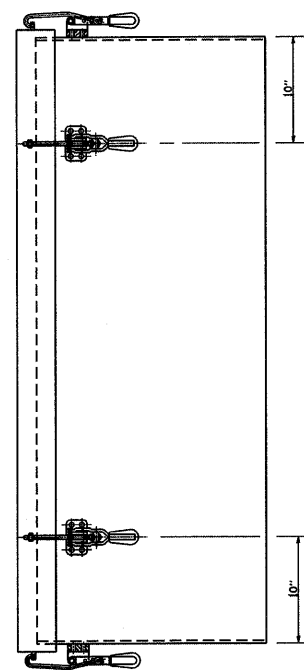


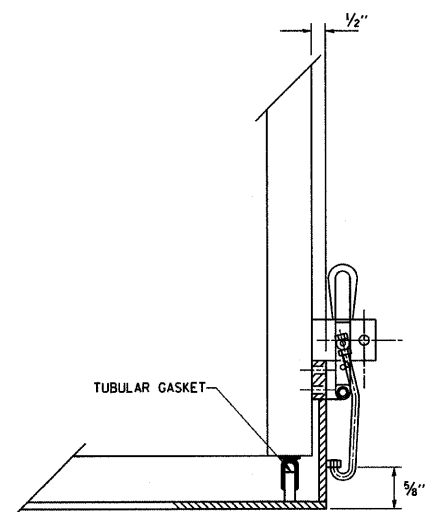
TOP VIEW



HINGE DETAIL

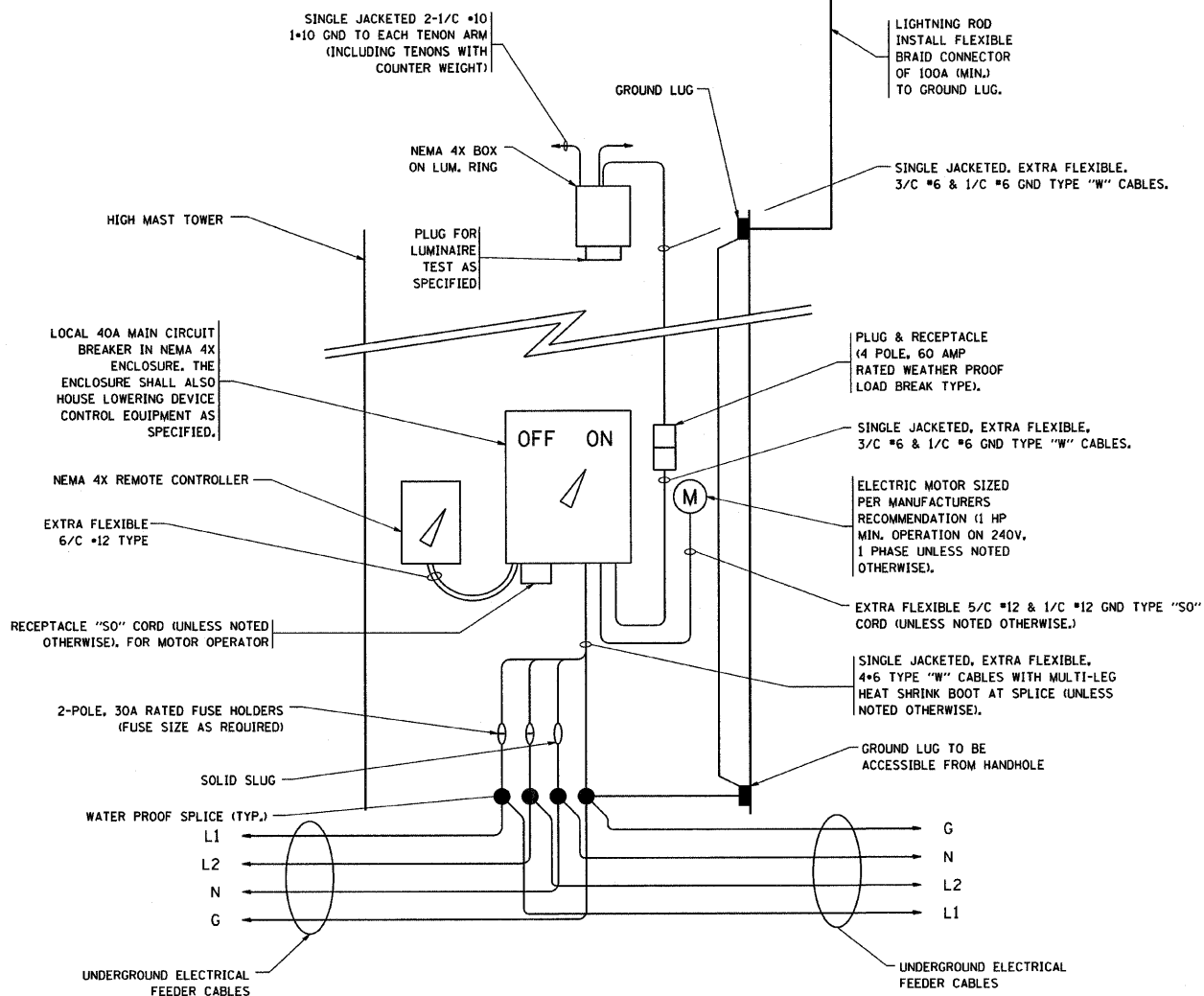


SIDE VIEW

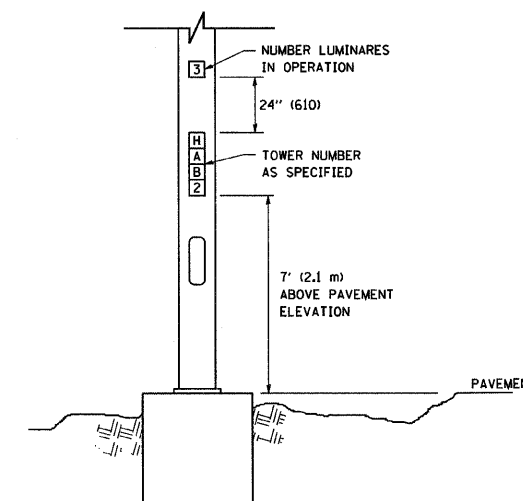


LATCH DETAIL

HANDHOLE DOOR DETAILS



HIGH MAST POLE WIRING DIAGRAM



LIGHT TOWER NUMBERING DETAIL

FILE NAME = W:\diststd\22x34\be500.dgn

USER NAME = gaglianob

DESIGNED -

REVISED - R. TOMSONS 08-04-03

DRAWN -

REVISED -

CHECKED -

REVISED -

PLOT DATE = 1/4/2008

DATE -

REVISED -

STATE OF ILLINOIS  
DEPARTMENT OF TRANSPORTATION

HIGH MAST LIGHT TOWER  
90 FT TO 120 FT (27 m TO 36 m)

SCALE: NONE

SHEET NO. 3 OF 3 SHEETS STA. TO STA.

F.A. RTE.	SECTION	COUNTY	TOTAL SHEETS	SHEET NO.
157	2008-082L	COOK/WILL	49	47
BE-500		CONTRACT NO. 60F84		
FED. ROAD DIST. NO. 1 (ILLINOIS) FED. AID PROJECT				