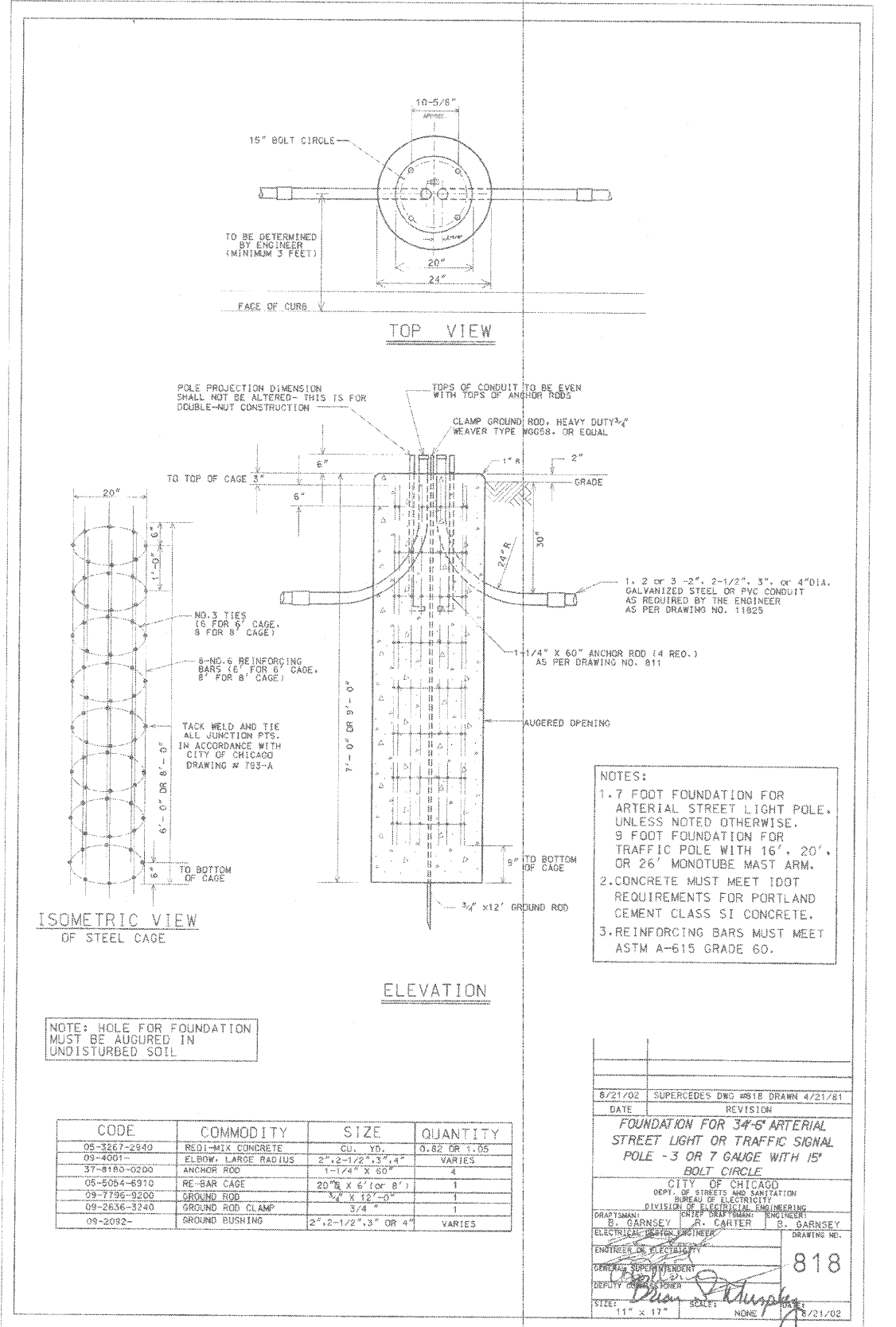
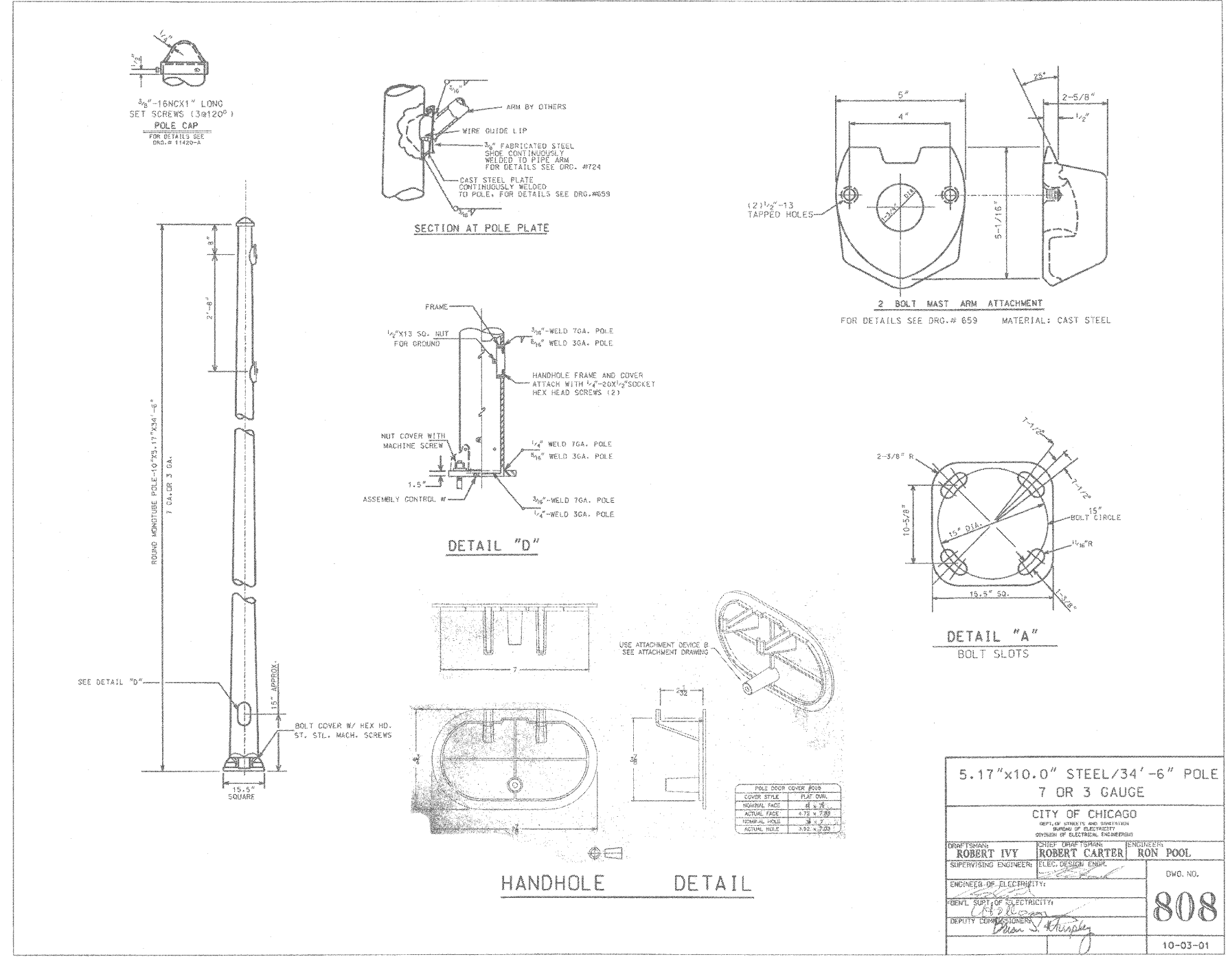


**REGINA WEBSTER AND ASSOC. INC.**  
 CIVIL ENGINEERING CONSULTANTS  
 510 North Cicero Avenue, Suite 500  
 Chicago, Illinois 60623-1869

**RWA**  
 Regina Webster & Associates, Inc.



**NOTES:**

- 1.7 FOOT FOUNDATION FOR ARTERIAL STREET LIGHT POLE, UNLESS NOTED OTHERWISE.
- 9 FOOT FOUNDATION FOR TRAFFIC POLE WITH 16', 20', OR 26' MONOTUBE MAST ARM.
- CONCRETE MUST MEET IDOT REQUIREMENTS FOR PORTLAND CEMENT CLASS SI CONCRETE.
- REINFORCING BARS MUST MEET ASTM A-615 GRADE 60.

5.17"x10.0" STEEL/34'-6" POLE  
 7 OR 3 GAUGE

**CITY OF CHICAGO**  
 DEPT. OF STREETS AND SANITATION  
 BUREAU OF ELECTRICITY  
 DIVISION OF ELECTRICAL ENGINEERING

DRYFTSMAN: **ROBERT IVY**  
 CHIEF DRAFTSMAN: **ROBERT CARTER**  
 ENGINEERS: **RON POOL**

SUPERVISING ENGINEER: *[Signature]*  
 ENGINEER OF ELECTRICITY: *[Signature]*  
 DEPT. Supt. OF ELECTRICITY: *[Signature]*  
 DEPUTY COMMISSIONER: *[Signature]*

DWG. NO. **808**  
 10-03-01

FILE NAME =	USER NAME = #USER#	DESIGNED = JS	REVISED = ---
9FT.FI 4		DRAWN = DW	REVISED = ---
	PLOT SCALE = #SCALE#	CHECKED = JD	REVISED = ---
	PLOT DATE = #DATE#	DATE = 03/27/09	REVISED = ---

**STATE OF ILLINOIS  
 DEPARTMENT OF TRANSPORTATION**

**BUREAU OF ELECTRICITY STANDARD DETAILS  
 TRAFFIC SIGNAL IMPROVEMENT PLAN**

SCALE: NONE SHEET NO. 9 OF 13 SHEETS STA. \_\_\_\_\_ TO STA. \_\_\_\_\_

F.A.P. RTE.	SECTION	COUNTY	TOTAL SHEETS	SHEET NO.
389	2009-031-TS	COOK	13	9
FED. ROAD DIST. NO. -	ILLINOIS FED. AID PROJECT		CONTRACT NO. 60C31	