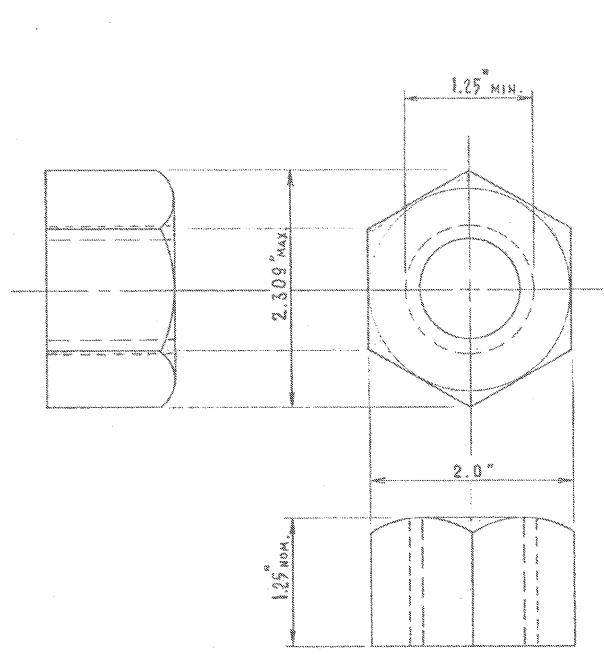
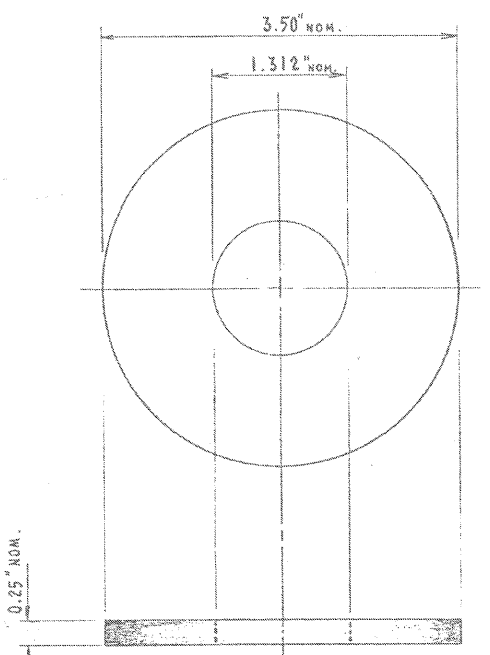


RWA
Regina Webster & Associates, Inc.

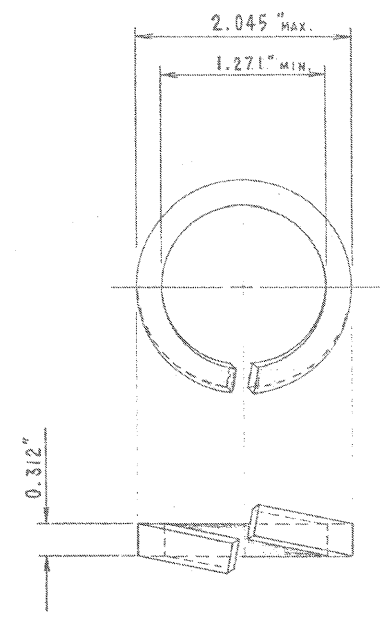
REGINA WEBSTER
AND ASSOC. INC.
CIVIL ENGINEERING CONSULTANTS
660 North Cicero Avenue, Suite 500
Chicago, Illinois 60631-569



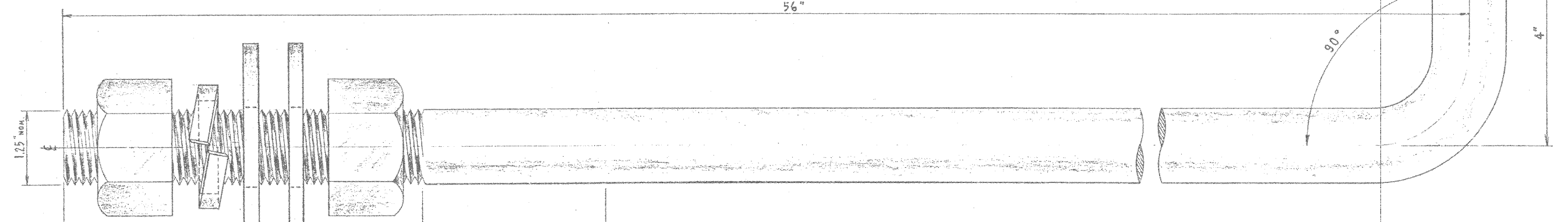
HEXAGON NUT
AMER. NAT'L. STD. HEAVY HEX. FLAT NUT
(ANSI B 18.2.2 - 1972)



FLAT WASHER
AMER. NAT'L. STD. TYPE "B"
SERIES "W"
(ANSI B 18.22.1-1965, R1975)



LOCK WASHER
AMER. NAT'L. STD. HELICAL SPRING LOCK WASHER
(ANSI B 18.21.1 - 1972)



U.S. STANDARD 1/4"-7 N.C. ROLLED THREAD

A ZINC COATING, 0.0021 INCH IN THICKNESS SHALL BE APPLIED OVER THIS LENGTH AND COVERED WITH HEAVY NO-OX-ID, OR EQUAL, RUST INHIBITING COMPOUND

MATERIAL:

ASTM A400, CLASS R-2 MODIFIED STEEL, 55 000 LBS. MINIMUM YIELD.

HARDWARE TO BE FURNISHED & ATTACHED IN PLACE ON ROD FOR SHIPPING:
2 HEX. NUTS, HEAVY, GALV., 1/4"
2 WASHERS, STEEL, ROUND, GALV., TYPE "B", SERIES "W", 1/4"
1 WASHER, LOCK, STEEL, GALV., HELICAL SPRING, REGULAR, 1/4"

BOLT & NUTS SHALL HAVE AN AMERICAN STANDARD CLASS 2 OR 3 FIT.
(NUT IS TAPPED OVERSIZE BY 1/32")

1/4" x 60"
STEEL ANCHOR ROD
COMMODITY CODE 37-8180-0236

REVISED	CITY OF CHICAGO DEPT. OF STREETS AND SANITATION BUREAU OF ELECTRICITY DIVISION OF ELECTRICAL ENGINEERING		
A	JULY 29, 1982	ENGINEER	M. SHINE
B		CHECKED	A. DURLIN
C		DRAWN	EUGENE GERULIS
D		ELCC DESIGN ENGINEER	
E		ENGINEER OF ELECTRICAL	
F		DEPT. OF PERMITS	
G		DEPT. OF PERMITS	

SIZE 17" x 28" SCALE DATE AUG. 3, 1982

FILE NAME =	USER NAME = #USER#	DESIGNED - JS	REVISED -
#FILE#		DRAWN - DW	REVISED -
	PLOT SCALE = #SCALE#	CHECKED - JD	REVISED -
	PLOT DATE = #DATE#	DATE - 03/27/09	REVISED -

STATE OF ILLINOIS
DEPARTMENT OF TRANSPORTATION

BUREAU OF ELECTRICITY STANDARD DETAILS
TRAFFIC SIGNAL IMPROVEMENT PLAN

SCALE: NONE SHEET NO. 10 OF 13 SHEETS STA. TO STA.

F.A.P. RTE.	SECTION	COUNTY	TOTAL SHEETS	SHEET NO.
389	2009-031-TS	COOK	13	10
FED. ROAD DIST. NO. ILLINOIS FED. AID PROJECT				