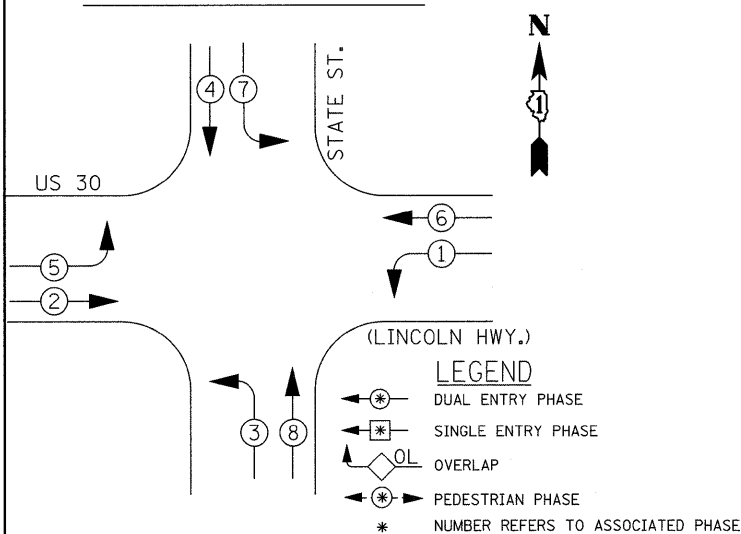
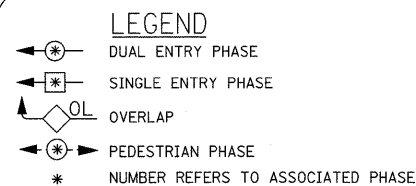


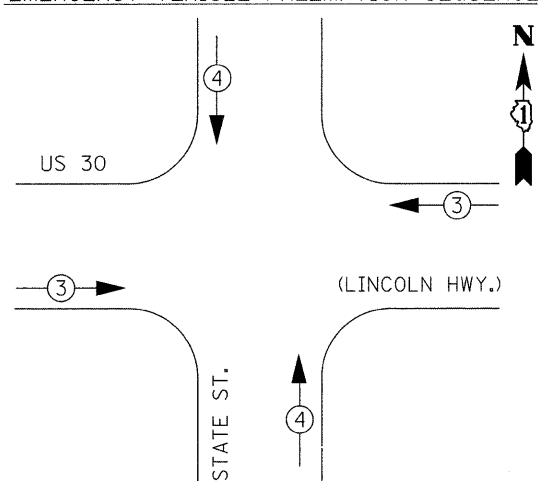
CONTROLLER SEQUENCE



PHASE DESIGNATION DIAGRAM



EMERGENCY VEHICLE PREEMPTION SEQUENCE



PROPOSED EMERGENCY VEHICLE PREEMPTOR			
EMERGENCY VEHICLE PREEMPTOR	3	4	
MOVEMENT	→	↑	↓

I.D.O.T. TRAFFIC SIGNAL INSTALLATION ELECTRICAL SERVICE REQUIREMENTS					TOTAL WATTAGE
TYPE	NO. LAMPS	WATTAGE (INCAND.)	LED	%OPERATION	
SIGNAL (RED)	16	135	17	0.50	136.00
(YELLOW)	16	135	25	0.25	100.00
(GREEN)	16	135	15	0.25	60.00
ARROW	16	135	12	0.10	19.20
PED. SIGNAL		90	25	1.00	
CONTROLLER	1	100	100	1.00	100.00
ILLUM. SIGN		84		0.05	

NOTE: THE TRAFFIC SIGNAL CONTROL EQUIPMENT FOR THIS PROJECT SHALL BE "EAGLE" TO MATCH THE ADJACENT SYSTEM.

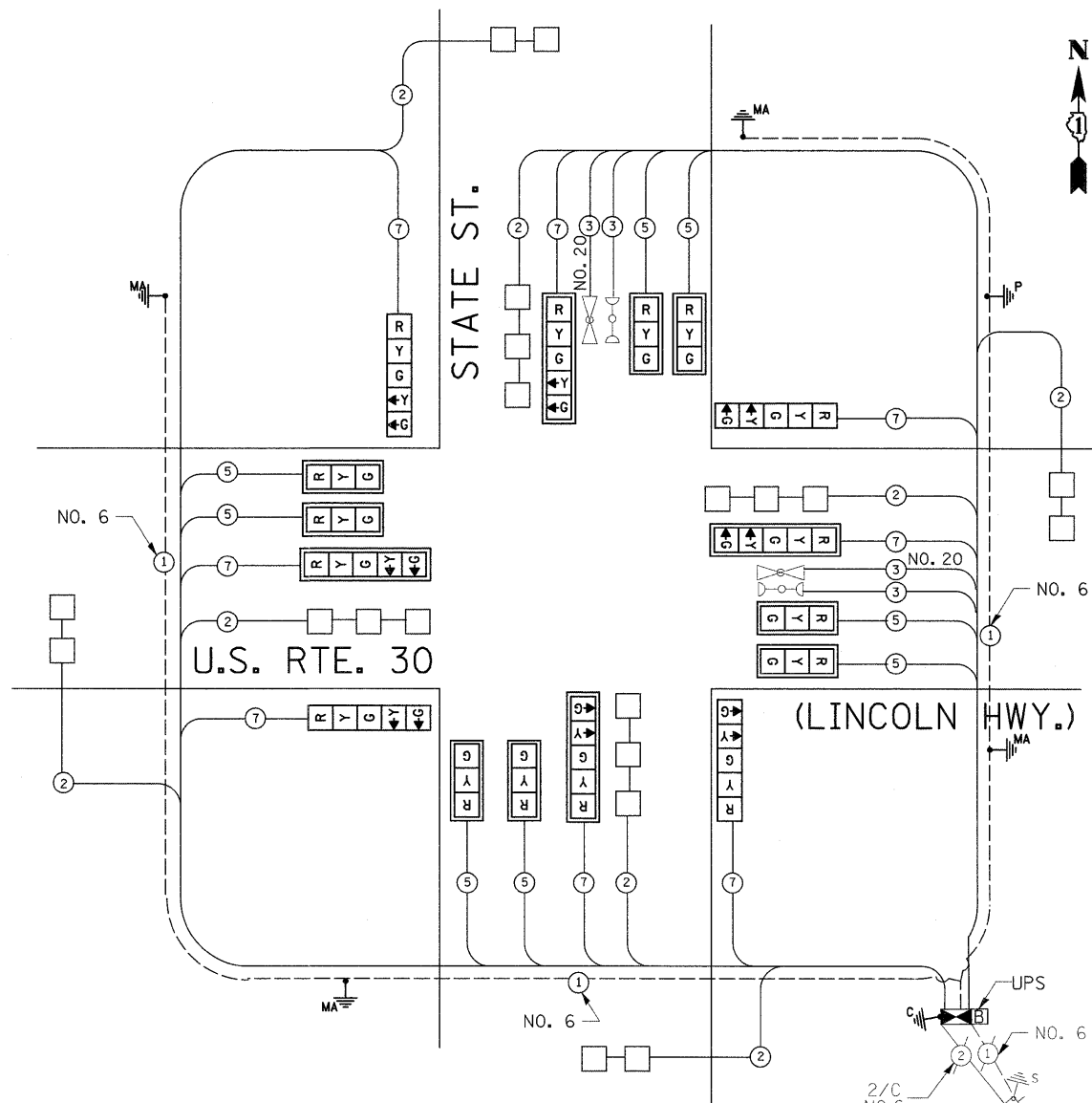
FOUNDATION (DEPTH)	FT. (m)	CABLE SLACK	FT. (m)	VERTICAL	FT. (m)
TYPE A - POST	4 (1.2)	HANDHOLE	6.5 (2.0)	ALL FOUNDATIONS	3.5 (1.0)
D - CONTROLLER	4 (1.2)	DOUBLE HANDHOLE	13 (4.0)	MAST ARM (L) POLE	20'-L-2' = (6m-HL-0.6m) =
E - M. ARM POLE		SIGNAL POST	2 (1.0)	BRACKET MOUNTED	13 (4.0)
	24" (600mm)	CONTROLLER CAB.	1 (0.5)	PED. PUSHBUTTON	4 (1.2)
	30" (750mm)	FIBER OPTIC	13 (4.0)	ELECTRIC SERVICE	13.5 (4.1)
	36" (900mm)	ELECTRIC SERVICE	1 (0.5)	SERVICE TO GROUND	13.5 (4.1)
		GROUND CABLE	1 (0.5)	POST MOUNTED	6 (1.8)

ENERGY COSTS TO: TOTAL = 415.20

ENERGY SUPPLY CONTACT: PHONE: 708-410-5069 COMPANY: COM. EDISON

SCHEDULE OF QUANTITIES

ITEM	UNIT	QUANTITY
SIGN PANEL-TYPE I	SQ FT	12
SIGN PANEL-TYPE II	SQ FT	30
THERMOPLASTIC PAVEMENT MARKING LINE 24"	FOOT	152
THERMOPLASTIC PAVEMENT MARKING REMOVAL	FOOT	60
CONDUIT IN PUSH, 2" DIA., GALVANIZED STEEL	FOOT	324
CONDUIT IN TRENCH, 2" DIA., GALVANIZED STEEL	FOOT	752
CONDUIT IN TRENCH, 2 1/2" DIA., GALVANIZED STEEL	FOOT	50
CONDUIT IN TRENCH, 4" DIA., GALVANIZED STEEL	FOOT	10
CONDUIT IN PUSH, 4" DIA., GALVANIZED STEEL	FOOT	249
CORRUGATED MEDIAN	SQ FT	120
HANDHOLE	EACH	7
HEAVY-DUTY HANDHOLE	EACH	4
DOUBLE HANDHOLE	EACH	1
TRENCH AND BACKFILL FOR ELECTRICAL WORK	FOOT	762
FULL-ACTUATED CONTROLLER AND TYPE IV CABINET(SPECIAL)	EACH	1
ELECTRIC CABLE IN CONDUIT, SIGNAL NO. 14 3C	FOOT	300
ELECTRIC CABLE IN CONDUIT, SIGNAL NO. 14 5C	FOOT	1438
ELECTRIC CABLE IN CONDUIT, SIGNAL NO. 14 7C	FOOT	1445
ELECTRIC CABLE IN CONDUIT, LEAD-IN, NO. 14 1 PAIR	FOOT	2089
TRAFFIC SIGNAL POST, GALVANIZED STEEL 16 FT.	EACH	1
STEEL MAST ARM ASSEMBLY AND POLE, 36 FT.	EACH	1
STEEL MAST ARM ASSEMBLY AND POLE, 40 FT.	EACH	3
CONCRETE FOUNDATION, TYPE A	FOOT	4
CONCRETE FOUNDATION, TYPE C	FOOT	4
CONCRETE FOUNDATION, TYPE E 36-INCH DIA.	FOOT	60
ELECTRIC CABLE IN CONDUIT, GROUNDING, NO. 6 1C	FOOT	484
SIGNAL HEAD, L.E.D. 1-FACE, 3 SECTION, MAST ARM MNTD.	EACH	8
SIGNAL HEAD, L.E.D. 1-FACE, 5 SECTION, MAST ARM MNTD.	EACH	4
SIGNAL HEAD, L.E.D. 1-FACE, 1-5 SECT BRKT MNTD.	EACH	4
TRAFFIC SIGNAL BACKPLATE, LOUVERED, ALUMINUM	EACH	12
INDUCTIVE LOOP DETECTOR	EACH	9
MEDIAN REMOVAL	SQ FT	120
DETECTOR LOOP TYPE I	FOOT	660
TEMPORARY TRAFFIC SIGNAL INSTALLATION	EACH	1
REMOVE ELECTRIC CABLE FROM CONDUIT	FOOT	1400
REMOVE EXISTING TRAFFIC SIGNAL EQUIPMENT	EACH	1
REMOVE EXISTING CONCRETE FOUNDATION	EACH	9
REMOVE EXISTING HANDHOLE	EACH	8
TEMPORARY TRAFFIC SIGNAL TIMINGS	EACH	1
UNINTERRUPTIBLE POWER SUPPLY	EACH	1
ELECTRIC CABLE IN CONDUIT NO. 20 3/C, TWISTED, SHIELDED	FOOT	300



CABLE PLAN LEGEND

PROPOSED	EXISTING	DESCRIPTION	PROPOSED	EXISTING
[Symbol]	[Symbol]	CONTROLLER CABINET	[Symbol]	[Symbol]
[Symbol]	[Symbol]	RAILROAD CONTROL CABINET	[Symbol]	[Symbol]
[Symbol]	[Symbol]	SERVICE INSTALLATION, (P) POLE OR (G) GROUND MOUNT	[Symbol]	[Symbol]
[Symbol]	[Symbol]	TELEPHONE CONNECTION	[Symbol]	[Symbol]
[Symbol]	[Symbol]	GROUND ROD AT (C) CONTROLLER, (H)HANDHOLE, (P) POST, (M) MAST ARM, OR (S) SERVICE	[Symbol]	[Symbol]
[Symbol]	[Symbol]	FIBER OPTIC CABLE IN CONDUIT, NUMBER OF FIBERS AS NOTED	[Symbol]	[Symbol]
[Symbol]	[Symbol]	ELECTRIC CABLE IN CONDUIT, NO. 14, UNLESS OTHERWISE NOTED. NUMBER OF CONDUCTORS AS NOTED	[Symbol]	[Symbol]
[Symbol]	[Symbol]	GROUND CABLE IN CONDUIT NO. 6 COPPER (GREEN)	[Symbol]	[Symbol]
[Symbol]	[Symbol]	SIGNAL FACE WITH BACKPLATE. "P" INDICATES PROGRAMMED HEAD	[Symbol]	[Symbol]
[Symbol]	[Symbol]	12" (300mm) RED WITH 8" (200mm) YELLOW AND GREEN TRAFFIC SIGNAL FACE	[Symbol]	[Symbol]
[Symbol]	[Symbol]	12" (300mm) TRAFFIC SIGNAL SECTION	[Symbol]	[Symbol]
[Symbol]	[Symbol]	12" (300mm) PEDESTRIAN SIGNAL SECTION WITH COUNTDOWN TIMER	[Symbol]	[Symbol]
[Symbol]	[Symbol]	ILLUMINATED SIGN "NO LEFT TURN"	[Symbol]	[Symbol]
[Symbol]	[Symbol]	ILLUMINATED SIGN "NO RIGHT TURN"	[Symbol]	[Symbol]
[Symbol]	[Symbol]	PUSHBUTTON DETECTOR	[Symbol]	[Symbol]
[Symbol]	[Symbol]	DETECTOR LOOP	[Symbol]	[Symbol]
[Symbol]	[Symbol]	PREFORMED DETECTOR LOOP	[Symbol]	[Symbol]
[Symbol]	[Symbol]	MICROWAVE VEHICLE SENSOR	[Symbol]	[Symbol]
[Symbol]	[Symbol]	VIDEO DETECTOR	[Symbol]	[Symbol]
[Symbol]	[Symbol]	CLOSED CIRCUIT TV	[Symbol]	[Symbol]
[Symbol]	[Symbol]	EMERGENCY VEHICLE SYSTEM DETECTOR	[Symbol]	[Symbol]
[Symbol]	[Symbol]	CONFIRMATION BEACON	[Symbol]	[Symbol]
[Symbol]	[Symbol]	UNINTERRUPTIBLE POWER SUPPLY	[Symbol]	[Symbol]