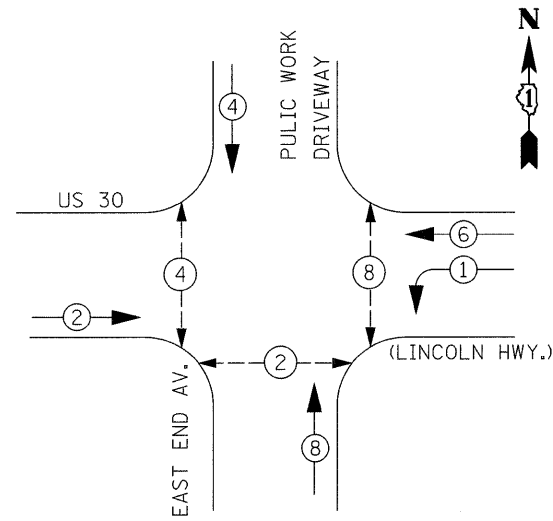


TEMPORARY CABLE DIAGRAM LEGEND

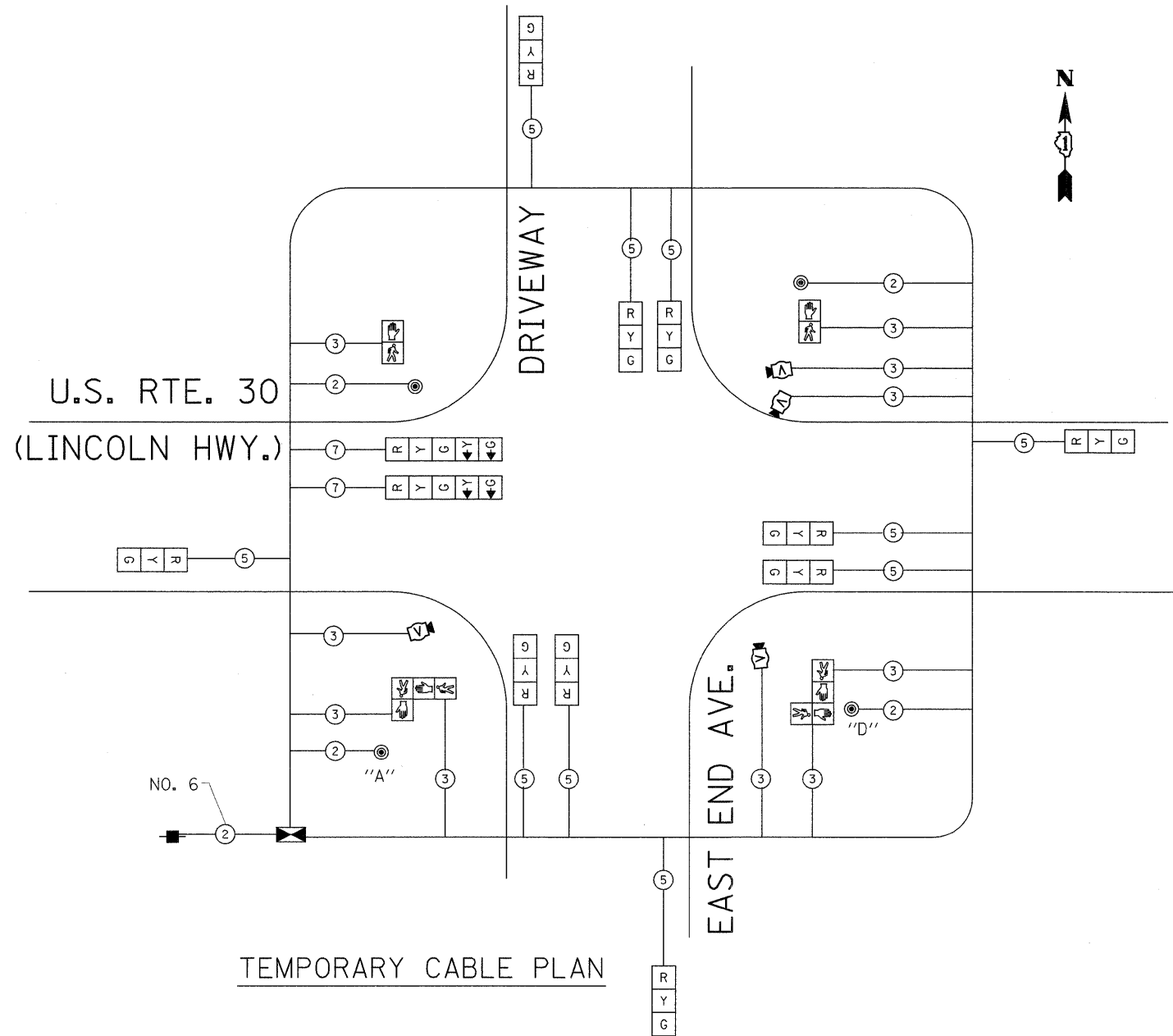
	PROPOSED	EXISTING
TEMPORARY CONTROLLER CABINET		
TEMPORARY SERVICE INSTALLATION, (P) POLE OR (G) GROUND MOUNT		
TEMPORARY TRAFFIC SIGNAL SECTION OR PEDESTRIAN SIGNAL SECTION, 12" (300 mm)		
12" (300 MM) PEDESTRIAN SIGNAL SECTION		
ELECTRIC CABLE IN CONDUIT, NO. 14, UNLESS OTHERWISE NOTED. NUMBER OF CONDUCTORS AS NOTED		
PEDESTRIAN PUSHBUTTON DETECTOR		
VEHICLE DETECTOR, INDUCTION LOOP		
MICROWAVE VEHICLE SENSOR		
VIDEO DETECTOR		
CLOSED CIRCUIT TV		
EMERGENCY VEHICLE SYSTEM DETECTOR		
CONFIRMATION BEACON		



LEGEND

- DUAL ENTRY PHASE
- SINGLE ENTRY PHASE
- OVERLAP
- PEDESTRIAN PHASE
- * NUMBER REFERS TO ASSOCIATED PHASE

TEMPORARY PHASE DESIGNATION DIAGRAM



TEMPORARY CABLE PLAN

NOTE:
 PUSHBUTTON "A" SHALL PLACE A CALL IN PHASES 2 AND 4.
 PUSHBUTTON "D" SHALL PLACE A CALL IN PHASES 2 AND 8.

I.D.O.T TRAFFIC SIGNAL INSTALLATION ELECTRICAL SERVICE REQUIREMENTS					TOTAL WATTAGE
TYPE	NO. LAMPS	WATTAGE INCAND.	WATTAGE LED	%OPERATION	
SIGNAL (RED)	12	135	17	0.50	102.00
(YELLOW)	12	135	25	0.25	75.00
(GREEN)	12	135	15	0.25	45.00
ARROW	4	135	12	0.10	4.80
PED. SIGNAL	6	90	25	1.00	150.00
CONTROLLER	1	100	100	1.00	100.00
ILLUM. SIGN		84		0.05	

FLASHER				0.50	
ENERGY COSTS TO:					TOTAL = 476.80
ILLINOIS DEPARTMENT OF TRANSPORTATION					
ENERGY SUPPLY CONTACT:					
PHONE:	708-410-5069				
COMPANY:	COM. EDISON				

FOUNDATION (DEPTH)	FT. (m)	CABLE SLACK	FT. (m)	VERTICAL	FT. (m)
TYPE A - POST	4 (1.2)	HANDHOLE	6.5 (2.0)	ALL FOUNDATIONS	3.5 (1.0)
D - CONTROLLER	4 (1.2)	DOUBLE HANDHOLE	13 (4.0)	MAST ARM (L) POLE	20'±L-2'±
E - M. ARM POLE		SIGNAL POST	2 (1.0)	6m±L-0.6m±	
24" (600mm)	10 (3.0)	CONTROLLER CAB.	1 (0.5)	BRACKET MOUNTED	13 (4.0)
30" (750mm)	15 (4.6)	FIBER OPTIC	13 (4.0)	PED. PUSHBUTTON	4 (1.2)
36" (900mm)	15 (4.6)	ELECTRIC SERVICE	1 (0.5)	ELECTRIC SERVICE	13.5 (4.1)
		GROUND CABLE	1 (0.5)	SERVICE TO GROUND	13.5 (4.1)
				POST MOUNTED	6 (1.8)