

THE FOLLOWING ITEMS SHALL BE REMOVED BY THE CONTRACTOR AND SHALL BE DISPOSED OF BY THEM OUTSIDE THE RIGHT-OF-WAY AT THEIR EXPENSE. THE SALVAGE VALUE OF THE REMOVED EQUIPMENT SHALL BE REFLECTED IN THE CONTRACT BID PRICE.

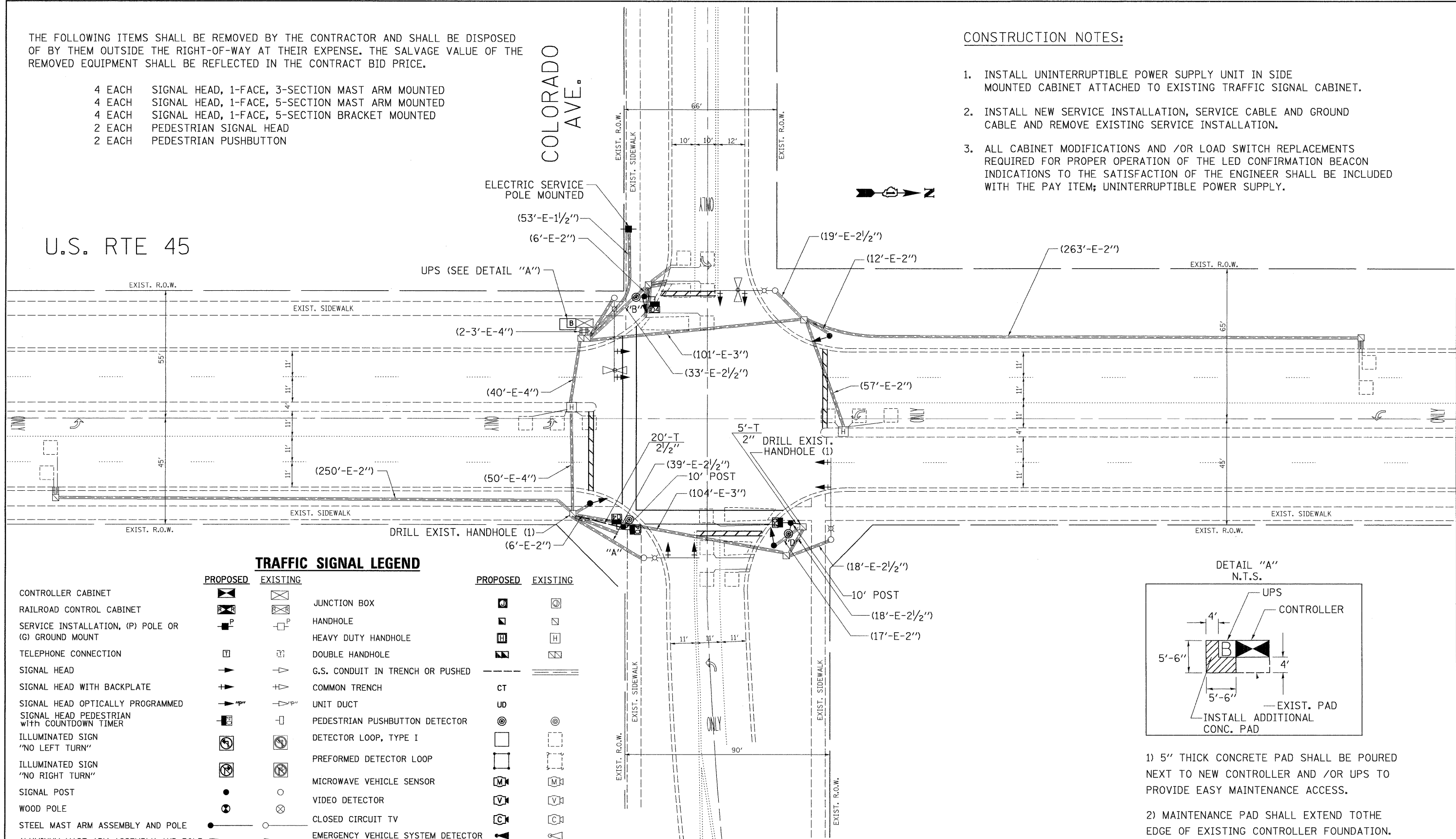
- 4 EACH SIGNAL HEAD, 1-FACE, 3-SECTION MAST ARM MOUNTED
- 4 EACH SIGNAL HEAD, 1-FACE, 5-SECTION MAST ARM MOUNTED
- 4 EACH SIGNAL HEAD, 1-FACE, 5-SECTION BRACKET MOUNTED
- 2 EACH PEDESTRIAN SIGNAL HEAD
- 2 EACH PEDESTRIAN PUSHBUTTON

CONSTRUCTION NOTES:

1. INSTALL UNINTERRUPTIBLE POWER SUPPLY UNIT IN SIDE MOUNTED CABINET ATTACHED TO EXISTING TRAFFIC SIGNAL CABINET.
2. INSTALL NEW SERVICE INSTALLATION, SERVICE CABLE AND GROUND CABLE AND REMOVE EXISTING SERVICE INSTALLATION.
3. ALL CABINET MODIFICATIONS AND /OR LOAD SWITCH REPLACEMENTS REQUIRED FOR PROPER OPERATION OF THE LED CONFIRMATION BEACON INDICATIONS TO THE SATISFACTION OF THE ENGINEER SHALL BE INCLUDED WITH THE PAY ITEM; UNINTERRUPTIBLE POWER SUPPLY.

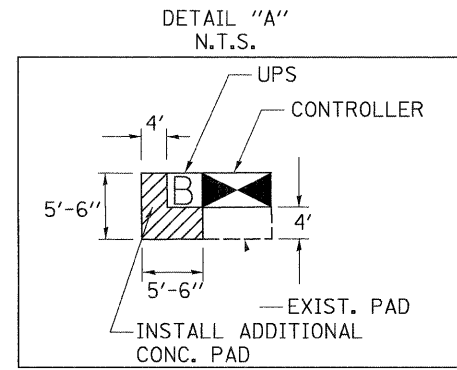
U.S. RTE 45

COLORADO AVE.



TRAFFIC SIGNAL LEGEND

PROPOSED		EXISTING		PROPOSED		EXISTING	
CONTROLLER CABINET				JUNCTION BOX			
RAILROAD CONTROL CABINET				HANDHOLE			
SERVICE INSTALLATION, (P) POLE OR (G) GROUND MOUNT				HEAVY DUTY HANDHOLE			
TELEPHONE CONNECTION				DOUBLE HANDHOLE			
SIGNAL HEAD				G.S. CONDUIT IN TRENCH OR PUSHED			
SIGNAL HEAD WITH BACKPLATE				COMMON TRENCH	CT		
SIGNAL HEAD OPTICALLY PROGRAMMED				UNIT DUCT	UD		
SIGNAL HEAD PEDESTRIAN WITH COUNTDOWN TIMER				PEDESTRIAN PUSHBUTTON DETECTOR			
ILLUMINATED SIGN "NO LEFT TURN"				DETECTOR LOOP, TYPE I			
ILLUMINATED SIGN "NO RIGHT TURN"				PREFORMED DETECTOR LOOP			
SIGNAL POST				MICROWAVE VEHICLE SENSOR			
WOOD POLE				VIDEO DETECTOR			
STEEL MAST ARM ASSEMBLY AND POLE				CLOSED CIRCUIT TV			
ALUMINUM MAST ARM ASSEMBLY AND POLE				EMERGENCY VEHICLE SYSTEM DETECTOR			
STEEL COMBINATION MAST ARM ASSEMBLY AND POLE WITH LUMINAIRE				CONFIRMATION BEACON			
				UNINTERRUPTIBLE POWER SUPPLY			
				PEDESTRIAN SIGNAL HEAD WITH COUNTDOWN TIMER			



- 1) 5" THICK CONCRETE PAD SHALL BE POURED NEXT TO NEW CONTROLLER AND /OR UPS TO PROVIDE EASY MAINTENANCE ACCESS.
- 2) MAINTENANCE PAD SHALL EXTEND TO THE EDGE OF EXISTING CONTROLLER FOUNDATION.
- 3) COST OF PAD SHALL BE INCLUDED IN THE PRICE OF THE UNINTERRUPTIBLE POWER SUPPLY PAY ITEM.

NOTE:
THE WORK SHOWN IN DETAIL "A" SHALL BE INCLUDED IN THE COST FOR THE U.P.S. EQUIPMENT.