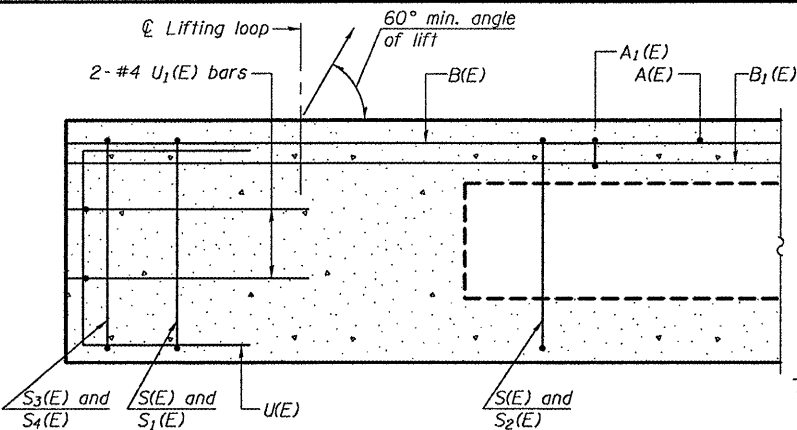
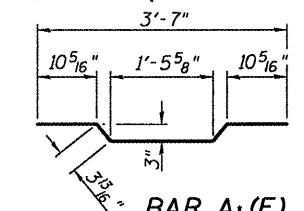


STATE OF ILLINOIS
DEPARTMENT OF TRANSPORTATION

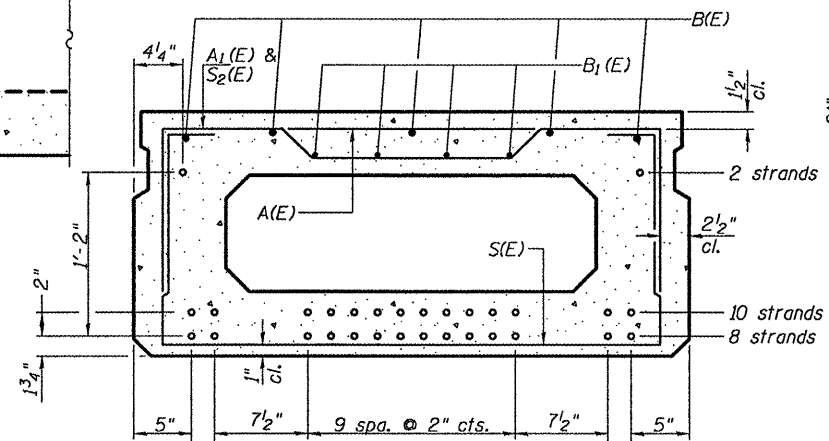
Note: Place the number of strands specified in each row symmetrically about the centerline of beam in the permissible strand locations shown.



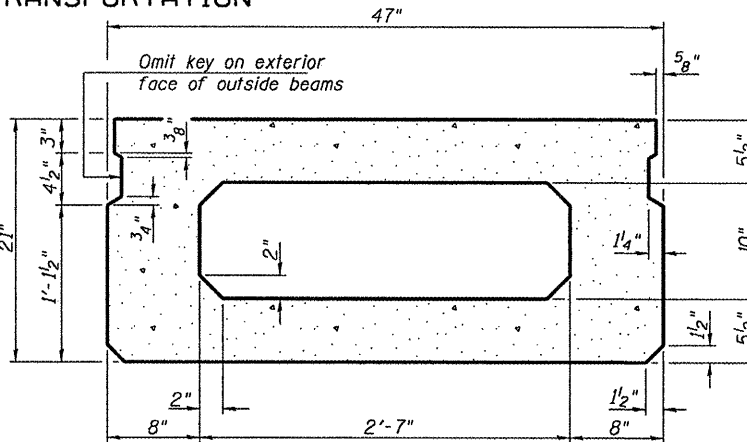
SECTION C-C



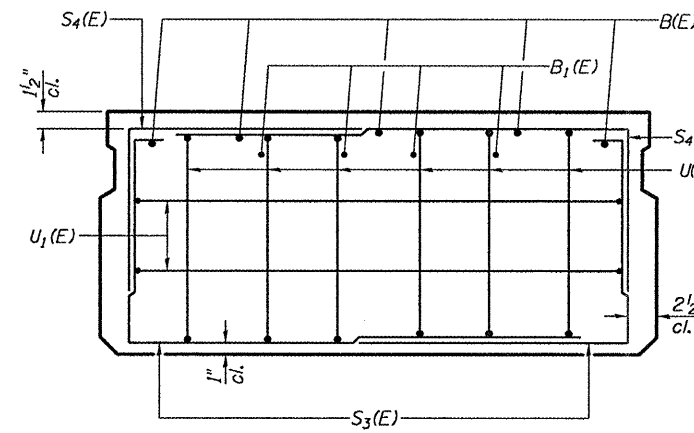
BAR A1(E)



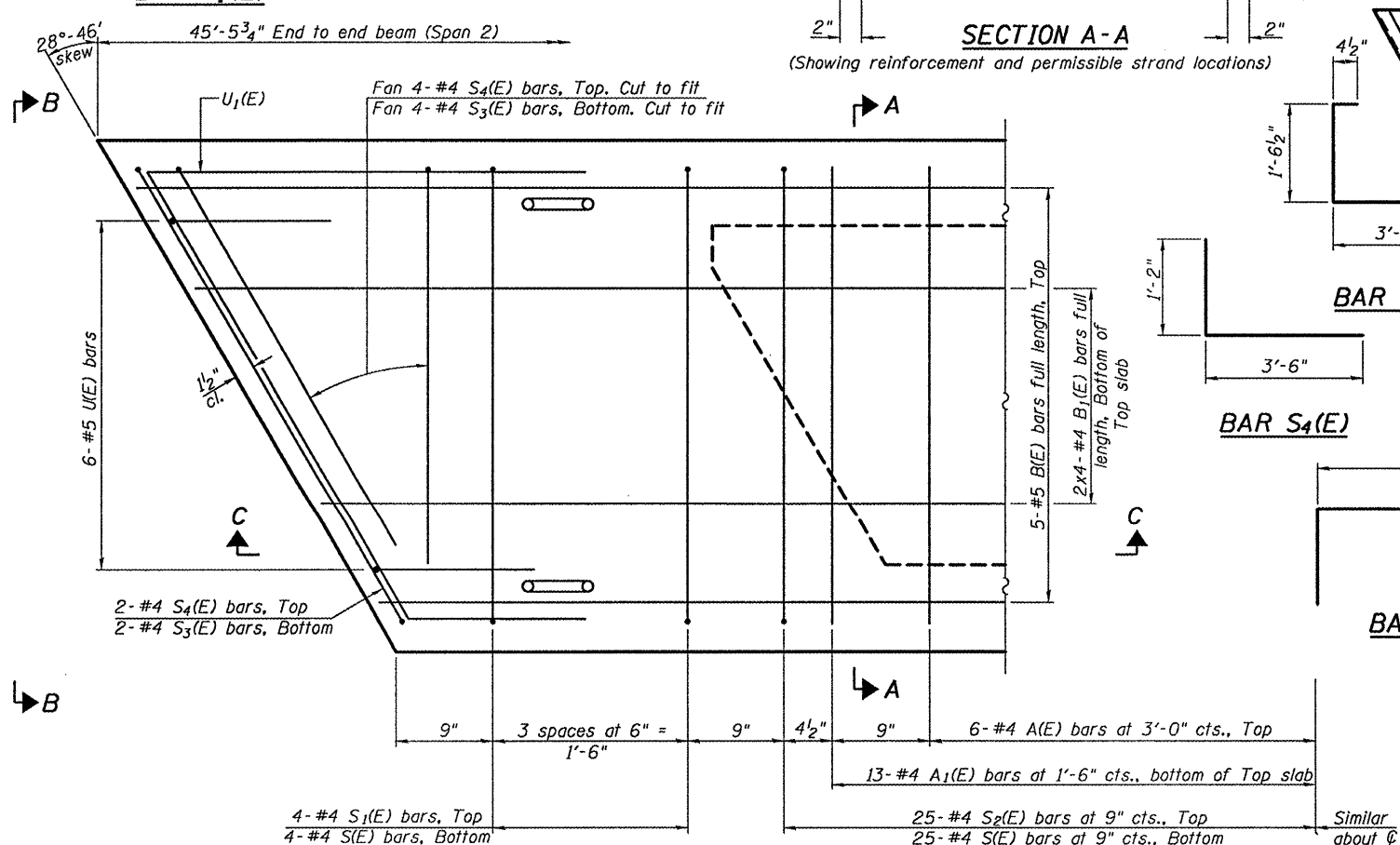
SECTION A-A



SECTION A-A
(Showing dimensions)



VIEW B-B

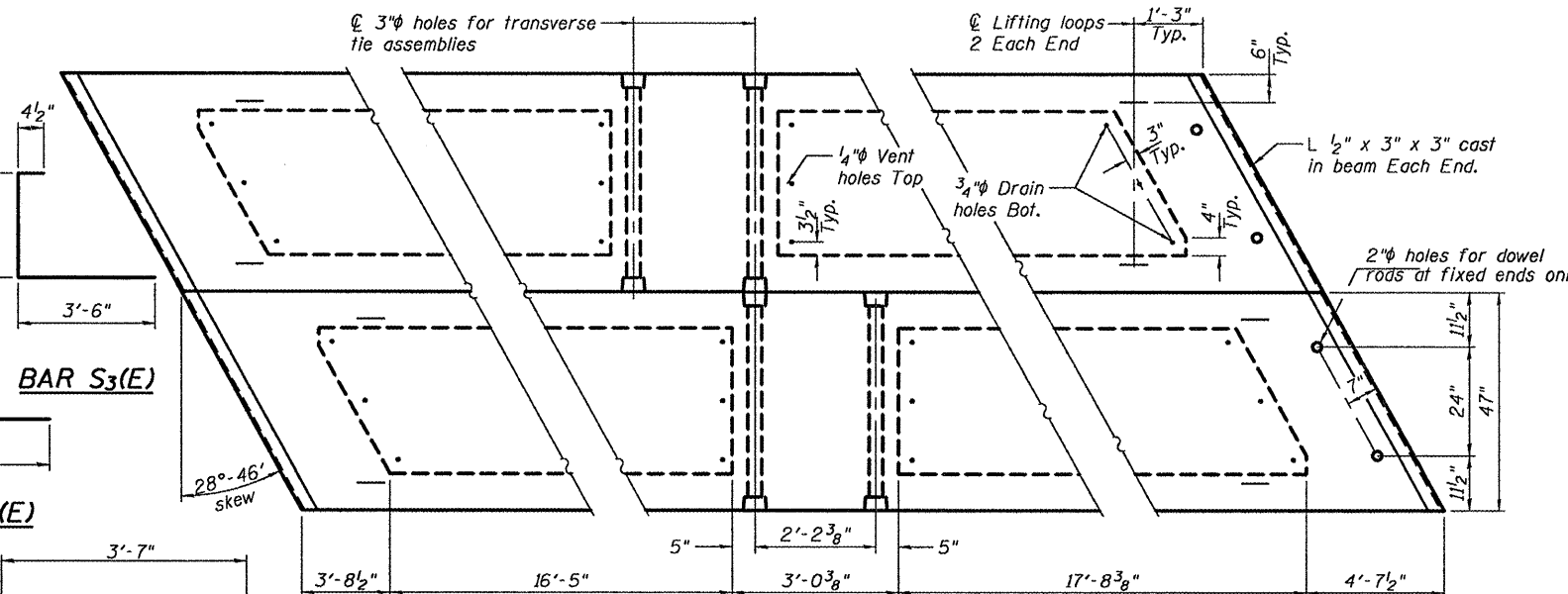


PLAN VIEW

Note: Spacing of S(E) and S2(E) bars may be adjusted up to 4" in the immediate area of the transverse tie diaphragms to miss the block outs for the transverse ties.

NOTES

Prestressing steel shall be uncoated high strength, low relaxation 7-wire strand, Grade 270. The nominal diameter shall be 1/2" and the nominal cross-sectional area shall be 0.153 sq. in. The 1" ϕ rods in the transverse tie assembly shall be tightened to a snug fit and the threads set. Pockets on exterior faces of bridge shall be filled with grout after transverse tie assembly is in place.
Reinforcement bars shall conform to ASTM A 706, Grade 60. (See Special Provisions). Two 1/2" fabric adjusting shims of the dimensions of the exterior bearing pad shall be provided for each bearing pad location.
A minimum 2 1/2" ϕ lifting pin shall be used to engage the lifting loops during handling.
Corrosion Inhibitor, per Article 1020.05(b)(12) and 1021.06 of the Standard Specifications, shall be used in the concrete for precast prestressed concrete deck beams.
Compressive strength of prestressed concrete, f'c, shall be 6000 psi.
Compressive strength of prestressed concrete at release, f'ci, shall be 5000 psi.



DIMENSION PLAN VIEW

BAR S1(E)

BAR S3(E)

BAR S4(E)

BAR U(E)

BAR S(E)

BAR S2(E)

BAR U1(E)

BAR LIST
ONE BEAM ONLY
(For information only)

Bar No.	Size	Length	Shape
A(E)	#4	3'-7"	—
A1(E)	#4	3'-10"	—
B(E)	#5	45'-2"	—
B1(E)	#4	23'-6"	—
S(E)	#4	7'-5"	—
S1(E)	#4	5'-11"	—
S2(E)	#4	6'-2"	—
S3(E)	#4	5'-5"	—
S4(E)	#4	4'-8"	—
U(E)	#5	4'-0"	—
U1(E)	#4	8'-5"	—

BILL OF MATERIAL

Precast Prestressed Conc. Deck Bms. (21" depth)	Sq. Ft.	356
-------------------------------------------------	---------	-----

21"x48" BEAM DETAILS
SPAN 2
SN 022-0054

DESIGNED	A.T.H.
CHECKED	V.H.V.
DRAWN	Drew Christopher
CHECKED	A.T.H. V.H.V.

EXAMINED	April 28, 2009
PASSED	Ralph E. Anderson

SHEET NO. 4	F.A.P. RTE. 0365	SECTION 2004-037 I	COUNTY DuPage	TOTAL SHEETS 20	SHEET NO. 11
5 SHEETS	FED. ROAD DIST. NO. ILLINOIS		FED. AID PROJECT CONTRACT NO. 60G58		