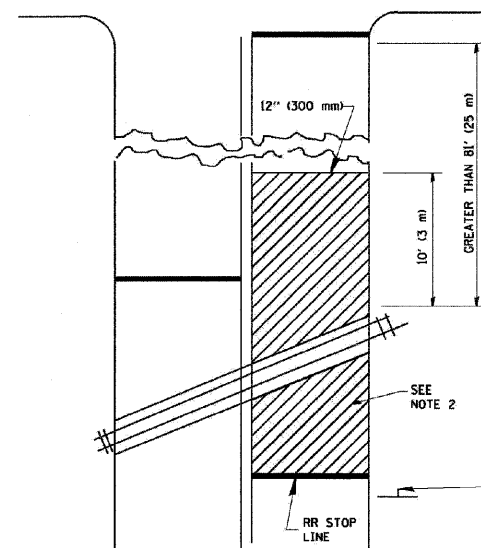
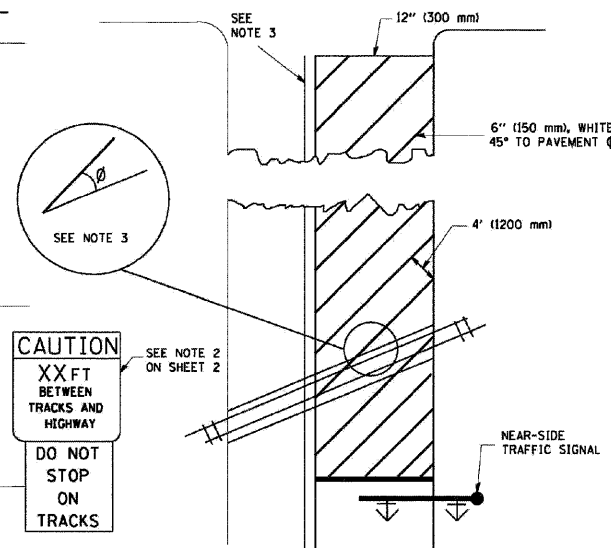


WITH INTERSECTION TRAFFIC SIGNALS

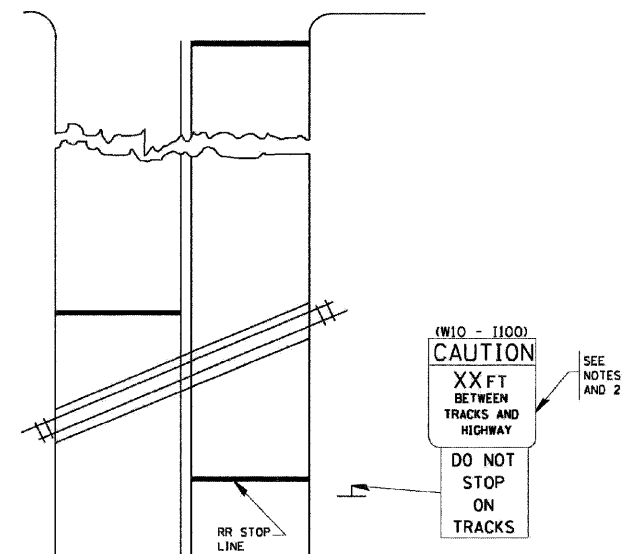


WITH NEAR-SIDE TRAFFIC SIGNALS



WITH NONSIGNALIZED INTERSECTION

81' (25 m) OR LESS TO CLOSEST RAIL



- NOTES:
- PAVEMENT MARKINGS TO BE INSTALLED ONLY ON APPROACHES TO INTERSECTIONS CONTROLLED BY TRAFFIC SIGNALS WHICH ARE INTERCONNECTED WITH THE RAILROAD WARNING SIGNALS.
 - WHERE NEAR-SIDE TRAFFIC SIGNALS ARE USED, THE PAVEMENT MARKINGS EXTENDS TO THE INTERSECTION.
 - WHERE THE ANGLE BETWEEN THE DIAGONAL STRIPES AND THE TRACK (Ø) WOULD BE LESS THAN APPROXIMATELY 20°, THE STRIPES SHOULD BE SLOPED IN THE OPPOSITE DIRECTION FROM THAT SHOWN.

- NOTE:
- DISTANCE TO BE SHOWN ON SIGN MEASURED FROM A POINT 6 FEET (1.8 m) FROM THE RAIL CLOSEST TO THE INTERSECTION TO THE STOP LINE OR CROSSWALK, WHICHEVER IS CLOSEST; ROUNDED DOWN TO THE NEAREST 5 FEET (1.5 m). WHERE THERE IS NO STOP LINE, MEASURE TO POINT WHERE THE DRIVER HAS A VIEW OF APPROACHING TRAFFIC.
 - THE CLEARANCE SIGN IS ALSO TO BE USED AS AN INTERIM MEASURE AT LOCATIONS WITH INTERCONNECTED INTERSECTION TRAFFIC SIGNALS WHERE IT IS PLANNED TO CHANGE THEM TO NEAR-SIDE SIGNALS AT A FUTURE TIME. IN THIS CASE, THE DISTANCE TO BE SHOWN ON THE SIGN IS MEASURED FROM THE EDGE OF THE STRIPED-OUT AREA INSTEAD OF 6-FEET FROM THE RAIL. THE SIGN IS TO BE REMOVED WHEN THE NEAR-SIDE SIGNALS ARE INSTALLED AND THE PAVEMENT MARKINGS EXTEND TO THE INTERSECTION.

ALL DIMENSIONS ARE IN INCHES (MILLIMETERS) UNLESS OTHERWISE SHOWN.

SIGNING AND PAVEMENT MARKINGS TREATMENT FOR RAILROAD CROSSINGS

FILE NAME = ...0803\W018\Chicago\Detail.dgn	USER NAME = Plotted by Administrator	DESIGNED - ---	REVISED - ---	STATE OF ILLINOIS DEPARTMENT OF TRANSPORTATION	DISTRICT ONE DETAIL SHEETS COLUMBUS DRIVE FROM 87TH STREET TO WESTERN AVENUE			F.A.U. RTE. 3578	SECTION 3178 RS-2	COUNTY COOK	TOTAL SHEETS 27	SHEET NO. 24
	PLOT SCALE = 25.0000' / IN.	CHECKED - ---	REVISED - ---		SCALE: NONE	SHEET NO. 15 OF 18 SHEETS	STA. _____ TO STA. _____	FED. ROAD DIST. NO. _____ [ILLINOIS] FED. AID PROJECT				
	PLOT DATE = 4/21/2009	DATE = 4/2009	REVISED - ---		CONTRACT NO. 60G82							