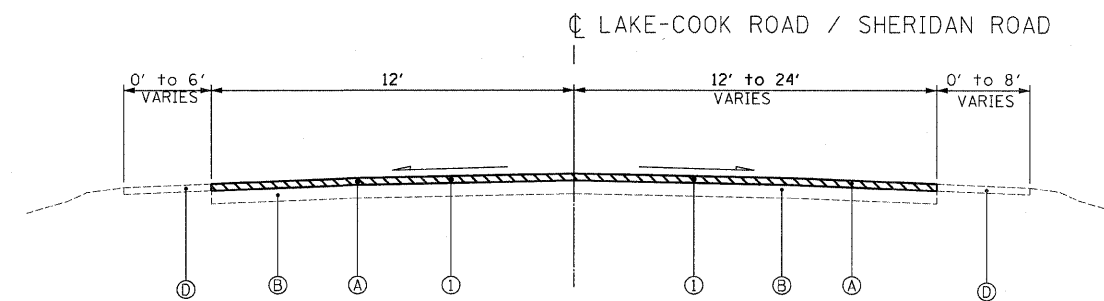
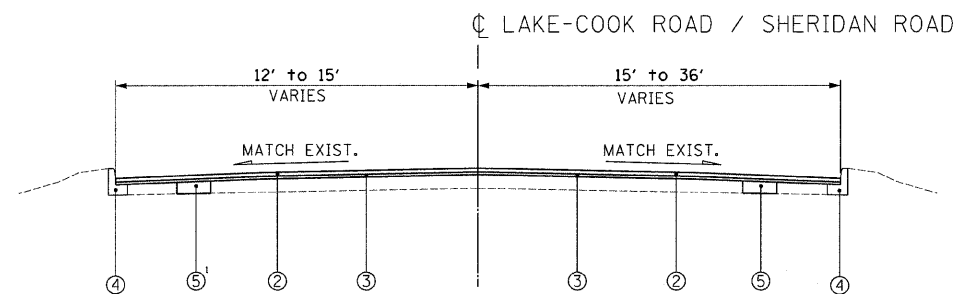


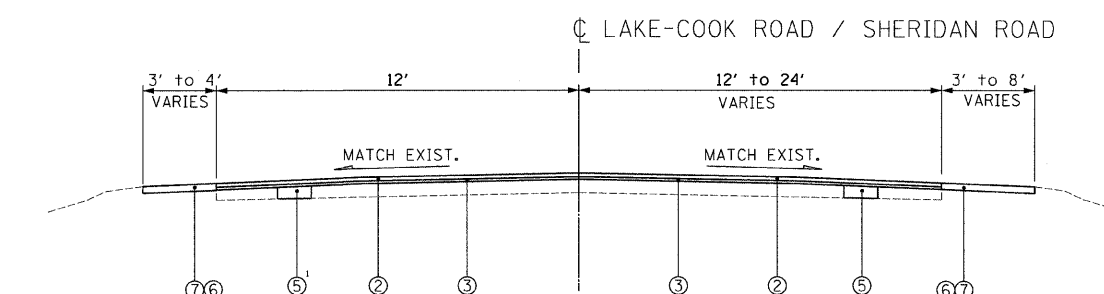
EXISTING TYPICAL SECTION  
 STA. 102+96 TO STA. 111+60  
 STA. 129+29 TO STA. 133+75  
 STA. 135+94 TO STA. 148+00



EXISTING TYPICAL SECTION  
 STA. 111+60 TO STA. 117+74  
 STA. 118+60 TO STA. 129+29



PROPOSED TYPICAL SECTION  
 STA. 102+96 TO STA. 111+60  
 STA. 129+29 TO STA. 133+75  
 STA. 135+94 TO STA. 148+00



PROPOSED TYPICAL SECTION  
 STA. 111+60 TO STA. 117+74  
 STA. 118+60 TO STA. 129+29

**EXISTING CONDITIONS:**

- Ⓐ HOT-MIX ASPHALT SURFACE AND BINDER COURSE, 3" AND VARIES
- Ⓑ PORTLAND CEMENT CONCRETE BASE COURSE, 9"
- Ⓒ COMBINATION CONCRETE CURB AND GUTTER
- Ⓓ AGGREGATE SHOULDER

**PROPOSED IMPROVEMENTS:**

- ① HOT-MIX ASPHALT SURFACE REMOVAL, 2 1/4"
- ② HOT-MIX ASPHALT SURFACE COURSE, MIX "D", N70, 1 1/2"
- ③ POLYMERIZED LEVELING BINDER (MACHINE METHOD), IL-4.75, N50, 3/4"
- ④ COMBINATION CONCRETE CURB AND GUTTER REMOVAL AND REPLACEMENT (AS DIRECTED BY ENGINEER)
- ⑤ CLASS D PATCHES, 9" (DETERMINED BY ENGINEER IN FIELD)
- ⑥ AGGREGATE WEDGE SHOULDER, TYPE B
- ⑦ GRADING AND SHAPING SHOULDERS

A QUANTITY FOR LEVELING BINDER (HAND METHOD) HAS BEEN PROVIDED FOR USE AT ENTRANCES, AROUND HAND HOLES, PRIVATE UTILITY STRUCTURE FRAMES AND ANY OTHER STRUCTURE FRAMES THAT ARE NOT ABLE TO BE LOWERED UNDER THE ITEM "FRAMES AND LIDS TO BE ADJUSTED (SPECIAL)" AFTER GRINDING OF THE EXISTING PAVEMENT.

<sup>1</sup> QUANTITIES FOR EARTH EXCAVATION AND AGGREGATE BASE REPAIR HAVE BEEN INCLUDED FOR SUBGRADE FAILURES BELOW THE CLASS D PATCHES

**HOT-MIX ASPHALT MIXTURE REQUIREMENTS CHART**

OPERATIONS	MIXTURE TYPE	AC TYPE	PERCENT AIR VOIDS
ROADWAY RESURFACING	HOT-MIX ASPHALT SURFACE COURSE, MIX "D", N70 (IL-9.5MM)	PG 64-22	4% @ 70 GYR
	POLYMERIZED LEVELING BINDER (MACHINE METHOD), IL-4.75, N50	SBS/SBR PG 76-28/-22	4% @ 50 GYR
<i>INCIDENTAL</i>	LEVELING BINDER (HAND METHOD), N70 (IL-9.5MM)	PG 64-22 *	4% @ 70 GYR
PAVEMENT PATCHING	CLASS D PATCHES, 9" (HMA BINDER IL-19 MM)	PG 64-22 *	4% @ 70 GYR
	HOT-MIX ASPHALT REPLACEMENT OVER PATCHES (HMA BINDER IL-19 MM)	PG 64-22 *	4% @ 70 GYR
DRIVES BEHIND CURB	HOT-MIX ASPHALT SURFACE COURSE MIX "C" N50 (IL-9.5MM) 2"	PG 64-22	4% @ 50 GYR
	HOT-MIX ASPHALT BASE COURSE, 8" (HMA BINDER IL-19 MM)	PG 64-22 *	4% @ 50 GYR

THE UNIT WEIGHT USED TO CALCULATE ALL HMA SURFACE MIXTURE QUANTITIES IS 112 LBS/SQ YD/IN.

\* WHEN RAP EXCEEDS 20%, THE NEW ASPHALT BINDER IN THE MIX SHALL BE PG 58-22.

FILE NAME = m:\p\02\3388\3388-15\design\proposals\02\3388-15-04-Typical Sections.dgn

**Ciorba Group, Inc.**  
 CONSULTING ENGINEERS  
 5507 North Cumberland Avenue, Suite 402  
 Chicago, Illinois 60656  
 Tel. 773.775.4009 Fax 773.775.4014

USER NAME = oiaou	DESIGNED - MBT	REVISED -
PLOT SCALE = 5.0000' / IN.	DRAWN - AL	REVISED -
PLOT DATE = 4/18/2009	CHECKED - WBL	REVISED -
	DATE - 4/16/2009	REVISED -

**STATE OF ILLINOIS**  
**DEPARTMENT OF TRANSPORTATION**

**LAKE-COOK ROAD /SHERIDAN ROAD**  
**GREEN BAY ROAD TO SHERIDAN ROAD (EAST JUNCTION)**  
**TYPICAL SECTIONS**

SCALE: N.T.S. SHEET NO. 4 OF 19 SHEETS STA. TO STA.

F.A.U. RTE. 3726	SECTION (112 & 112X) RS-7	COUNTY LAKE/COOK	TOTAL SHEETS 19	SHEET NO. 4
FED. ROAD DIST. NO. 1 ILLINOIS FED. AID PROJECT			CONTRACT NO. 60H03	