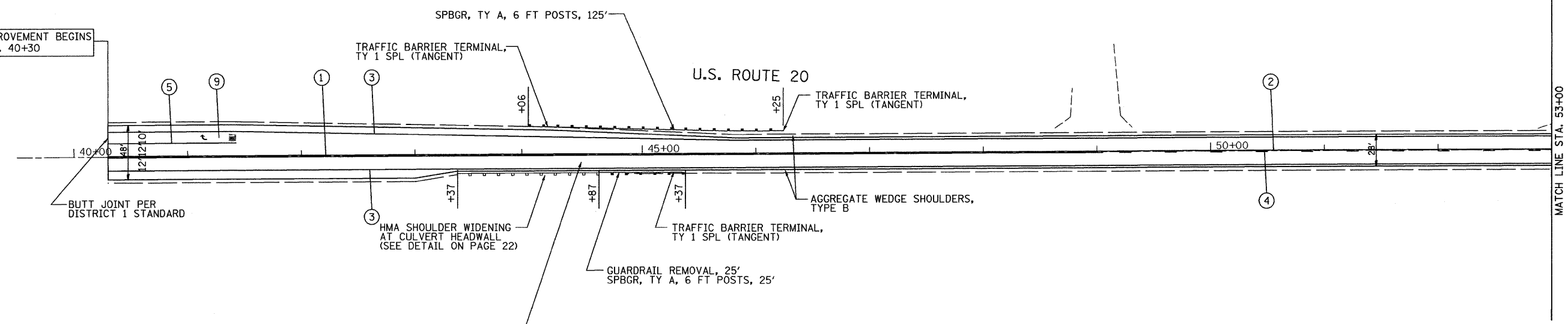




IMPROVEMENT BEGINS STA. 40+30



**LEGEND**

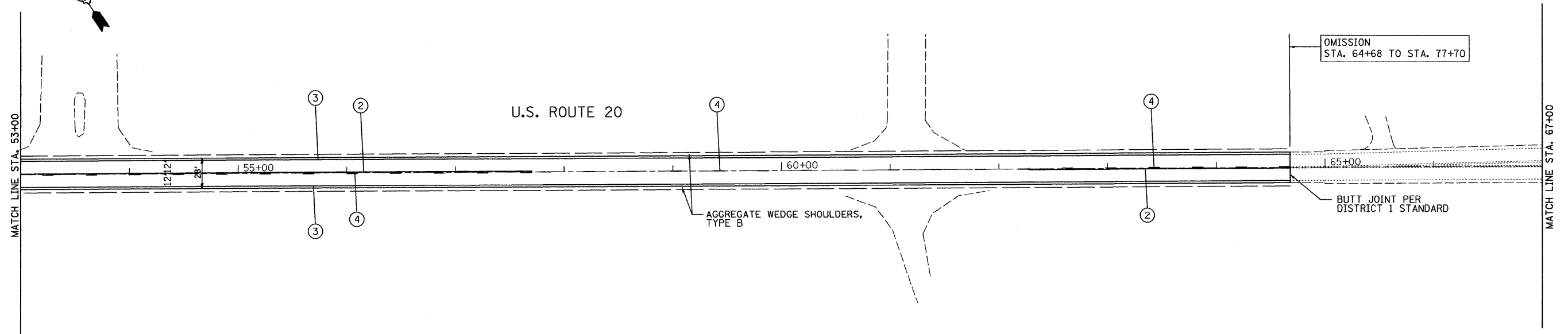
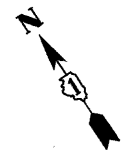
- ① 2-(4") YELLOW @ 11" C-C
- ② (4") YELLOW LINE
- ③ (4") WHITE EDGE LINE
- ④ (4") YELLOW LINE 10' DASH 30' SKIP
- ⑤ (6") WHITE TURN LANE
- ⑥ (24") STOP LINES
- ⑦ (12") YELLOW DIAGONALS
- ⑧ (6") WHITE CROSSWALK LINE (PEDESTRIAN)
- ⑨ LETTERS AND SYMBOLS
- ⑩ 6" WHITE DOTTED LINES (2' LINE WITH 6' SPACE)

**PAVEMENT IMPROVEMENTS:**

HOT-MIX ASPHALT SURFACE REMOVAL, 1 1/2"  
 POLYMERIZED LEVELING BINDER (MACHINE METHOD), IL-4.75, N50, 3/4"  
 HOT-MIX ASPHALT SURFACE COURSE, MIX "D", N70, 1 1/2"

**NOTES:**

PERMANENT PAVEMENT MARKING SHALL BE THERMOPLASTIC (OF THE EXTRUDED TYPE) AND SHOULD BE PLACED IN ACCORDANCE WITH "DISTRICT ONE TYPICAL PAVEMENT MARKING DETAILS"  
 RAISED REFLECTIVE PAVEMENT MARKERS SHALL BE IN ACCORDANCE WITH THE DISTRICT ON "TYPICAL APPLICATION RAISED REFLECTIVE PAVEMENT MARKERS DETAILS"



FILE NAME = ...\\plons\pln5960\pp&mark01.dgn  
 PLOT SCALE = 1" = 50'  
 PLOT DATE = 5/14/2009

USER NAME = gthiesse  
 DESIGNED - BJW  
 DRAWN - DMS  
 CHECKED - JAS  
 DATE - 4/21/09

REVISED - 5/14/09  
 REVISED -  
 REVISED -  
 REVISED -

**STATE OF ILLINOIS  
 DEPARTMENT OF TRANSPORTATION**

**ROADWAY AND PAVEMENT MARKING  
 US 20 - ILL 47 TO W OF PLANK RD**

SCALE: SHEET NO. OF SHEETS STA. 39+50 TO STA. 67+00

F.A.P. RTE.	SECTION	COUNTY	TOTAL SHEETS	SHEET NO.
345	9 RS-7	KANE	25	5
CONTRACT NO. 60H26				
FED. ROAD DIST. NO. ILLINOIS FED. AID PROJECT				