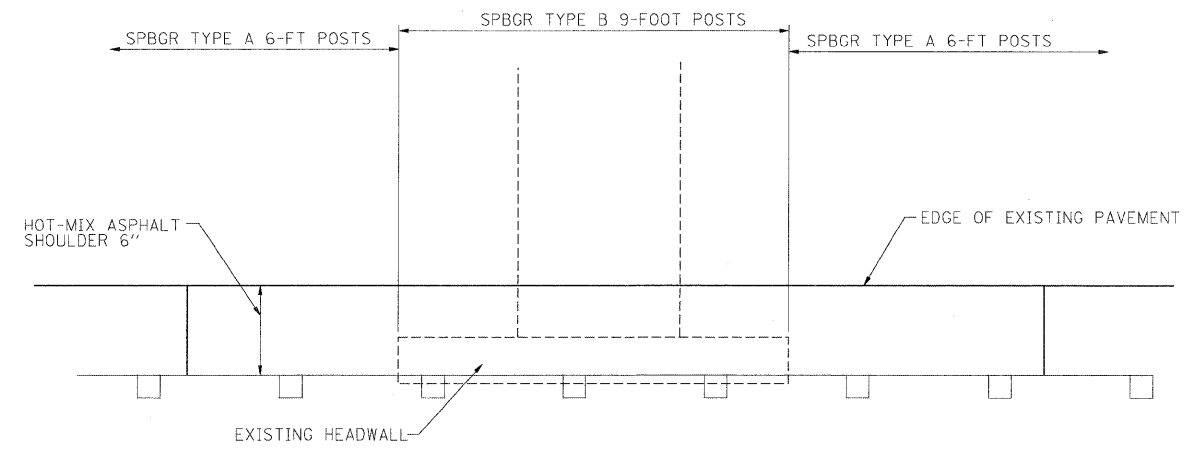


**CROSS SECTION**



NOTE: LENGTH OF SHOULDER WIDENING TO BE DETERMINED BY ENGINEER

**PLAN VIEW**

FILE NAME = ...p\In59609_Dist1_Det08.dgn	USER NAME = bweisgnd	DESIGNED - BJW	REVISED -	<b>STATE OF ILLINOIS DEPARTMENT OF TRANSPORTATION</b>	<b>HMA SHOULDER WIDENING AT CULVERT HEADWALL</b>			F.A.P. RTE.	SECTION	COUNTY	TOTAL SHEETS	SHEET NO.
	PLOT SCALE = 5.00' / IN.	DRAWN - DMS	REVISED -					345	9 RS-7	KANE	25	22
	PLOT DATE = 4/21/2009	CHECKED - JAS	REVISED -					CONTRACT NO. 60H26				
	DATE - 4/21/09	REVISOR -	REVISED -					FED. ROAD DIST. NO. ILLINOIS FED. AID PROJECT				
				SCALE:	SHEET NO.	OF	SHEETS	STA.	TO STA.			