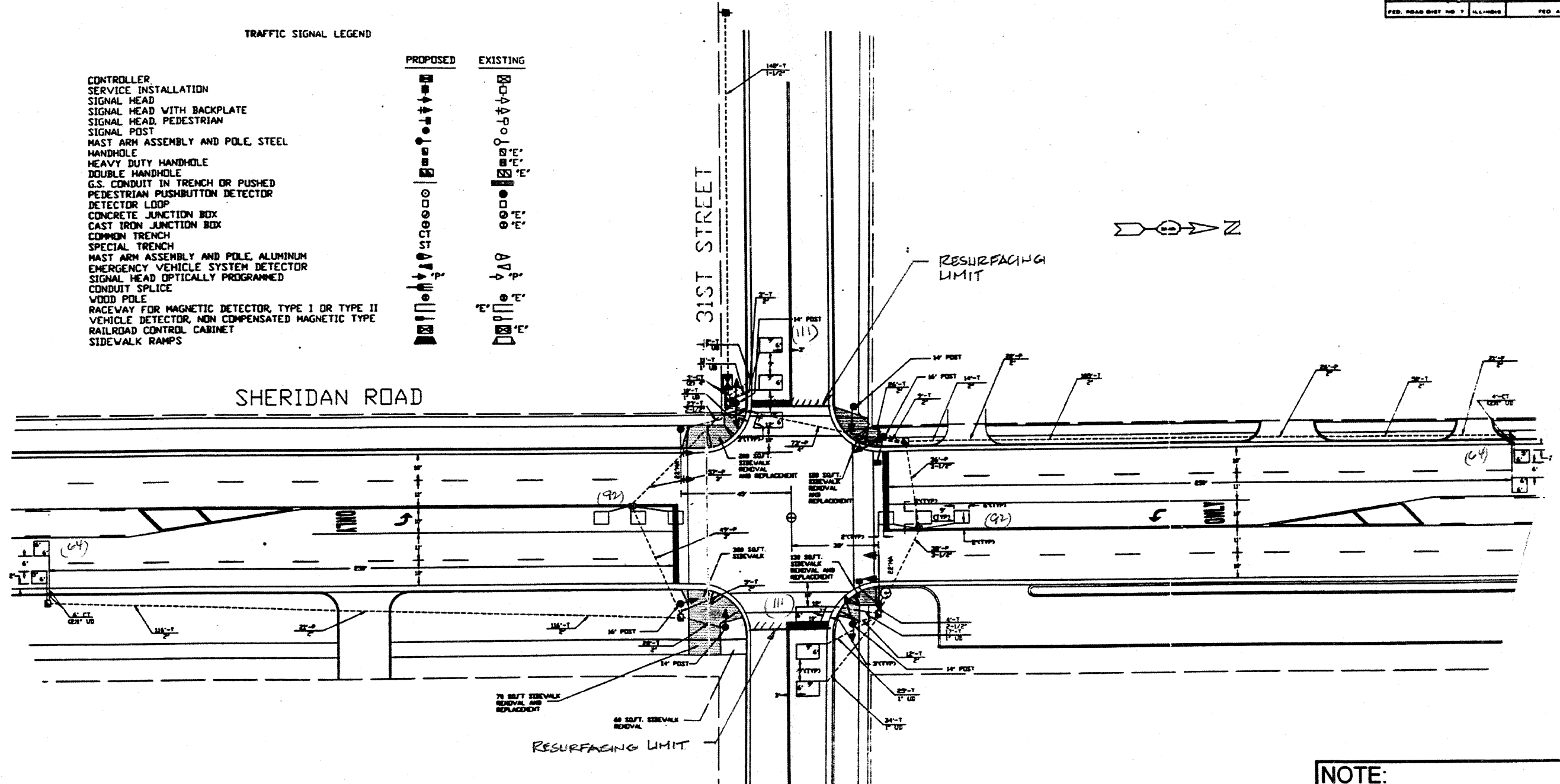
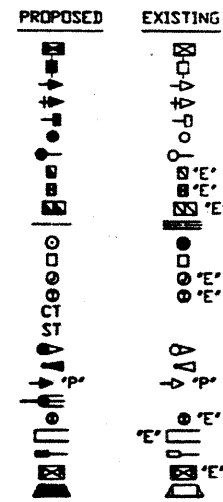


SECTION	COUNTY	TOTAL SHEETS	SHEET NO.
362 (E.M.D.) R.S. 4	LAKE	41	22
STA. TO STA.		FED. ROAD DIST. NO. 7 ILLINOIS	
		FED. AID PROJECT	

TRAFFIC SIGNAL LEGEND

- CONTROLLER
- SERVICE INSTALLATION
- SIGNAL HEAD
- SIGNAL HEAD WITH BACKPLATE
- SIGNAL HEAD, PEDESTRIAN
- SIGNAL POST
- MAST ARM ASSEMBLY AND POLE, STEEL
- HANDHOLE
- HEAVY DUTY HANDHOLE
- DOUBLE HANDHOLE
- G.S. CONDUIT IN TRENCH OR PUSHED
- PEDESTRIAN PUSHBUTTON DETECTOR
- DETECTOR LOOP
- CONCRETE JUNCTION BOX
- CAST IRON JUNCTION BOX
- COMMON TRENCH
- SPECIAL TRENCH
- MAST ARM ASSEMBLY AND POLE, ALUMINUM
- EMERGENCY VEHICLE SYSTEM DETECTOR
- SIGNAL HEAD OPTICALLY PROGRAMMED
- CONDUIT SPLICE
- WOOD POLE
- RACEWAY FOR MAGNETIC DETECTOR, TYPE I OR TYPE II
- VEHICLE DETECTOR, NON COMPENSATED MAGNETIC TYPE
- RAILROAD CONTROL CABINET
- SIDEWALK RAMPS



NOTE:
 THIS PLAN IS FOR THE PURPOSE OF REPLACING THE DETECTOR LOOPS ONLY. ALL OTHER INFORMATION SHOWN IS NOT RELATED AND WILL BE DISREGARDED.

REPLACE ALL DETECTOR LOOPS AS SHOWN
 (WITHIN THE RESURFACING LIMITS)

CODE NO.	QUANTITY	UNIT	ITEM
86600600	534	Foot	Detector Loop Replacement

REVISIONS	
NAME	DATE

ILLINOIS DEPARTMENT OF TRANSPORTATION
DETECTOR LOOP REPLACEMENT
 SHERIDAN ROAD @ 31ST STREET

SCALE: NONE
 DATE: JAN. 2007

DRAWN BY: JHE
 DESIGNED BY: JHE
 CHECKED BY: DAD