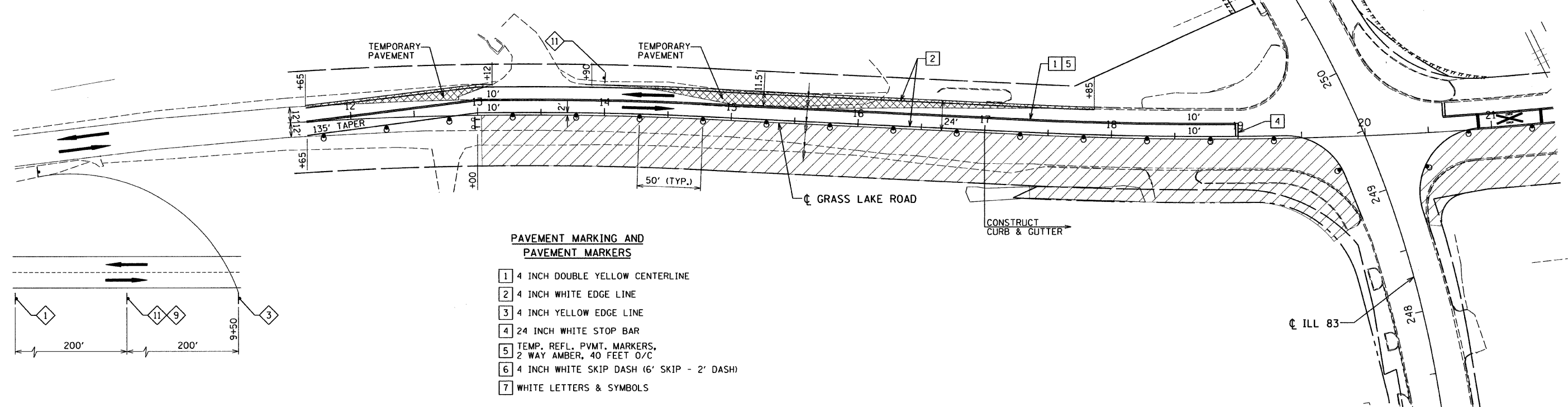
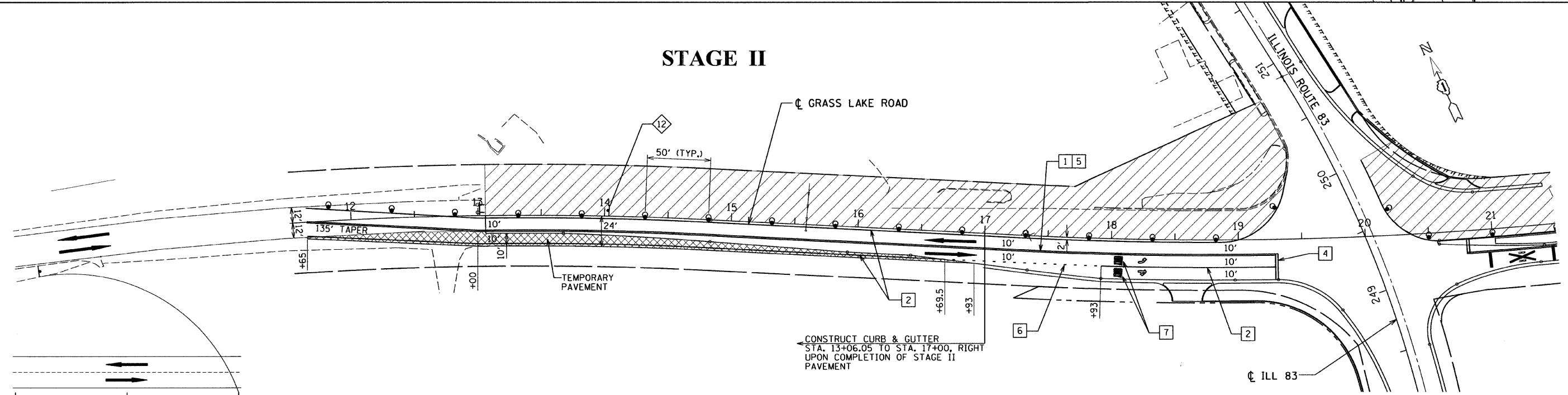


| | | | | |
|--------------------------------|---------|---------------------------|--------------|-----------|
| F.A. ROUTE NO. | SECTION | COUNTY | TOTAL SHEETS | SHEET NO. |
| 866 | * | LAKE | 554 | 91 |
| FED. ROAD DIST. NO. | | ILLINOIS FED. AID PROJECT | | |
| *(L-2(W,R);6,6A & 6 EXT) WRS-1 | | | | |

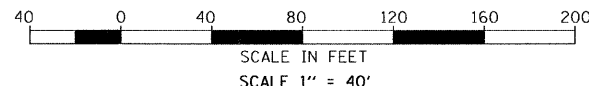
STAGE I



STAGE II



NOTE:
REFER TO TRAFFIC CONTROL
CONSTRUCTION STAGING LEGENDS SHEET



| REVISIONS | | ILLINOIS DEPARTMENT OF TRANSPORTATION ILLINOIS ROUTE 83 FROM THE WISCONSIN STATE LINE TO NORTH OF PETITE LAKE ROAD SUGGESTED CONSTRUCTION STAGING GRASS LAKE ROAD WEST OF ILLINOIS ROUTE 83 DRAWN BY: EUB CHECKED BY: MW |
|-----------|------|---|
| NAME | DATE | |
| | | |
| | | |
| | | |
| | | |
| | | |

DATE: 1/30/09

GRAEF, ANHALT, SCHLOEMER & ASSOCIATES, INC.
CHICAGO, ILLINOIS

G:\2004024\N\ms\plan\set\motat\07.cgn
1/26/2009 9:35:28 AM