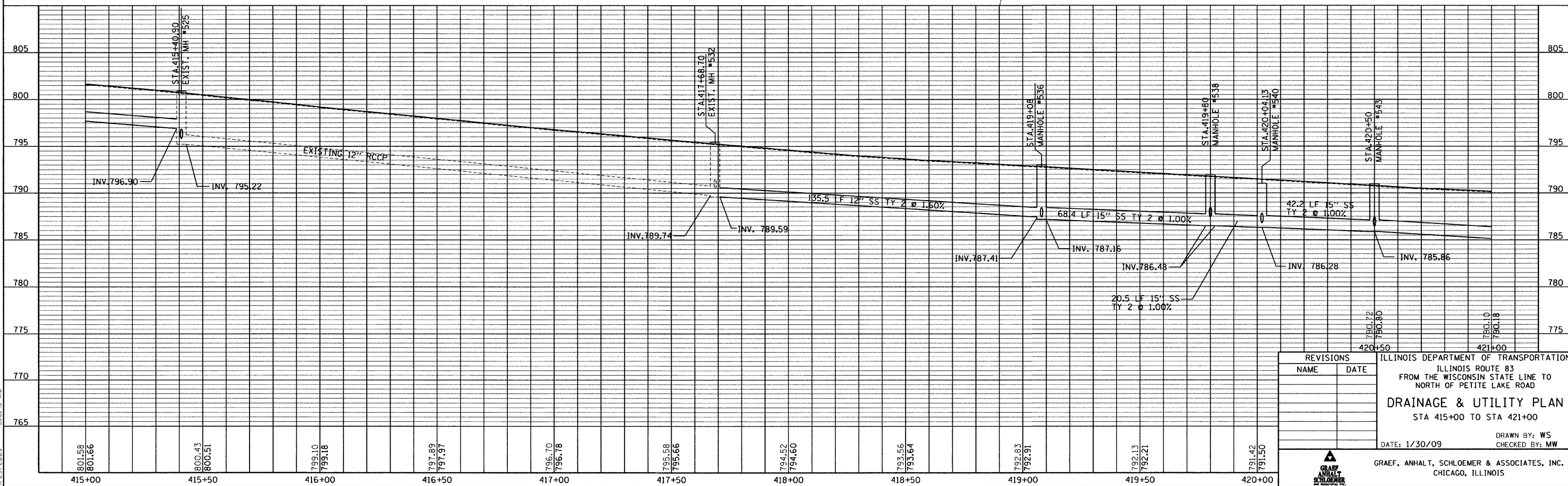
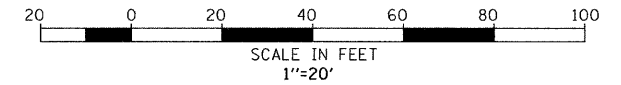
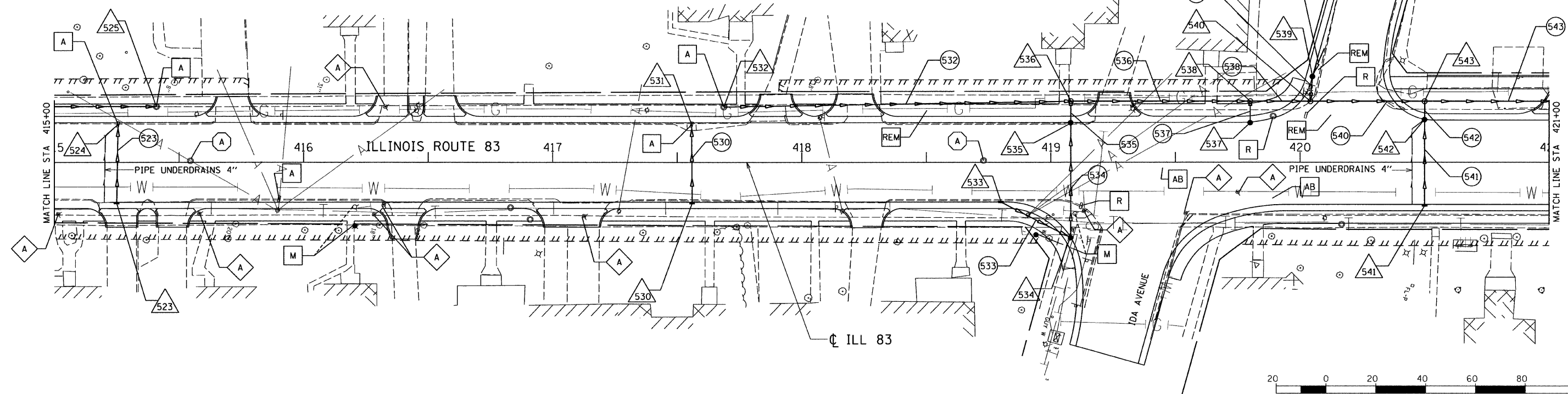


CONTRACT NO. 62700

F.A. ROUTE NO.	SECTION	COUNTY	TOTAL SHEETS	SHEET NO.
866	*	LAKE	554	151
FED. ROAD DIST. NO.	ILLINOIS	FED. AID PROJECT		

*(L-2(W,R);6,6A & 6 EXT) WRS-1



REVISIONS	
NAME	DATE

ILLINOIS DEPARTMENT OF TRANSPORTATION
 ILLINOIS ROUTE 83
 FROM THE WISCONSIN STATE LINE TO
 NORTH OF PETITE LAKE ROAD
DRAINAGE & UTILITY PLAN
 STA 415+00 TO STA 421+00
 DATE: 1/30/09
 DRAWN BY: WS
 CHECKED BY: MW
GRAEF, ANHALT, SCHLOEMER & ASSOCIATES, INC.
 CHICAGO, ILLINOIS

G:\20004024.M\ms\plan\set\20duplan07.dgn 4/23/2009 8:16:45 AM