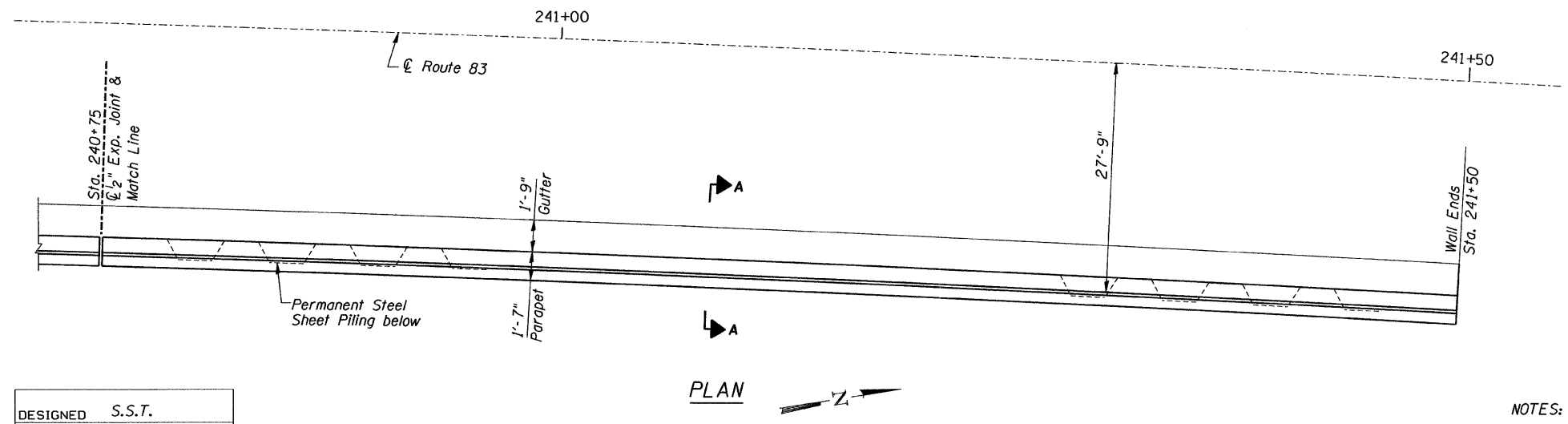
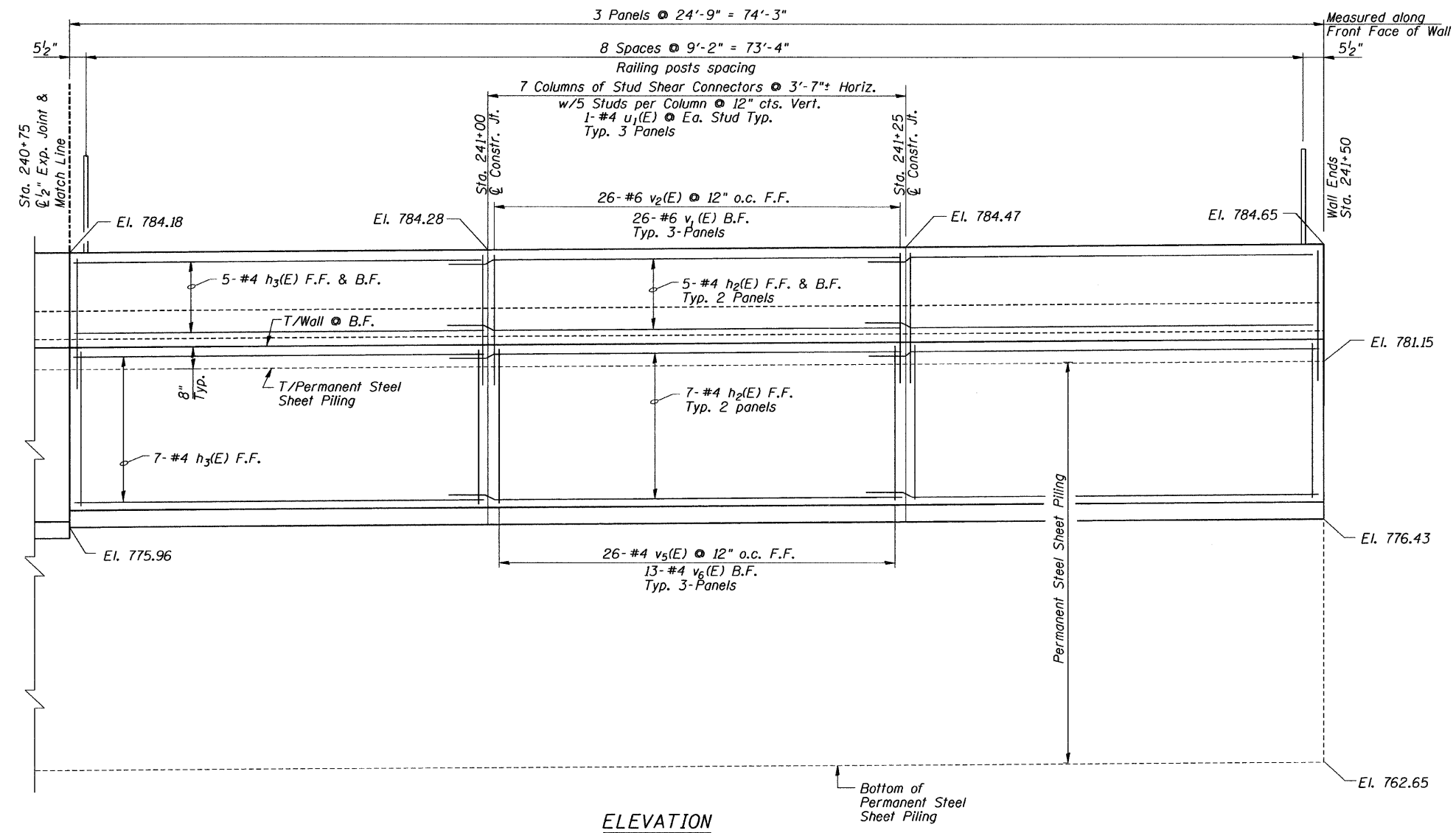


ROUTE NO.	SECTION	COUNTY	TOTAL SHEETS	SHEET NO.	SHEET NO. 4 OF 7 SHEETS
F.A.P. 866	*	LAKE	554	309	
FED. ROAD DIST. NO. 7		ILLINOIS	FED. AID PROJECT		

* (L-2[W,R];6,6A & 6 EXT) WRS-1



DESIGNED	S.S.T.
CHECKED	J.A.Z.
DRAWN	E.B.
CHECKED	S.S.T.

NOTES:
1. For Bill of Material see Sheet 5 of 7.

**RETAINING WALL NO. 1
PLAN & ELEVATION III**

ILLINOIS ROUTE 83
F.A.P. ROUTE 866
LAKE COUNTY
Sta. 238+70 to Sta. 241+50

DATE: 4/22/09
GRAEF, ANHALT, SCHLOEMER & ASSOCIATES INC
CHICAGO ILLINOIS