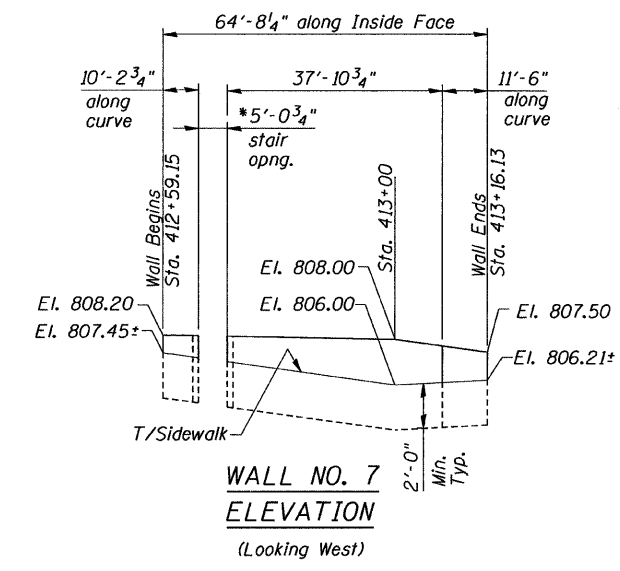
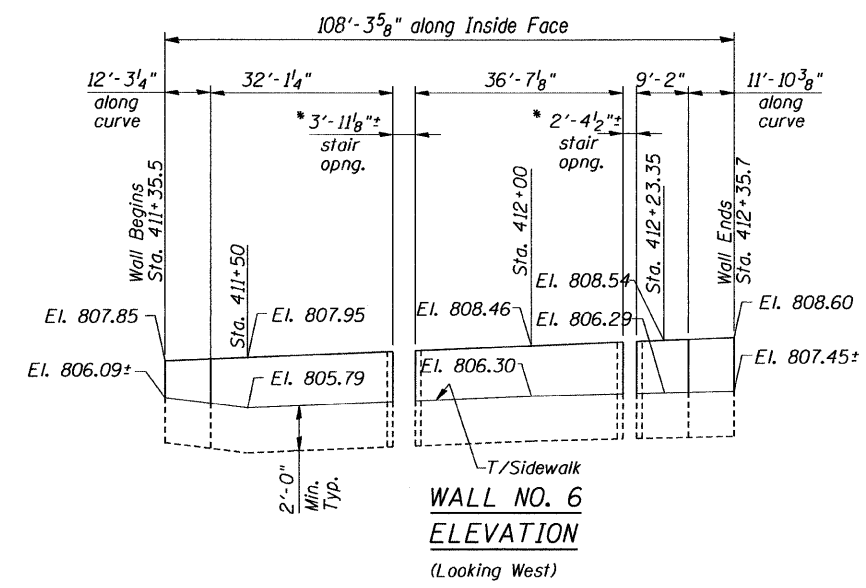
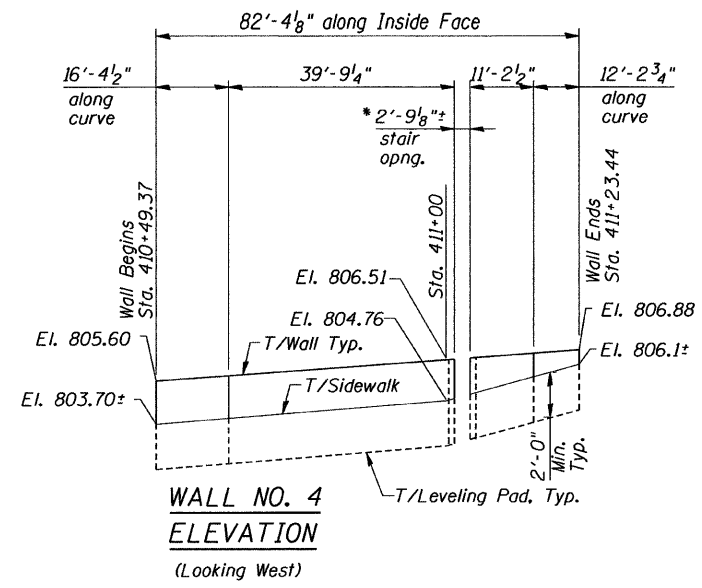
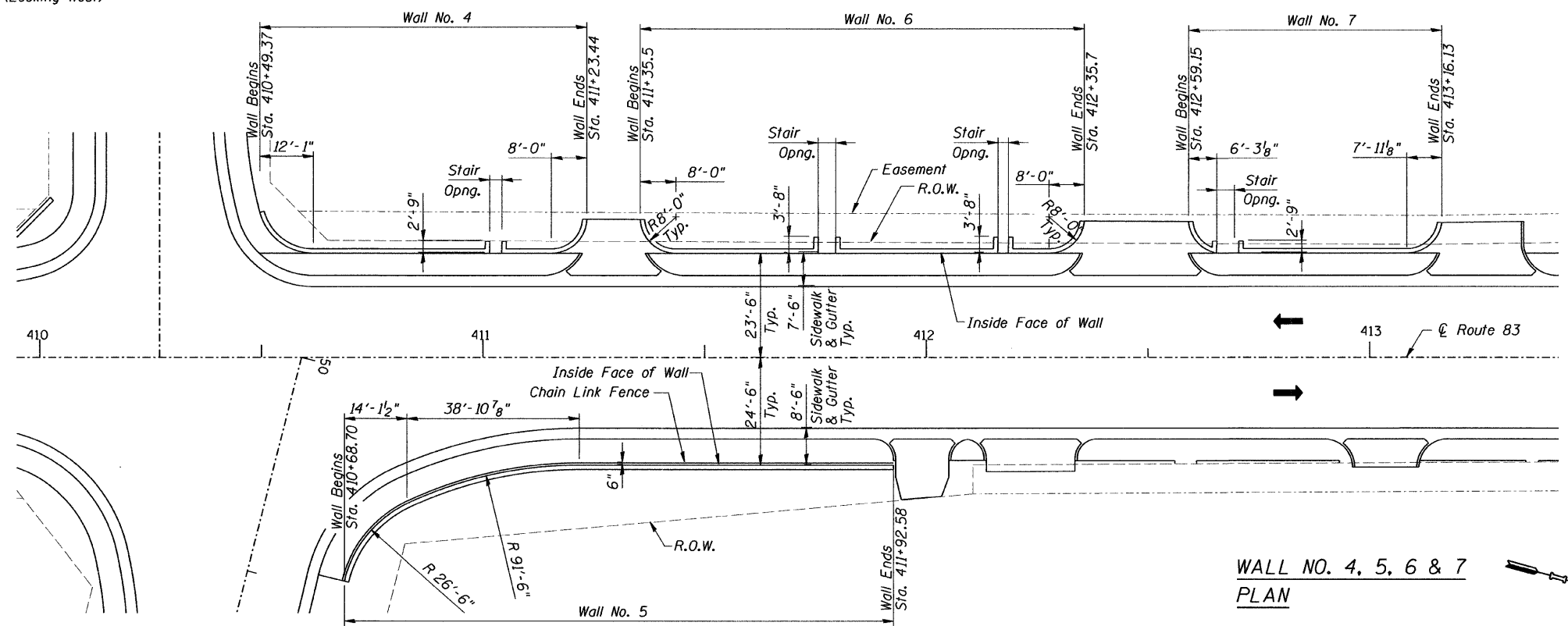
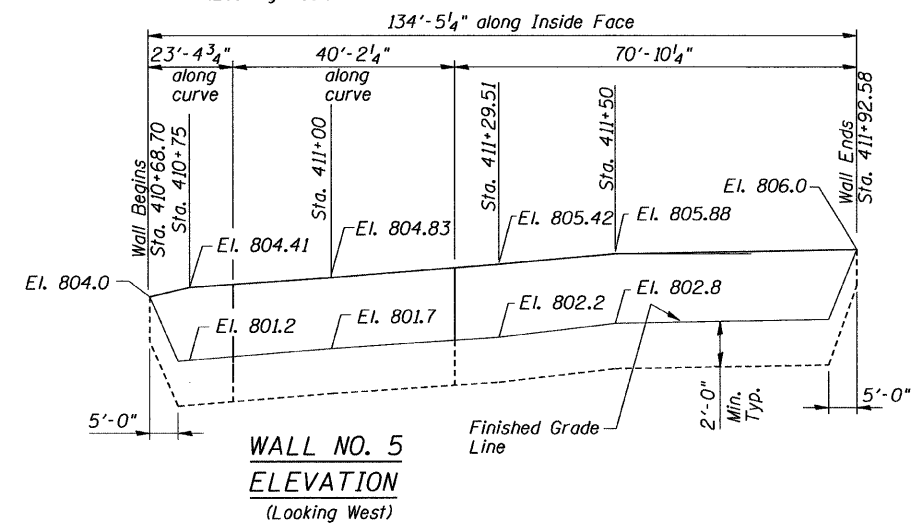


ROUTE NO.	SECTION	COUNTY	TOTAL SHEETS	SHEET NO.	SHEET NO. 2 OF 4 SHEETS
F.A.P. 866	*	LAKE	554	314	
FED. ROAD DIST. NO. 7		ILLINOIS	FED. AID PROJECT		

\* (L-2[W,R];6,6A & 6 EXT) WRS-1



Note:  
\* Wall opening matches existing stair. Construct Concrete Steps per typical section on Sheet 4 of 4.



DESIGNED	S.S.T.
CHECKED	J.A.Z.
DRAWN	E.B.
CHECKED	S.S.T.

**RETAINING WALL NO. 4, 5, 6 & 7 PLAN & ELEVATION**  
ILLINOIS ROUTE 83  
F.A.P. ROUTE 866  
LAKE COUNTY  
Sta. 407+70 to Sta. 454+96.21  
DATE: 1/30/09  
GRAEF, ANHALT, SCHLOEMER & ASSOCIATES INC  
CHICAGO ILLINOIS