

F.A. ROUTE NO.	SECTION	COUNTY	TOTAL SHEETS	SHEET NO.
866	*	LAKE	554	318
FED. ROAD DIST. NO.		ILLINOIS FED. AID PROJECT		

\*(L-2(W,R);6,6A & 6 EXT) WRS-1

**GENERAL NOTES**

DETAILS OF CONSTRUCTION, MATERIALS AND WORKMANSHIP NOT SHOWN ON THIS DRAWING SHALL CONFORM TO PERTINENT REQUIREMENTS OF THE STANDARD SPECIFICATIONS AND APPLICABLE SPECIAL PROVISIONS.

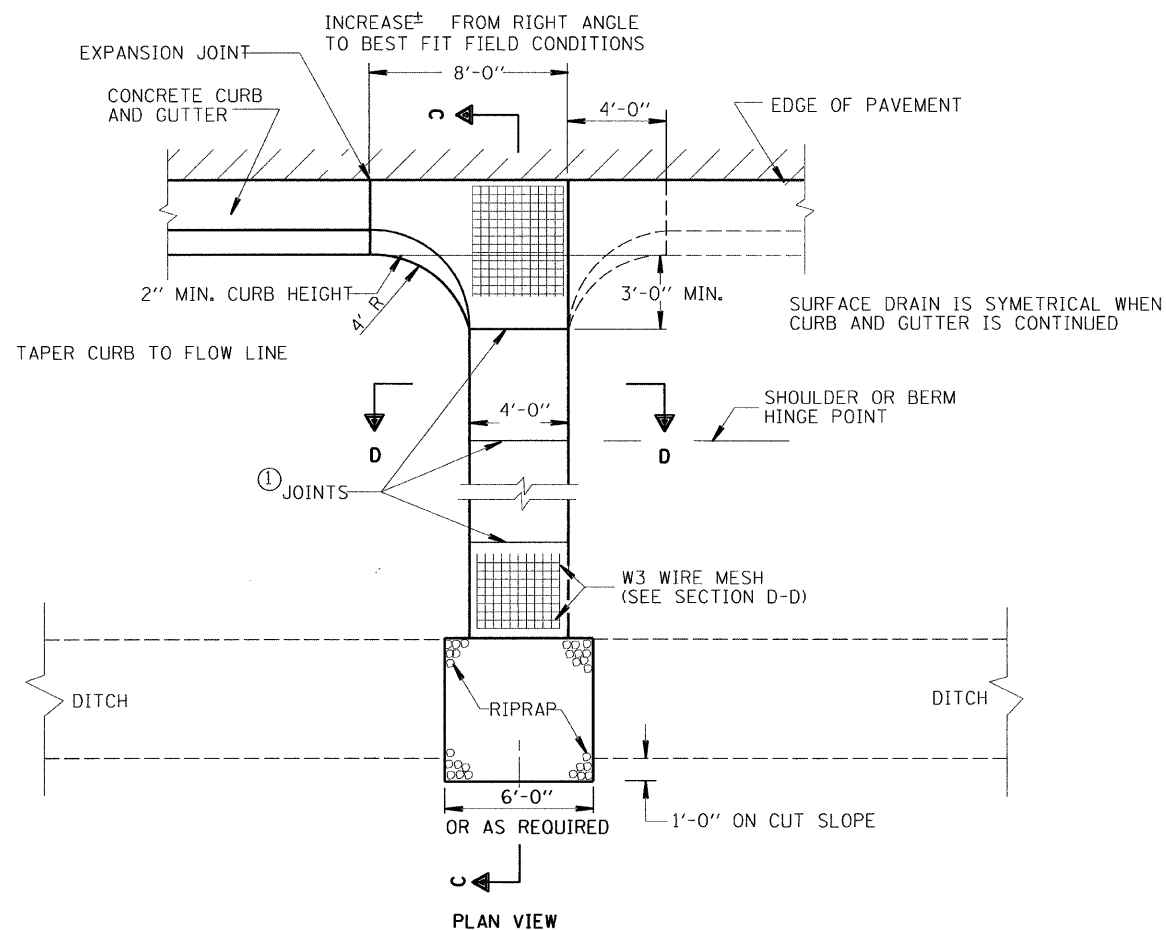
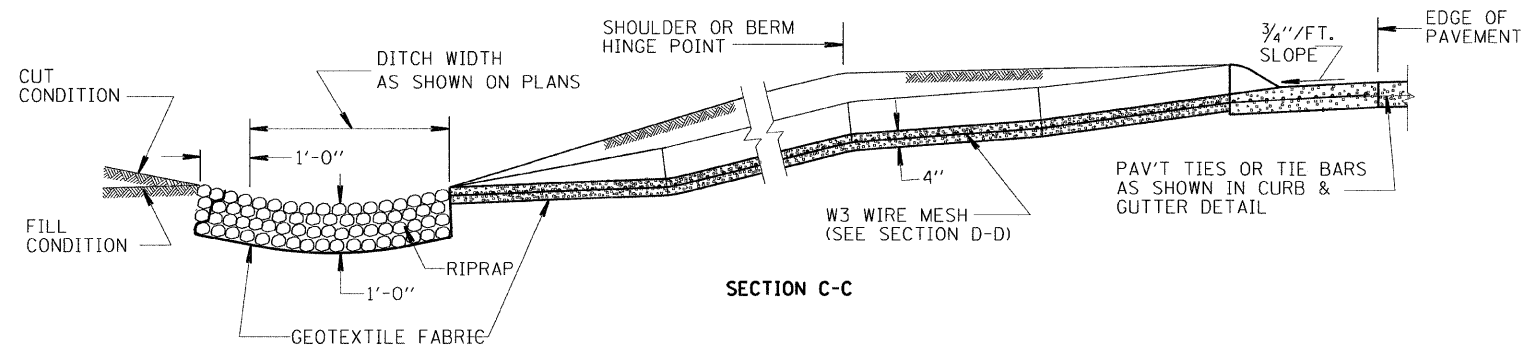
WELDED STEEL WIRE FABRIC SHALL BE IN ACCORDANCE WITH AASHTO SPECIFICATION M55.

JOINTS SHALL BE 1/8 TO 1/4 INCH WIDE BY 1 1/2 INCHES DEEP AND SPACED AT UNIFORM INTERVALS OF APPROXIMATELY 4 FEET.

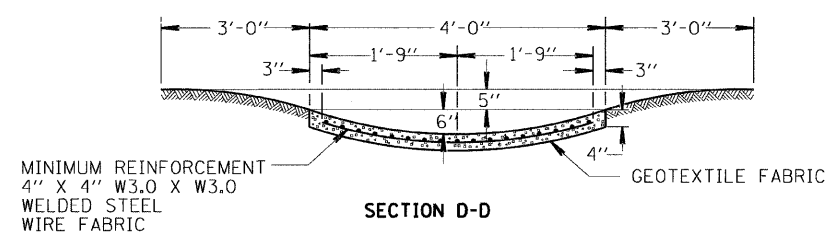
GEOTEXTILE FABRIC TYPE "R" SHALL UNDERLAY THE FULL LENGTH AND WIDTH OF THE CONCRETE SURFACE DRAIN AND RIPRAP.

CONCRETE SURFACE DRAIN WITHOUT CURB AND GUTTER MAY BE USED ON BACKSLOPES WHEN SPECIFIED

CONCRETE SURFACE DRAINS SHALL BE PAID FOR AT THE CONTRACT UNIT PRICE FOR CLASS SI CONCRETE (OUTLET). THE PRICE SHALL INCLUDE FULL COMPENSATION FOR ALL MATERIALS, LABOR, TOOLS, EQUIPMENT AND INCIDENTALS NECESSARY TO COMPLETE THE WORK.



**CONCRETE SURFACE DRAIN**



REVISIONS		ILLINOIS DEPARTMENT OF TRANSPORTATION ILLINOIS ROUTE 83 FROM THE WISCONSIN STATE LINE TO NORTH OF PETITE LAKE ROAD <b>CONCRETE SURFACE DRAIN DETAIL</b>
NAME	DATE	

DATE: 1/30/09

DRAWN BY: RJS  
CHECKED BY: RJS

**GRAEF ANHALT SCHLOEMER & ASSOCIATES, INC.**  
CHICAGO, ILLINOIS