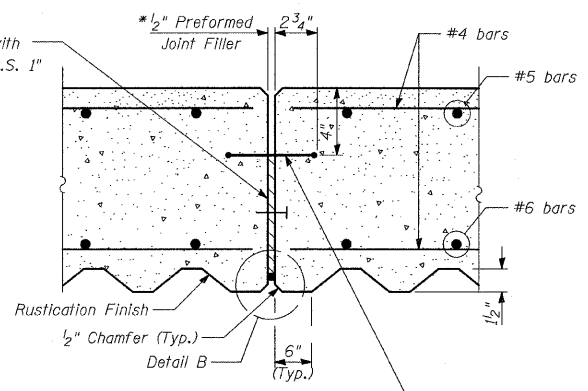
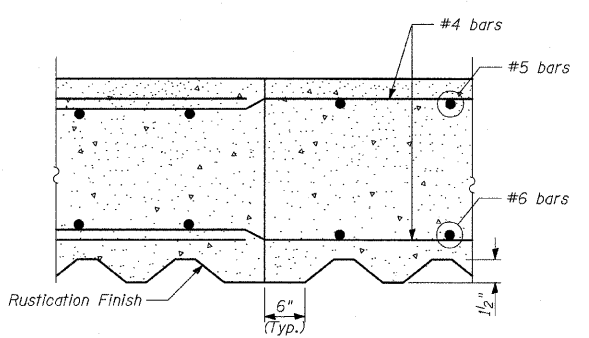


BACK FACE ELEVATION - FLUTED KNEE WALL, SPECIAL AND CHAIN LINK FENCE

* 1/2" Preformed Joint Filler with Concrete Walls, Flat Head C.S. 1" Long @ 12" Cts. Vertical.



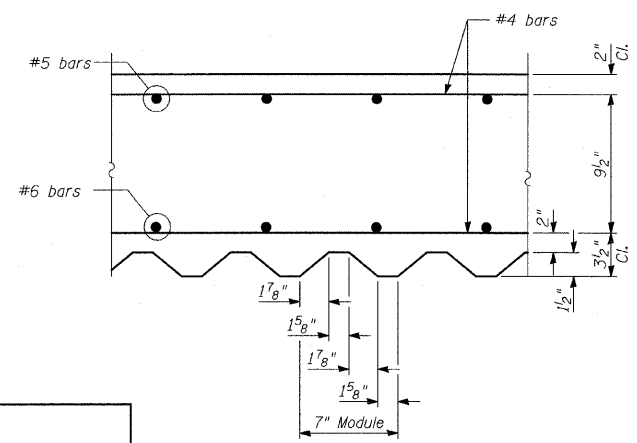
EXPANSION JOINT DETAILS



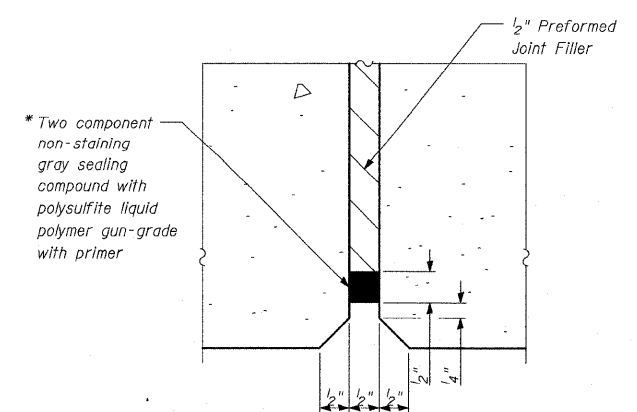
CONSTRUCTION JOINT DETAILS

LAP SPLICES

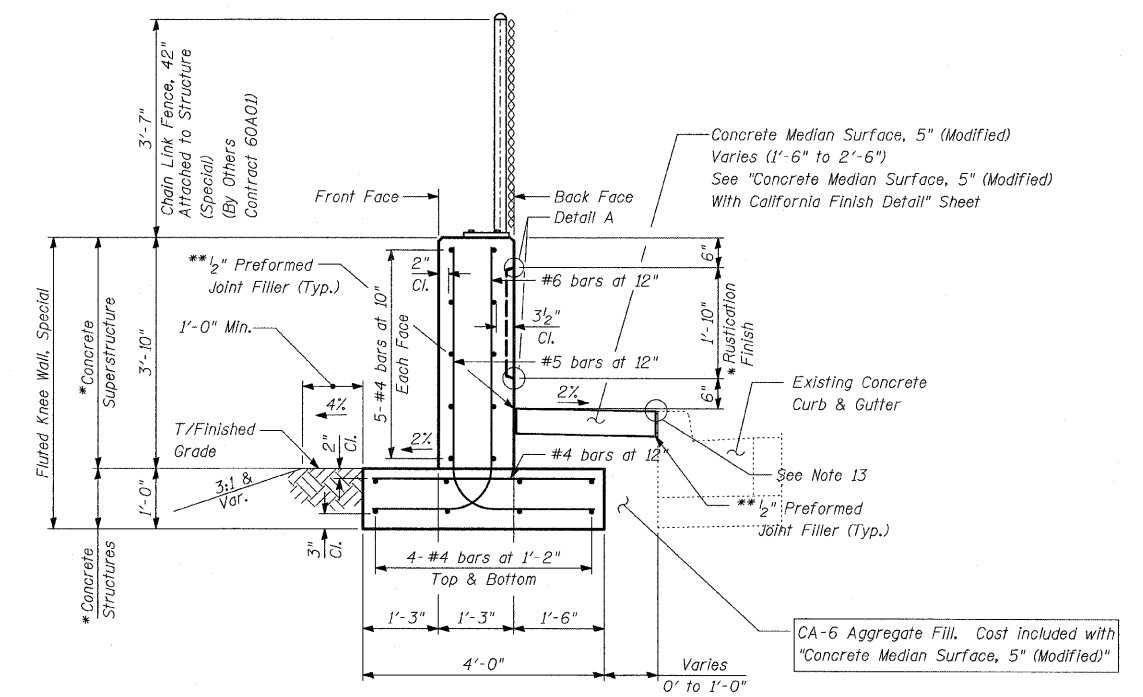
Bar	Lap
#4	1'-8"
#5	2'-2"
#6	2'-7"



SECTION A-A



DETAIL B



TYPICAL SECTION FLUTED KNEE WALL, SPECIAL
Sta. 2251+13.9 to Sta. 2251+19.3

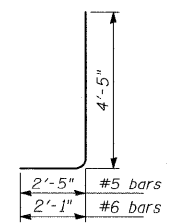
NOTES:
1. For notes, see sheet "Fluted Knee Wall Standard Details."

BILL OF MATERIAL

QUANTITIES PER LINEAR FOOT OF FLUTED KNEE WALL, SPECIAL		
ITEM	UNIT	TOTAL
Concrete Structures	CU YD	0.15
Concrete Superstructure	CU YD	0.18
Protective Coat	SQ YD	1.02
Rustication Finish	SQ FT	1.84
Reinforcement Bars, Epoxy Coated	POUND	31.4

* Cost included with "Fluted Knee Wall, Special"

** Cost included with "Concrete Median Surface, 5" (Modified)"



BAR BEND DETAILS

TYLIN INTERNATIONAL

REVISIONS	
NAME	DATE

ILLINOIS DEPARTMENT OF TRANSPORTATION
F.A.I. 94 (DAN RYAN EXPRESSWAY)
N. OF 89TH ST. TO S. OF 87TH ST.
FLUTED KNEE WALL, SPECIAL
STANDARD DETAILS
S.N. DESIGNED BY: MAF
SCALE: N.T.S. DRAWN BY: MAF, TB
DATE: OCTOBER 17, 2008 CHECKED BY: MI