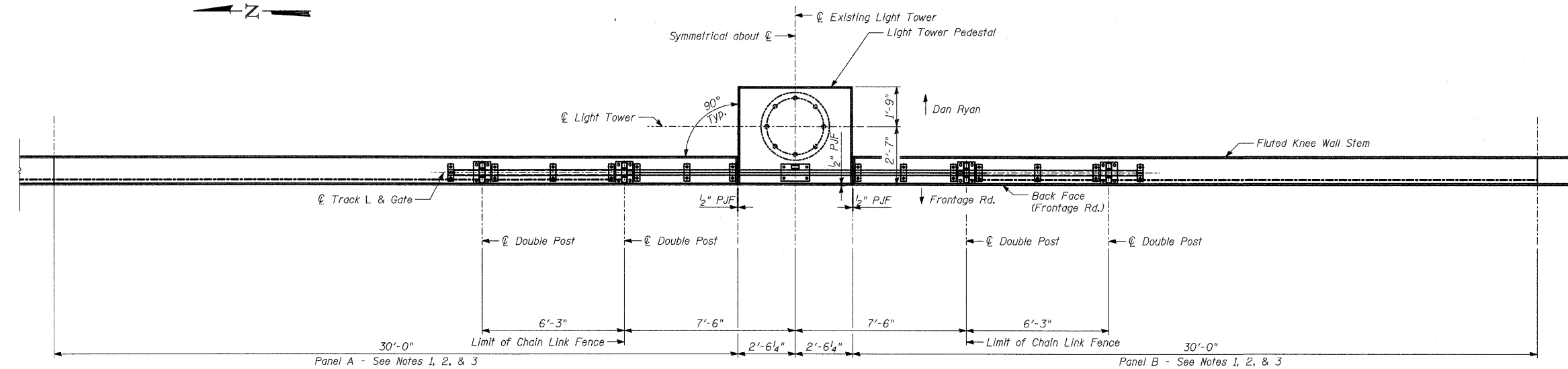
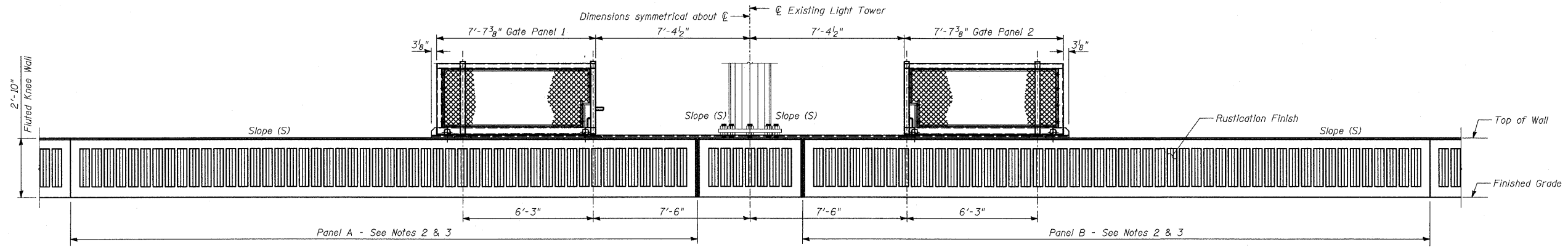


F.A.I. RTE.	SECTION	COUNTY	TOTAL SHEETS	SHEET NO.
94	1717 I-7	COOK	47	30
STA. 1259+91.12		TO STA. 1270+24.39		
FED. ROAD DIST. NO.	ILLINOIS	FED. AID PROJECT		

62979



PLAN - LIMITS OF CHAIN LINK GATE ASSEMBLY IN OPEN POSITION



BACK FACE ELEVATION - LIMITS OF CHAIN LINK GATE ASSEMBLY IN OPEN POSITION

NOTES:

1. The Chain Link Gate Assembly (Special), and the Chain Link Gate (Special) are not included in this contract, but shall be furnished and installed by others in Contract 60A02.
2. Panels A & B shall be constructed to be aligned with the Back Face of existing High Mast Light Tower (HMLT).
3. The Slope (S) at the top of panels A & B and the HMLT foundation shall be the same.

TYLININTERNATIONAL

REVISIONS	
NAME	DATE

ILLINOIS DEPARTMENT OF TRANSPORTATION
 F.A.I. 94 (DAN RYAN EXPRESSWAY)
 FLUTED KNEE WALL, SPECIAL
 ALONG LAFAYETTE AVE.
 S. 87TH ST. TO S. OF 85TH ST.
 FLUTED KNEE WALL AT HMLT

S.N. DESIGNED BY: MAF
 SCALE: N.T.S. DRAWN BY: MAF, TB
 DATE: OCTOBER 17, 2008 CHECKED BY: PF

10/16/2008 4:06:58 PM P:\0237\Structure\c66c\vw\2626\rs1033.dwg