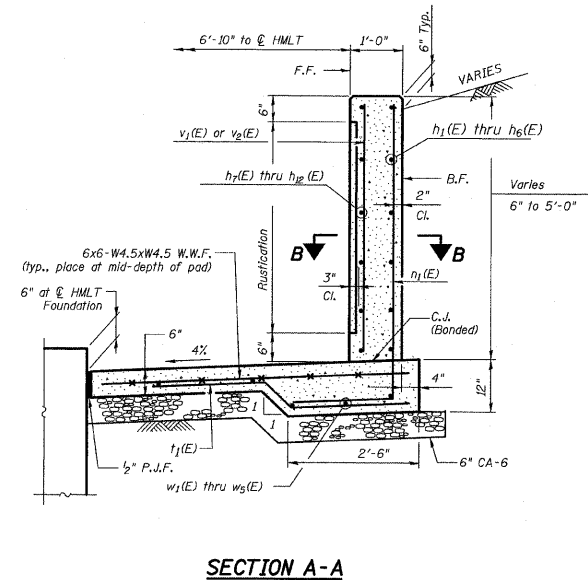
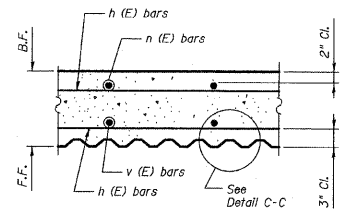


F.A.I. RTE.	SECTION	COUNTY	TOTAL SHEETS	SHEET NO.
94	2005-069 LS	COOK	60	47
STA. 1259+91.12 TO STA. 1270+24.39		FED. ROAD DIST. NO. ILLINOIS FED. AID PROJECT		

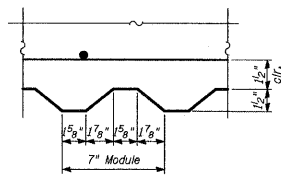
60A75



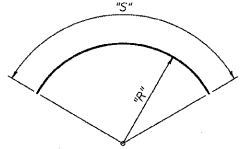
SECTION A-A



SECTION B-B



DETAIL C-C



Bar	R"	S"
h1(E)	7'-7"	23'-6"
h2(E)	7'-7"	20'-10"
h3(E)	7'-7"	17'-8"
h4(E)	7'-7"	14'-6"
h5(E)	7'-7"	11'-4"
h6(E)	7'-7"	8'-2"
h7(E)	7'-7"	22'-1"
h8(E)	7'-7"	19'-7"
h9(E)	7'-7"	16'-7"
h10(E)	7'-7"	13'-7"
h11(E)	7'-7"	10'-8"
h12(E)	7'-7"	7'-8"
w1(E)	7'-7"	24'-4"
w2(E)	6'-8"	21'-7"
w3(E)	5'-10"	18'-10"
w4(E)	4'-9"	15'-5"
w5(E)	3'-6"	11'-6"

BARS w1(E) thru w5(E) & h1(E) thru h12(E)

BILL OF MATERIAL
Light Tower Service Pad, Special with 5'-0" Wall (Note 4)

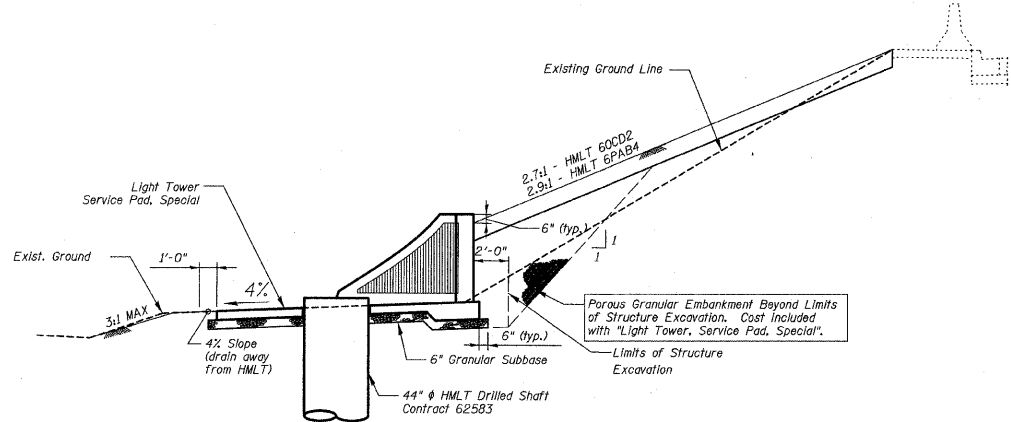
Bar	No.	Size	Length	Shape
h1(E)	1	#5	23'-6"	[Diagram]
h2(E)	1	#5	20'-10"	[Diagram]
h3(E)	1	#5	17'-8"	[Diagram]
h4(E)	1	#5	14'-6"	[Diagram]
h5(E)	1	#5	11'-4"	[Diagram]
h6(E)	1	#5	8'-2"	[Diagram]
h7(E)	1	#4	22'-1"	[Diagram]
h8(E)	1	#4	19'-7"	[Diagram]
h9(E)	1	#4	16'-7"	[Diagram]
h10(E)	1	#4	13'-7"	[Diagram]
h11(E)	1	#4	10'-8"	[Diagram]
h12(E)	1	#4	7'-8"	[Diagram]
n1(E)	25	#6	7'-4"	[Diagram]
n2(E)	25	#6	5'-0"	[Diagram]
v1(E)	7	#4	5'-0"	[Diagram]
v2(E)	8	#4	4'-8"	[Diagram]
w1(E)	1	#5	24'-4"	[Diagram]
w2(E)	1	#5	21'-7"	[Diagram]
w3(E)	1	#5	18'-10"	[Diagram]
w4(E)	1	#5	15'-5"	[Diagram]
w5(E)	1	#5	11'-6"	[Diagram]

NOTES

1. F.F. and B.F. denote Front Face and Back Face, respectively.
2. HMLT denotes High Mast Light Tower.
3. See IDOT Standard Drawing BE501 for additional High Mast Light Tower foundation and ground well details.
4. Reinforcement Bars designated (E) shall be epoxy coated.
5. Refer to High Mast Light Tower Service Pad, Special & Retaining Wall Details 1 for location and orientation of conduit sleeves and grounding wells.
6. Contractor shall maintain integrity of Frontage Roads as may be required in excavating for HMLT service pad walls.
7. Provide Protective Coat to top, front face, exposed portion of back face, and ends of walls, and top and edges of pad.

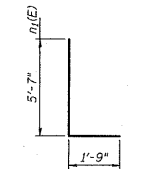
TOTAL BILL OF MATERIAL

Item	Unit	Total
Light Tower, Service Pad, Special	Each	2

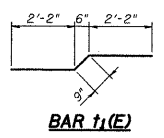


SECTION THRU EMBANKMENT

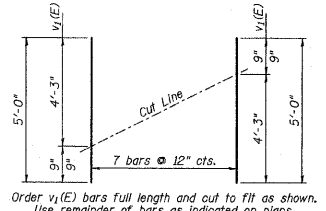
(At Typ. Tower Location)
HMLT not shown for clarity



BAR n1(E)



BAR h1(E)



*CUTTING DIAGRAM
Bars v1(E)

BILL OF MATERIAL

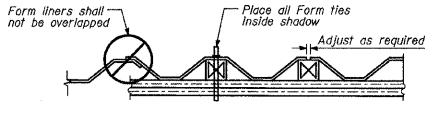
Item	Unit	Total
Welded Wire Fabric	Sq. Yd.	18
Structure Excavation	Cu. Yd.	11
Concrete Structures	Cu. Yd.	7.2
Reinforcement Bars, Epoxy Coated	Pound	775
Rustication Finish	Sq. Ft.	55
Protective Coat	Sq. Yd.	29
Sub-Base Granular Material, Type B 6"	Sq. Yd.	22
Porous Granular Embankment	Cu. Yd.	48

REVISIONS	
NAME	DATE

ILLINOIS DEPARTMENT OF TRANSPORTATION
F.A.I. 94 (DAN RYAN EXPRESSWAY)
HIGH MAST LIGHT TOWER SERVICE PAD,
SPECIAL & RETAINING WALL DETAILS
SHEET 2 OF 2

DESIGNED BY: MAF
DRAWN BY: MAF, TB
CHECKED BY: PF

SCALE: N.T.S.
DATE: JUNE 20, 2008



SUGGESTED FORMWORK DETAIL

TYLIN INTERNATIONAL

FOR INFORMATION ONLY

REVISIONS	
NAME	DATE

ILLINOIS DEPARTMENT OF TRANSPORTATION
F.A.I. 94 (DAN RYAN EXPRESSWAY)
HIGH MAST LIGHT TOWER SERVICE PAD,
SPECIAL & RETAINING WALL DETAILS
SHEET 2 OF 2
FOR INFORMATION ONLY

SCALE: N.T.S.
DATE: OCTOBER 17, 2008

DRAWN BY: JDF
CHECKED BY: JPM

10/16/2008 4:06:58 PM