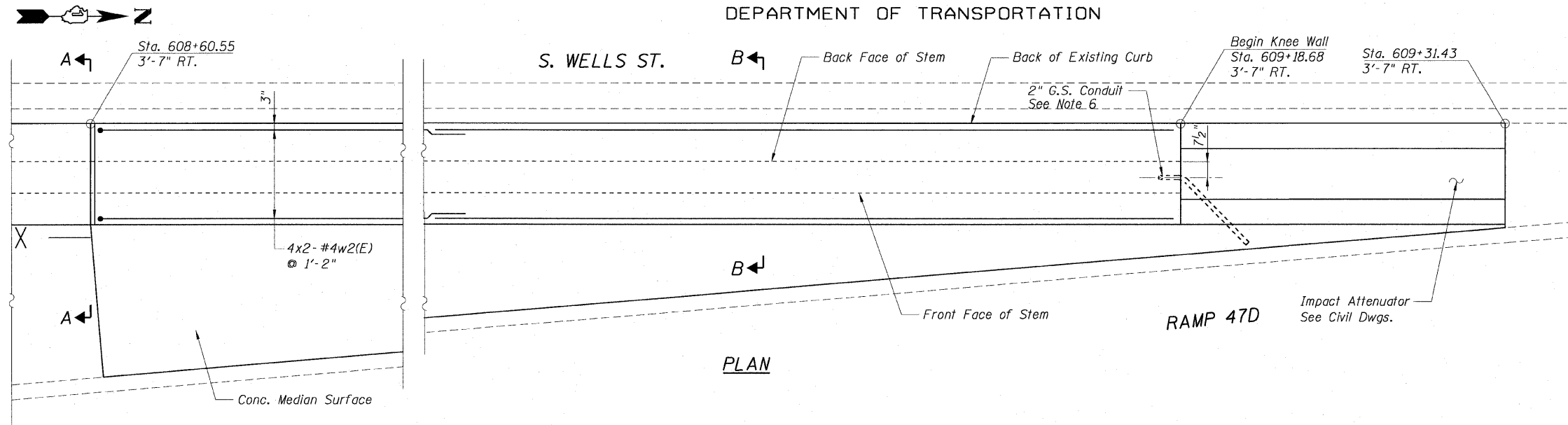


STATE OF ILLINOIS  
DEPARTMENT OF TRANSPORTATION

F.A.I. RTE.	SECTION	COUNTY	TOTAL SHEETS	SHEET NO.
90/94		COOK	28	23
STA.	TO STA.			
FED. ROAD DIST. NO. 1	ILLINOIS	FED. AID PROJECT		
• (2021-922 PT1 & 2122-921 PT1) I-2 62987				



PLAN

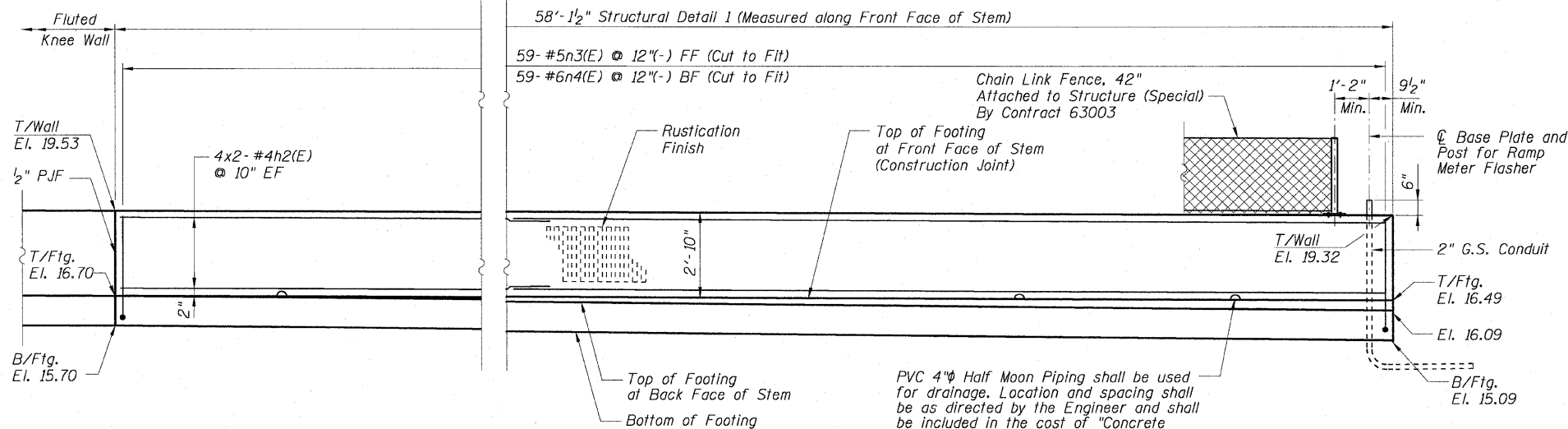
BILL OF MATERIAL

Bar	No.	Size	Length	Shape
h2(E)	16	#4	30'-0"	—
n3(E)	59	#5	6'-2"	┌
n4(E)	59	#6	5'-10"	┌
w2(E)	8	#4	30'-0"	—
Item Unit Quantity				
Concrete Structures	Cu. Yd.	9.9		
Concrete Superstructure	Cu. Yd.	7.6		
Reinforcement Bars, Epoxy Coated	Pound	1380		
Rustication Finish	Sq. Ft.	105		
Protective Coat	Sq. Yd.	64		

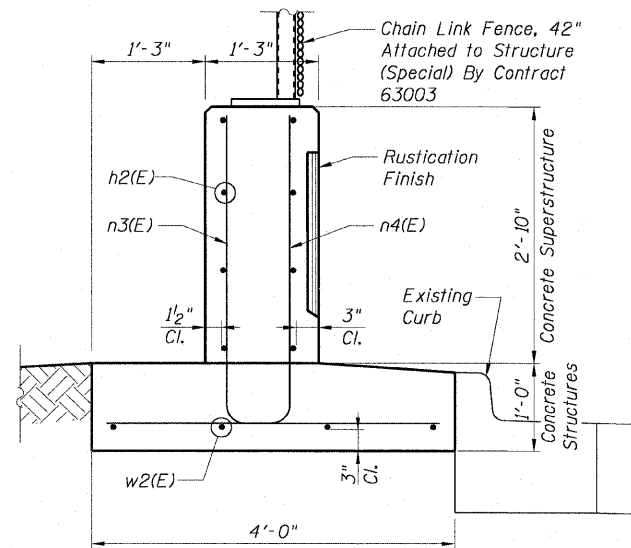
NOTES:

- For location of Fluted Knee Wall, see Civil Drawings. Stations and offsets are measured from the @ S. Wells St. to the Wells St. edge of the footing.
- Reinforcement bar shall conform to the requirements of AASHTO M-31 or M-322 Grade 60.
- Concrete:  $f'c = 3500$  psi
- At locations where Fluted Knee Wall abuts a rigid structure, a  $\frac{1}{2}$ " thick preformed expansion joint filler (PJF) conforming to the shape of the structure shall be installed between the wall and the structure.  $\frac{3}{4}$ " PJF shall be installed where Fluted Knee Wall footing abuts curb and gutter. The cost shall be included in "Concrete Structures".
- A protective coat shall be applied according to Section 503.19 of the Standard Specifications to all concrete surfaces not in contact with soil for Structural Detail 1.
- 2" G.S. Conduit shall connect to existing handhole in shoulder. See Electrical drawings for details.
- Chain Link Fence will not be paid for in this Contract, but shall be furnished and installed in Contract 63003.
- For dimensions and details not shown in the sections, see Standard Knee Wall Details Sheet S1.
- Minimum lap for #4 bars shall be 1'-8".
- BF = Back Face  
EF = Each Face  
FF = Front Face

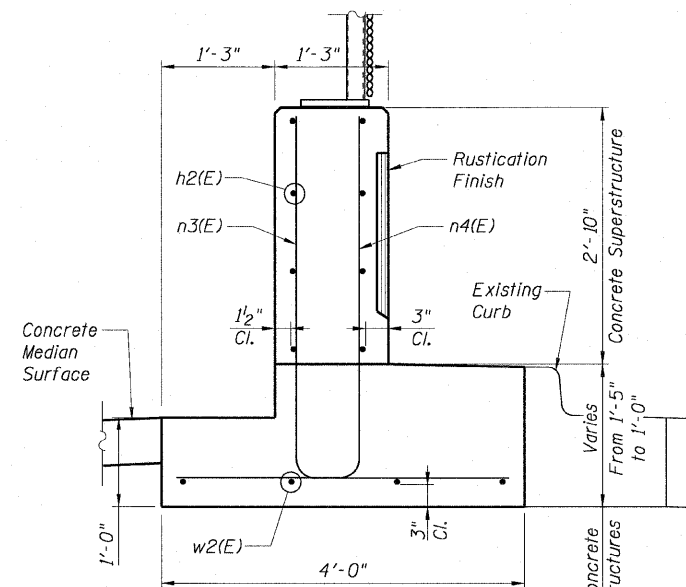
Sheet S2 of 3



ELEVATION



SECTION A-A



SECTION B-B

AECOM

REVISIONS	
NAME	DATE

ILLINOIS DEPARTMENT OF TRANSPORTATION  
F.A.I. 90/94 (DAN RYAN EXPRESSWAY)  
59TH ST TO 47TH ST (SOUTHBOUND KNEE WALLS)  
STRUCTURAL DETAIL 1  
RAMP 47D GORE  
STA. 608+60.55 TO STA. 609+18.68  
WELLS STREET  
SCALE: None DRAWN BY: CHD  
DATE: JANUARY 14, 2009 CHECKED BY: MJP

12/26/09 17/13/2009