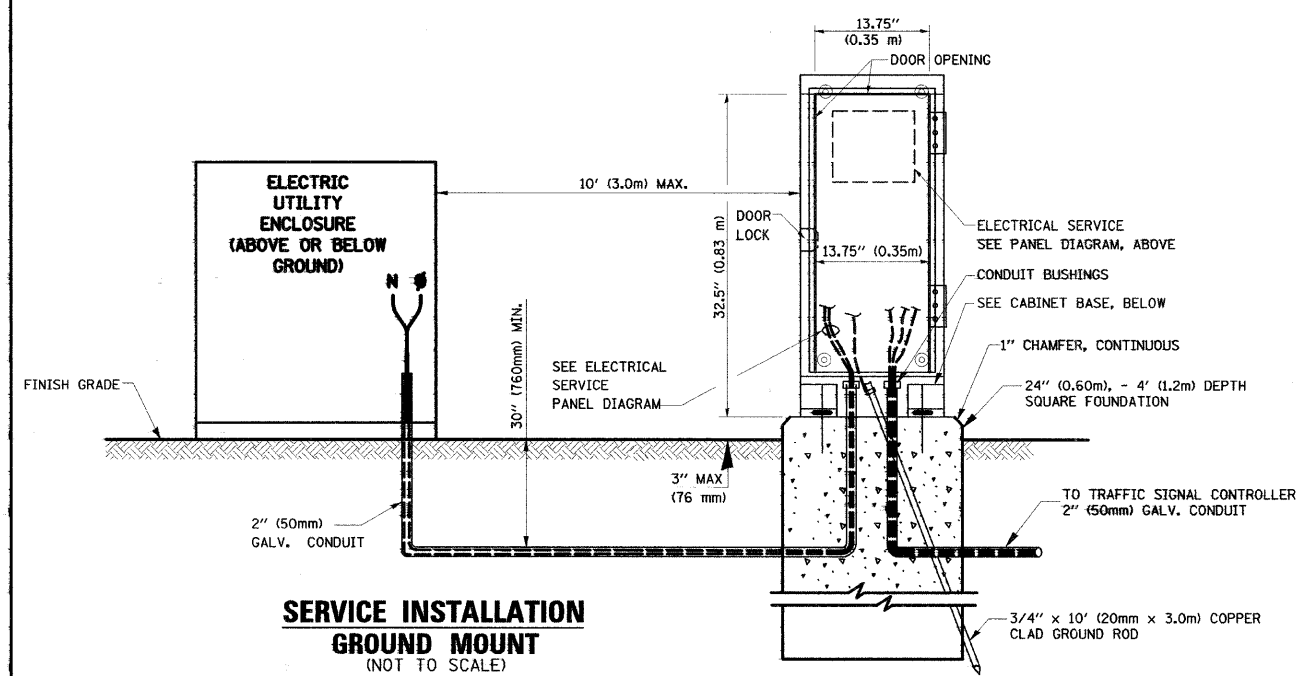
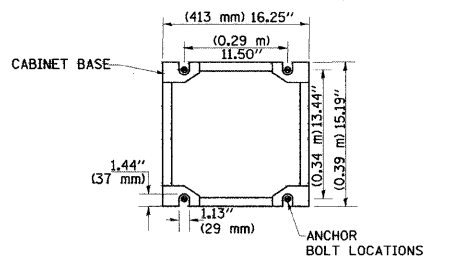


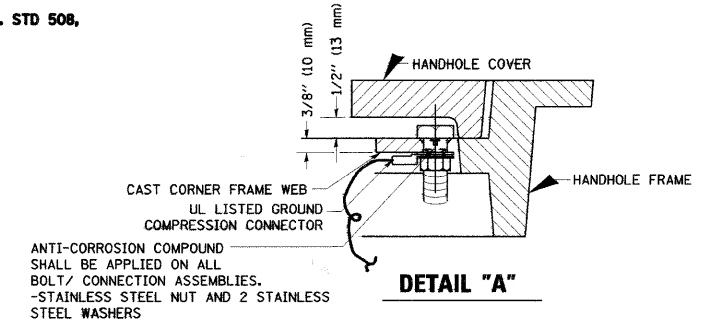
ELECTRICAL SERVICE - PANEL DIAGRAM (TYPICAL FOR POLE AND GROUND MOUNTED SERVICE)
SERVICE INSTALLATION POLE MOUNT (SHOWN)
 (NOT TO SCALE)



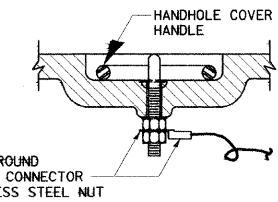
SERVICE INSTALLATION GROUND MOUNT
 (NOT TO SCALE)



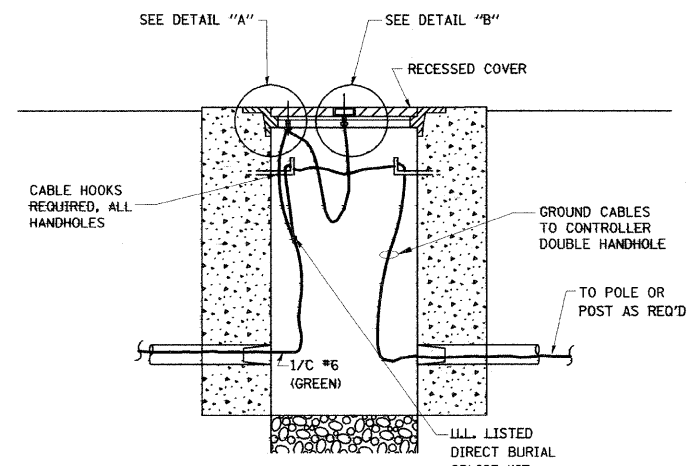
CABINET - BASE BOLT PATTERN
 (NOT TO SCALE)



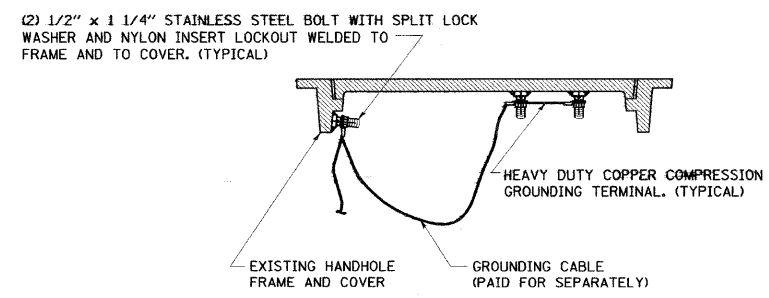
DETAIL "A"



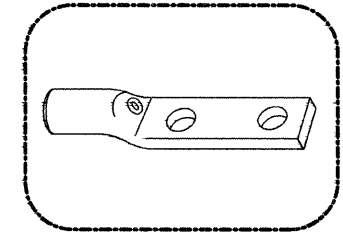
DETAIL "B"



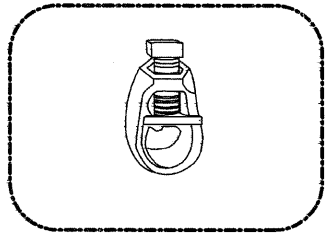
HANDHOLE COVER & FRAME - GROUNDING DETAIL
 (NOT TO SCALE)



EXISTING HANDHOLE COVER & FRAME - GROUNDING DETAIL
 (NOT TO SCALE)



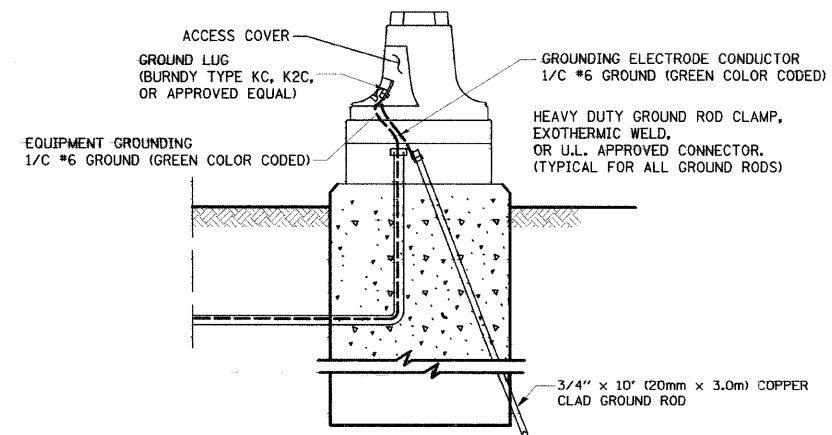
HEAVY-DUTY COMPRESSION TERMINAL
 (BURNDY TYPE YGHA OR APPROVED EQUAL)



3/4" (20mm) HEAVY-DUTY GROUND ROD CLAMP
 (BURNDY TYPE GRC OR APPROVED EQUAL)

NOTES:

- ALL CLAMPS SHALL BE BRONZE OR COPPER, U.L. APPROVED.
- GROUND CABLE SHALL BE LOOPED OVER HOOKS IN THE HANDHOLES. 6.5' (2.0m) SLACK SHALL BE PROVIDED IN SINGLE HANDHOLES. 13' (4.0m) OF SLACK SHALL BE PROVIDED IN DOUBLE HANDHOLES. 5' (1.4m) OF SLACK SHALL BE PROVIDED BETWEEN FRAME AND COVER.



MAST ARM POLE / POST-GROUNDING DETAIL
 (NOT TO SCALE)

SEC Group, Inc.
 Engineering • Consulting • Training • Landscape Architecture
 223 Adams Drive, New Lanark, IL 60451
 1 815.462.9326 F 815.462.9328
 PROJECT CONTACT: T. GIBBY, SUPERVISOR, P.E.
 TELEPHONE: 815.462.9327 FAX: 815.462.9328
 SEC. MAIL: 60451-0001 3/13/2009

USER NAME = s.johnson
PLOT SCALE = NONE
PLOT DATE = 3/13/2009

DESIGNED - TSC	REVISIONS
DRAWN - RCB	REVISIONS
CHECKED - APS	REVISIONS
DATE - 3/13/09	REVISIONS

REVISIONS	REVISIONS
REVISIONS	REVISIONS
REVISIONS	REVISIONS
REVISIONS	REVISIONS

PLANS FOR PROPOSED FEDERAL AID HIGHWAY
FAU ROUTE 1686 (94TH AVE) AND
FAU ROUTE 1603 (151ST ST)
VILLAGE OF ORLAND PARK

SCALE: NONE	SHEET NO. 6 OF 16 SHEETS	STA.	TO STA.
-------------	--------------------------	------	---------

DISTRICT ONE
STANDARD TRAFFIC SIGNAL
DESIGN DETAILS

FAU RTE 1686/1603	SECTION 08-00065-00-TL	COUNTY COOK	TOTAL SHEETS 16	SHEET NO. 6
CONTRACT NO. 63050				
FED. ROAD DIST. NO. 1 ILLINOIS FED. AID PROJECT				