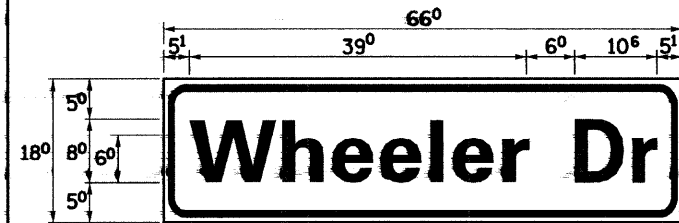


PANEL SIGN DESIGN TYPE 1



MA-1/MA-3
8.25 Sq. Ft each
2 Required
Design Series D

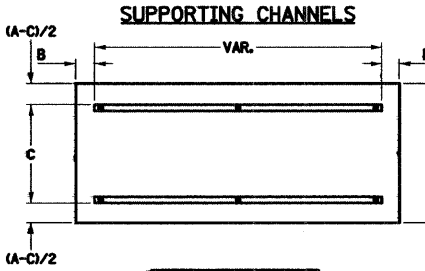
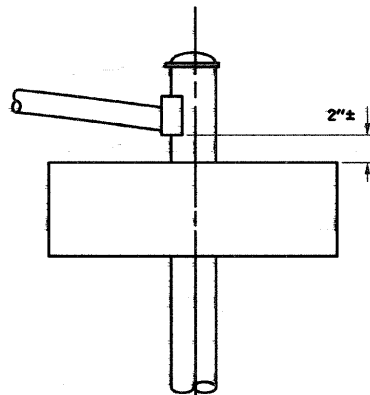
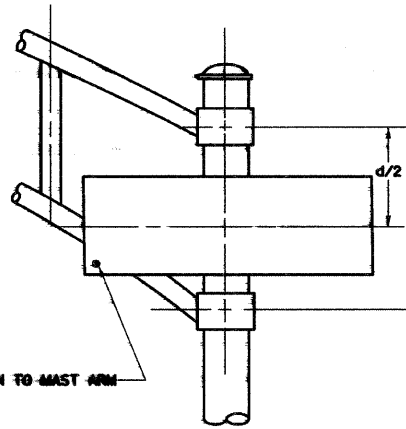


Table with columns A, B, C and rows 18", 2", 12"; 30", 2", 22"

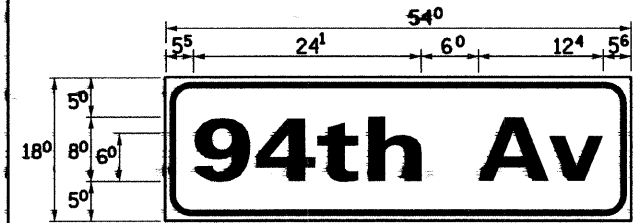
SIGNFIX ALUMINUM CHANNEL FRAMING SYSTEM shall be used. See Note #5



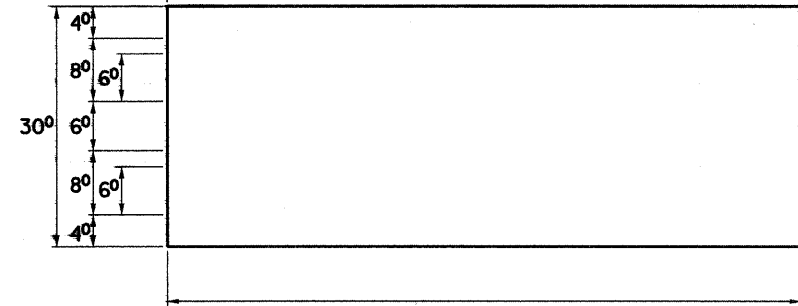
SINGLE ARM



DUAL ARM



PANEL SIGN DESIGN TYPE 2



Sq. Ft each
Required
Design Series

GENERAL NOTES

- 1. WHERE MAST ARM MOUNTED STREET NAME SIGNS ARE SPECIFIED...
2. ALL SIGNS SHALL HAVE A WHITE REFLECTORIZED LEGEND AND BORDER...
3. THE SIGN LENGTH SHOULD BE INCREASED IN 6-INCH INCREMENTS...
4. ALL BORDERS SHALL BE 3/4" WIDE AND CORNER RADIUS SHALL BE 2 1/4".
5. SIGNFIX ALUMINUM CHANNEL FRAMING SYSTEM SHALL BE USED...

LOCAL SUPPLIERS OF THE SIGNFIX ALUMINUM CHANNEL FRAMING SYSTEM ARE:

- A.K.T. CORPORATION, SCHALMURB, IL.
TUCKER COMPANY, INC., WAUWATOSA, WI.
AMERICAN FABRICATION CO., CHICAGO HEIGHTS, IL.
WESTERN TRAFFIC CONTROL, INC., CICERO, IL.

PARTS LISTING:

Table listing parts: SIGN CHANNEL, SIGN SCREWS, BRACKETS and their corresponding part numbers.

OTHER BRANDS OF MOUNTING HARDWARE ARE ACCEPTABLE, BASED UPON THE DEPARTMENT'S APPROVAL AND COMPATIBILITY WITH THE CHANNEL/BRACKET OF THE ABOVE PRODUCT.

Upper Case To Lower Case Spacing Chart 8-6 Inch Series "C & D"

EXAMPLE, 2 (C) DENOTES 3/8"

Spacing chart for Upper Case To Lower Case, Series C and D, for letters A-Z.

Lower Case To Lower Case Spacing Chart 6 Inch Series "C & D"

Spacing chart for Lower Case To Lower Case, Series C and D, for letters a-z.

Number To Number Spacing Chart 8 Inch Series "C & D"

Spacing chart for Number To Number, Series C and D, for digits 0-9.

Large spacing chart for 6 inch upper/lower case letters and 8 inch upper case letters.

Number to Number spacing chart for 6 inch and 8 inch series.