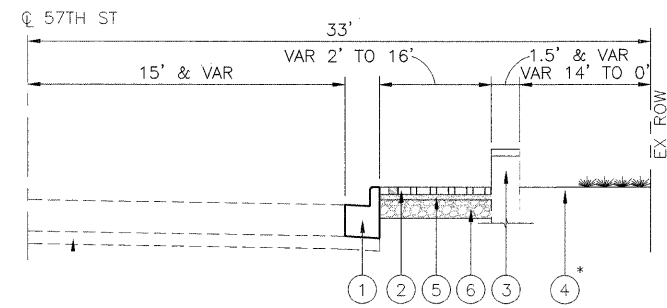
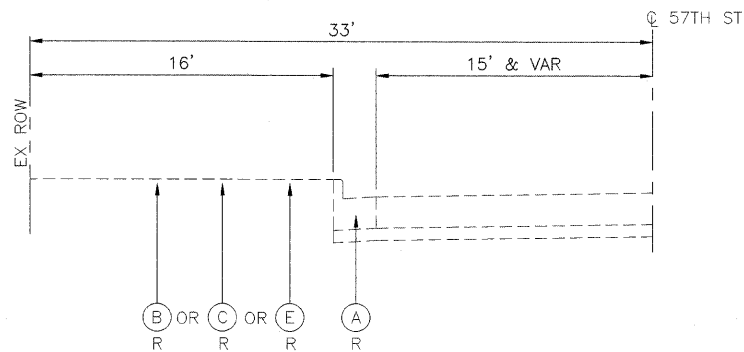


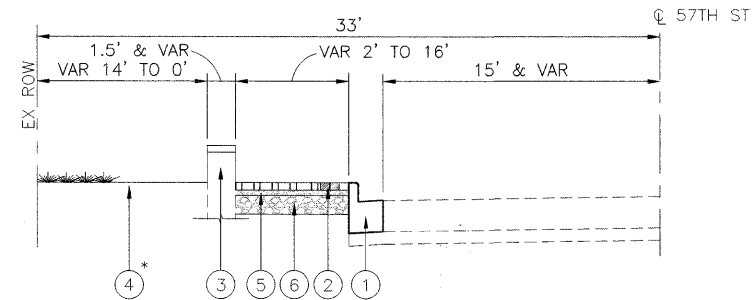
**1 EXISTING 57TH ST INTERSECTION-NORTH WEST CORNER**  
(FACING WEST ALONG 57TH ST)



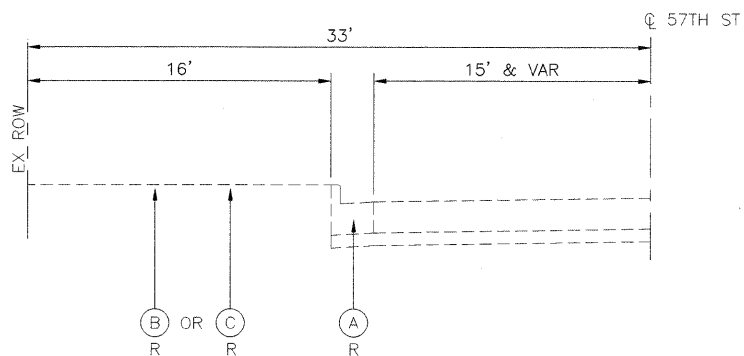
**2 PROPOSED 57TH ST INTERSECTION-NORTH WEST CORNER**  
(FACING WEST ALONG 57TH ST)



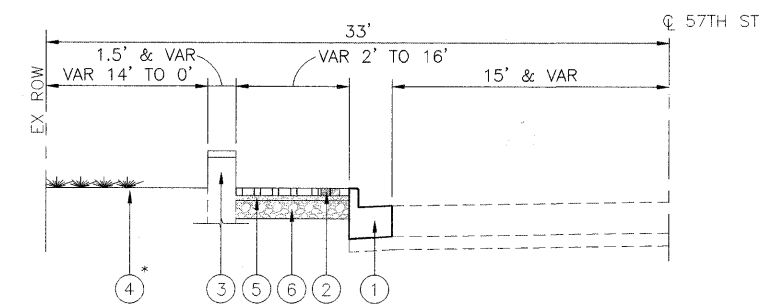
**3 EXISTING 57TH ST INTERSECTION-SOUTH WEST CORNER**  
(FACING WEST ALONG 57TH ST)



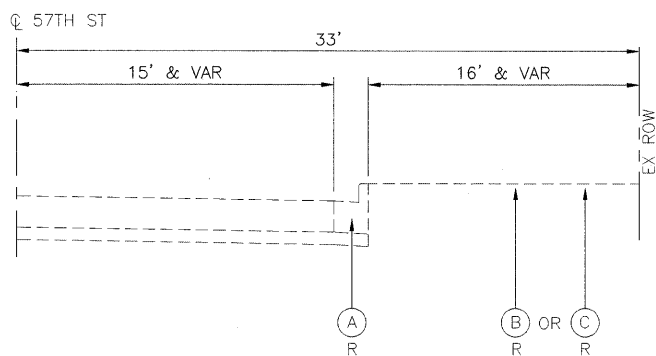
**4 PROPOSED 57TH ST INTERSECTION-SOUTH WEST CORNER**  
(FACING WEST ALONG 57TH ST)



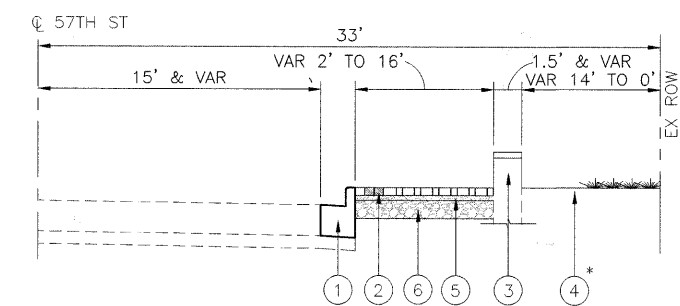
**5 EXISTING 57TH ST INTERSECTION-NORTH EAST CORNER**  
(FACING EAST ALONG 57TH ST)



**6 PROPOSED 57TH ST INTERSECTION-NORTH EAST CORNER**  
(FACING EAST ALONG 57TH ST)



**7 EXISTING 57TH ST INTERSECTION-SOUTH EAST CORNER**  
(FACING EAST ALONG 57TH ST)



**8 PROPOSED 57TH ST INTERSECTION-SOUTH EAST CORNER**  
(FACING EAST ALONG 57TH ST)

**EXISTING LEGEND**

- (A) COMBINATION CONCRETE CURB AND GUTTER
- (B) PCC SIDEWALK
- (C) GRASS PARKWAY
- (D) STONE PAVEMENT
- (E) BITUMINOUS PAVEMENT
- (F) CONCRETE HEADWALL WITH SIDEWALK SLAB
- (G) METAL RAILING
- (H) CONCRETE CULVERT
- R REMOVAL (SEE NOTE 2)

**PROPOSED LEGEND**

- (1) COMBINATION CONCRETE CURB AND GUTTER (B-6.12 OR B-6.24 & VAR) (SEE NOTE 2)
- (2) BRICK PAVERS (SEE NOTE 1)
- (3) SEAT WALL WITH PYLON (SEE NOTE 1)
- (4) LANDSCAPING (SEE NOTE 1)
- (5) BEDDING SAND (SEE NOTE 1)
- (6) AGGREGATE BASE (SEE NOTE 1)
- \* SURFACE BEHIND WALL VARIES. SEE CIVIL & LANDSCAPING PLAN SHEETS FOR DETAILS

**NOTES:**

1. SEE LANDSCAPING SHEETS FOR DETAILS
2. SEE CIVIL PLAN SHEETS FOR EXACT LIMITS OF REMOVAL ITEMS AND PROPOSED SIDEWALK, PAVEMENT, CURB & GUTTER

**TENG**

TENG & ASSOCIATES, INC.  
ENGINEERS/ARCHITECTS/PLANNERS  
205 N. MICHIGAN AVE., CHICAGO, IL 60601  
TELEPHONE: 312/616-0000

FILE NAME =	USER NAME = \$USER\$	DESIGNED --	REVISED --
\$FILEL\$		DRAWN -- ICJ	REVISED --
	PLOT SCALE = \$SCALE\$	CHECKED -- BS	REVISED --
	PLOT DATE = 8/22/08	DATE -- 4/30/09	REVISED --

**STATE OF ILLINOIS  
DEPARTMENT OF TRANSPORTATION**

**TYPICAL SECTIONS  
57TH STREET INTERSECTION**

SCALE: STA. TO STA.

F.A. RTE.	SECTION	COUNTY	TOTAL SHEETS	SHEET NO.
	07-00035-00-LS	COOK	42	4
CONTRACT NO. 63059			FED. ROAD DIST. NO. 1 ILLINOIS FED. AID PROJECT	