


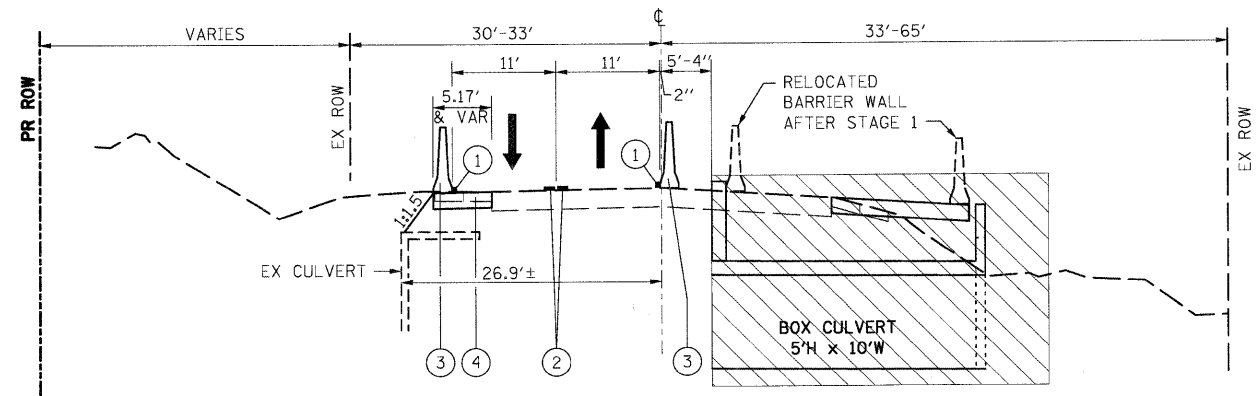
**STAGES OF CONSTRUCTION
GENERAL NOTES**

1. THE ENGINEER SHALL BE INFORMED 72 HOURS IN ADVANCE OF ANY CHANGE TO THE STAGING PLANS, OR ANY CHANGE IN STAGE.
2. THE CONTRACTOR WILL BE REQUIRED TO MAINTAIN ACCESS TO ALL ENTRANCES WITHIN THE PROJECT LIMITS. THE WORK SHALL BE PAID FOR AT THE CONTRACT UNIT PRICE PER TON FOR "AGGREGATE FOR TEMPORARY ACCESS".
3. THE CONTRACTOR SHALL PLACE MESSAGE SIGNS WITH THE APPROPRIATE INFORMATION TO INFORM MOTORISTS OF UPCOMING CONSTRUCTION ACTIVITIES. THE MESSAGE SIGNS SHALL BE IN PLACE TWO WEEKS PRIOR TO START OF CONSTRUCTION ACTIVITIES. THE WORK SHALL BE INCLUDED IN THE CONTRACT UNIT PRICE FOR "TRAFFIC CONTROL & PROTECTION".

- 1 TEMPORARY PAVEMENT MARKING 6 INCH (SEE SPECIAL PROVISIONS) OR TEMPORARY PAVEMENT MARKING LINE, 4 INCH (WHITE) ON PAVEMENT
- 2 TEMPORARY PAVEMENT MARKING LINE, 4 INCH (DOUBLE YELLOW)
- 3 TEMPORARY CONCRETE BARRIER
- 4 TEMPORARY PAVEMENT, 10" HOT-MIX ASPHALT BINDER (IL-19)
- 5 RELOCATE TEMPORARY CONCRETE BARRIER

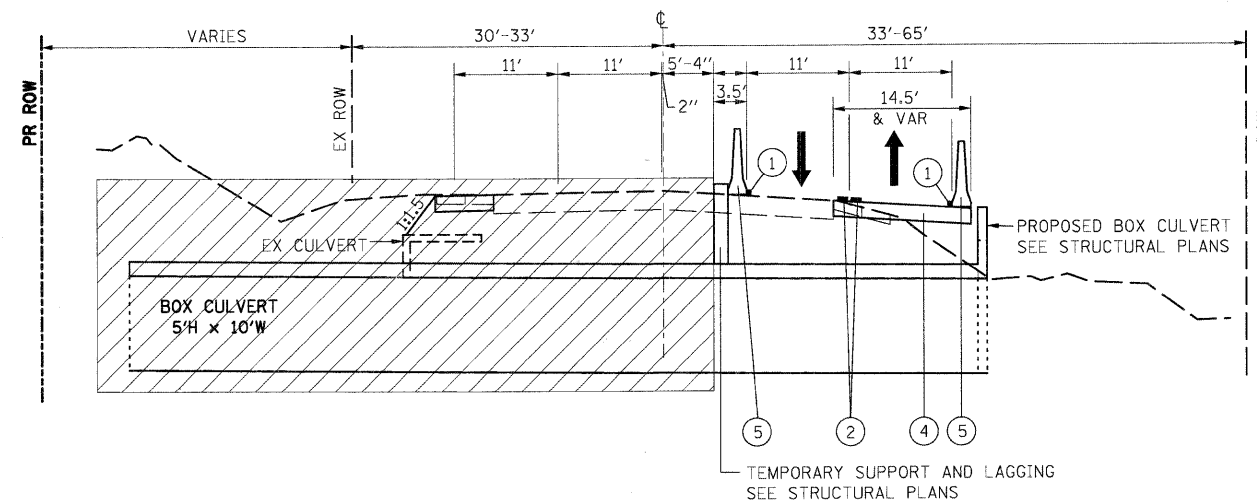
 WORK ZONE

 EXISTING PAVEMENT



ILLINOIS ROUTE 31 STAGE I

☐ PROPOSED CULVERT CROSSING
IL. RTE. 31 STA. 193+21.37



ILLINOIS ROUTE 31 STAGE II

☐ PROPOSED CULVERT CROSSING
IL. RTE. 31 STA. 193+21.37

FILE NAME = I:\Dgn\Civil\Sheet\nt03.dgn	USER NAME = JFiguera	DESIGNED -	REVISED -	KANE COUNTY DIVISION OF TRANSPORTATION	NEW STEARNS ROAD - STAGE 2 MAINTENANCE OF TRAFFIC - ROUTE 31 TYPICAL SECTIONS	F.A.P. RTE. 361	SECTION 06-00214-10-BR	COUNTY KANE	TOTAL SHEETS 219	SHEET NO. 25
	PLOT SCALE = 1:10	CHECKED -	REVISED -			SCALE:	SHEET NO. OF SHEETS STA. TO STA.	CONTRACT NO. 63073		
PLOT DATE = 3/30/2009	DATE = 3/27/09	CHECKED -	REVISED -	FED. ROAD DIST. NO. 1 (ILLINOIS) FED. AID PROJECT						