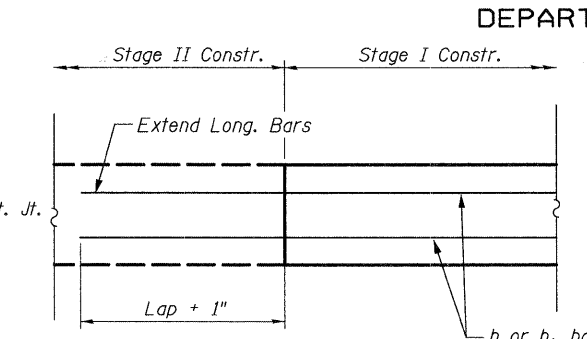
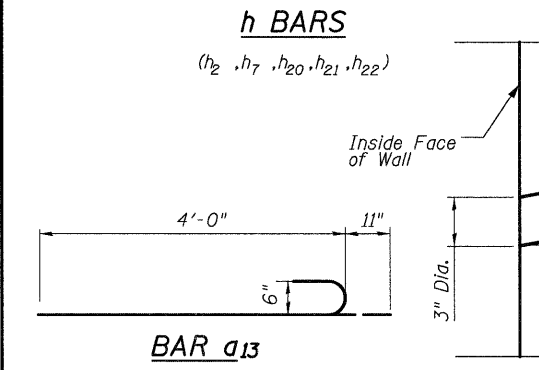
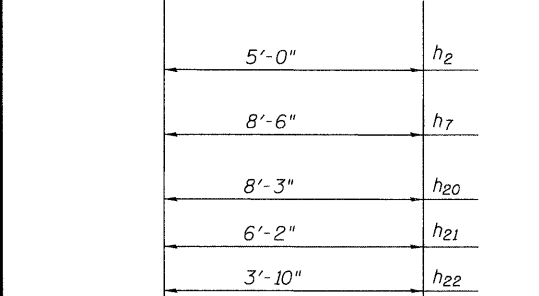
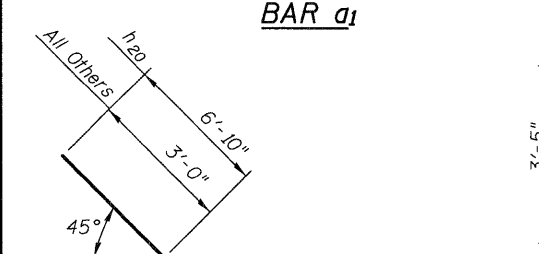
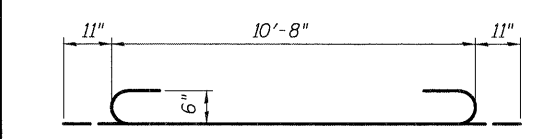
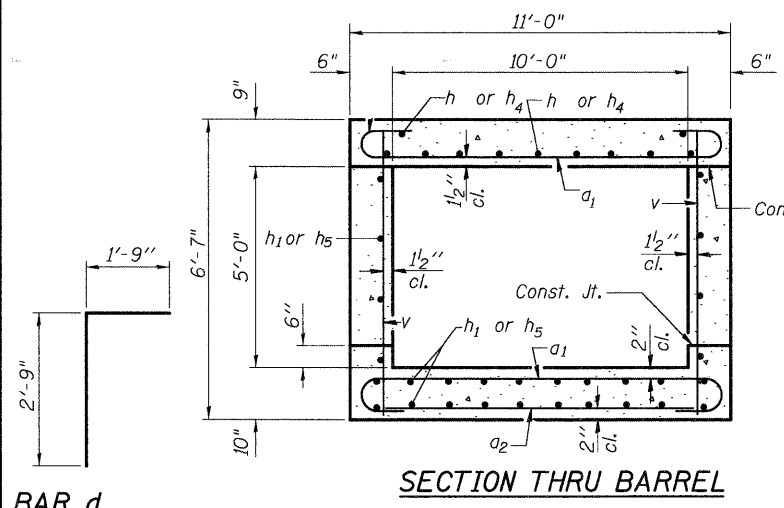


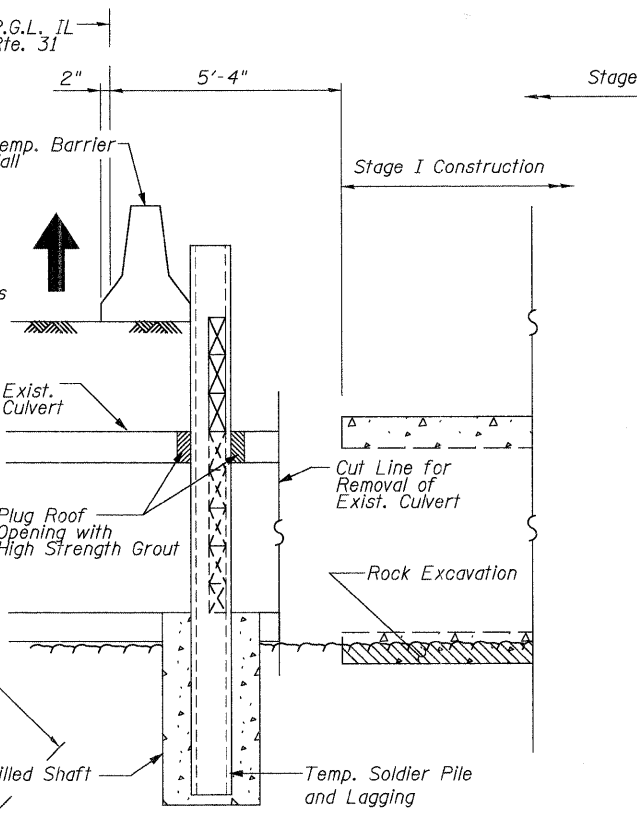
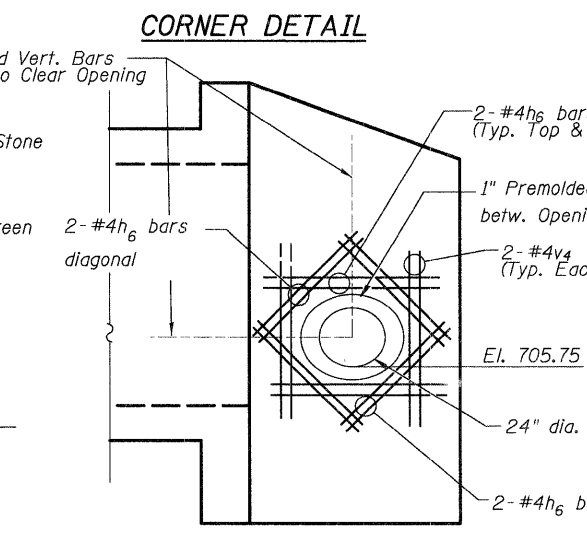
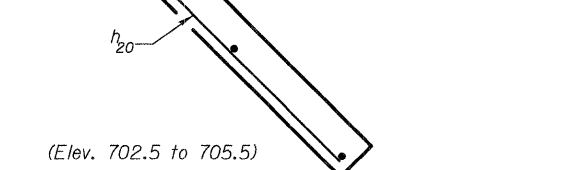
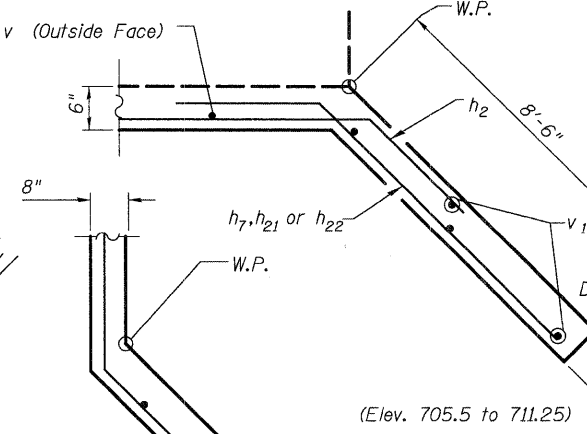
STATE OF ILLINOIS
DEPARTMENT OF TRANSPORTATION

BILL OF MATERIAL
CULVERT 1 - STAGE I&II

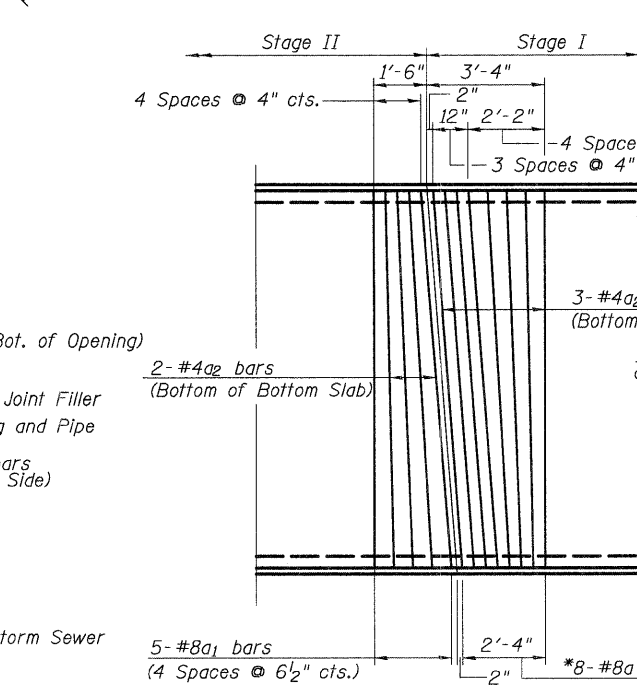
Bar	No.	Size	Length	Shape
a1	344	#8	12'-6"	U
a2	50	#4	10'-9"	—
a13	12	#5	4'-11"	—
d	10	#4	4'-6"	—
h	22	#7	17'-8"	—
h1	60	#5	16'-7"	—
h2	14	#7	8'-0"	—
h3	4	#6	10'-8"	—
h4	33	#7	22'-6"	—
h5	90	#5	21'-10"	—
h6	12	#4	4'-6"	—
h7	10	#7	11'-6"	—
h20	8	#7	15'-1"	—
h21	2	#7	9'-2"	—
h22	2	#7	6'-10"	—
h32	4	#6	10'-8"	—
h33	2	#7	1'-2"	—
h34	2	#7	2'-11"	—
h35	2	#7	6'-6"	—
v	244	#4	6'-3"	—
v1	8	#4	9'-2"	—
v2	2	#4	5'-11"	—
v4	4	#4	4'-0"	—
v6	14	#5	9'-1"	—



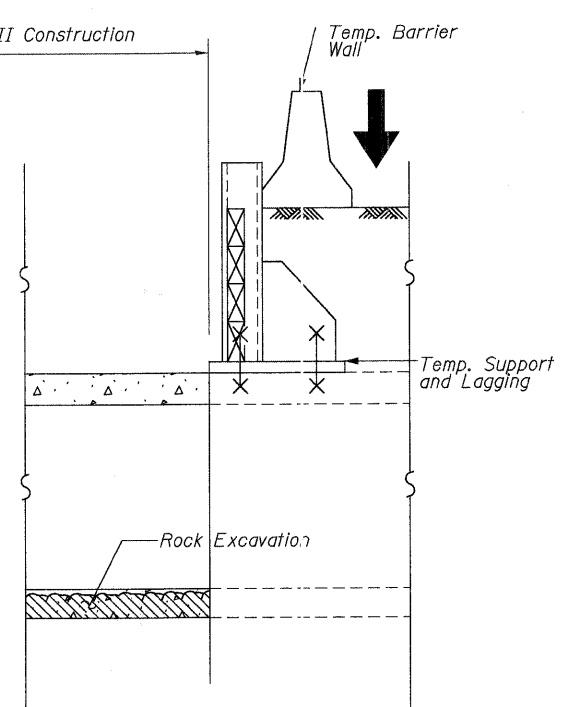
SECTION B-B
Lap Length #5 Bar = 1'-8"
Lap Length #7 Bar = 2'-9"
Note: Contractor may use bar splicers.



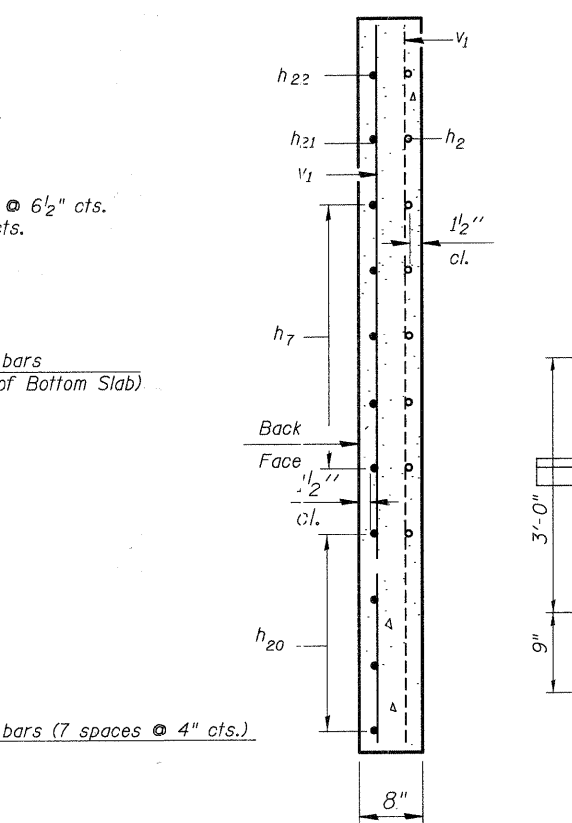
STAGE I CONSTRUCTION



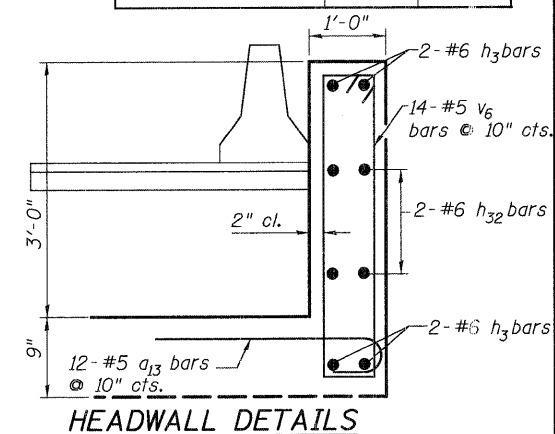
BAR DETAILS AT CONSTRUCTION JOINT
*Bottom of Top Slab and Top of Bottom Slab



STAGE II CONSTRUCTION



SECTION A-A



HEADWALL DETAILS
CULVERT NO. 1
SECTIONS & DETAILS
STRUCTURE NO. 045-0332

DESIGNED	200
CHECKED	EXAMINED
DRAWN	PASSED
CHECKED	ENGINEER OF BRIDGES AND STRUCTURES

McDonough Associates Inc.
Engineers / Architects
130 East Randolph Street
Chicago, Illinois 60601
(312) 946-8600

SHEET NO. BC03 BC09 SHEETS	RTE.	SECTION	COUNTY	TOTAL SHEETS	SHEET NO.
	361	06-00214-02-BR	KANE	219	121
SN 045-0331			CONTRACT NO. 63073		
FED. ROAD DIST. NO. 1 ILLINOIS FED. AID PROJECT					