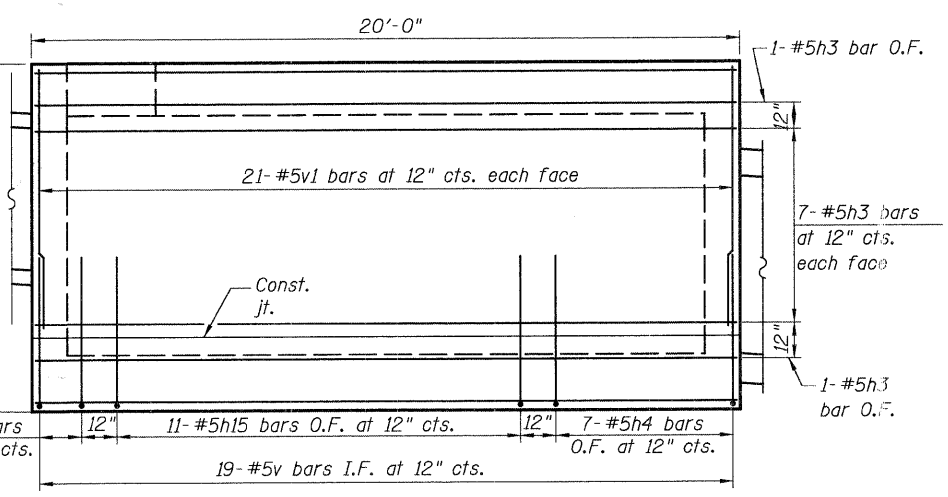
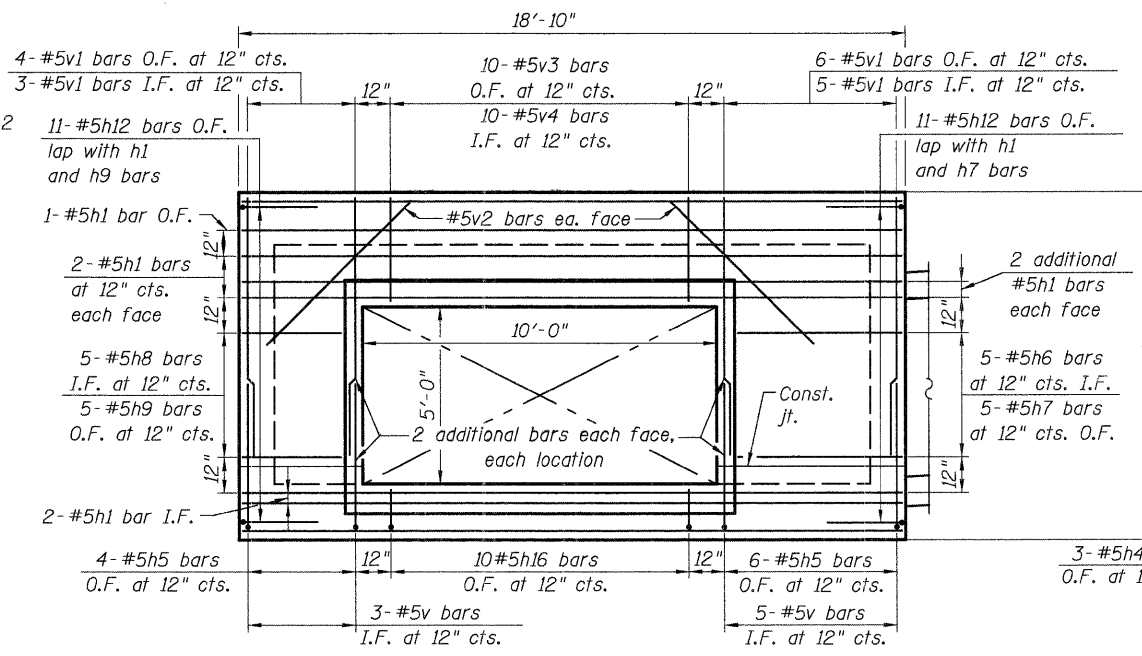
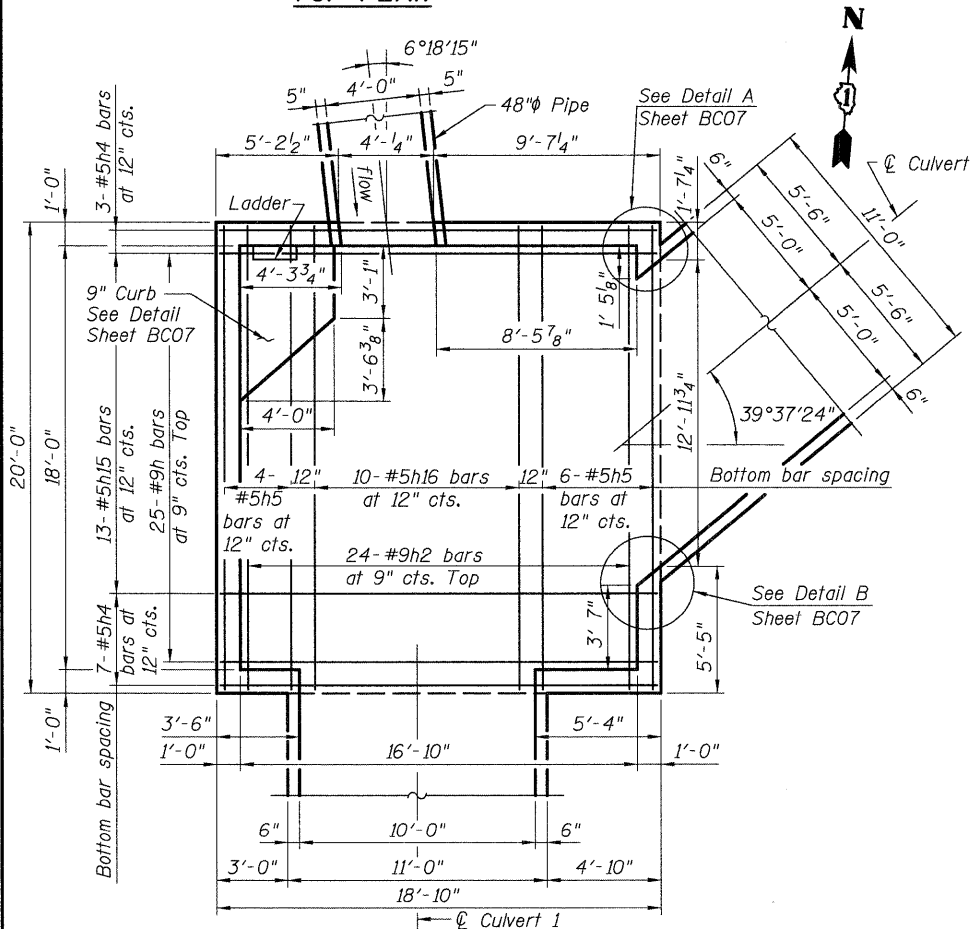
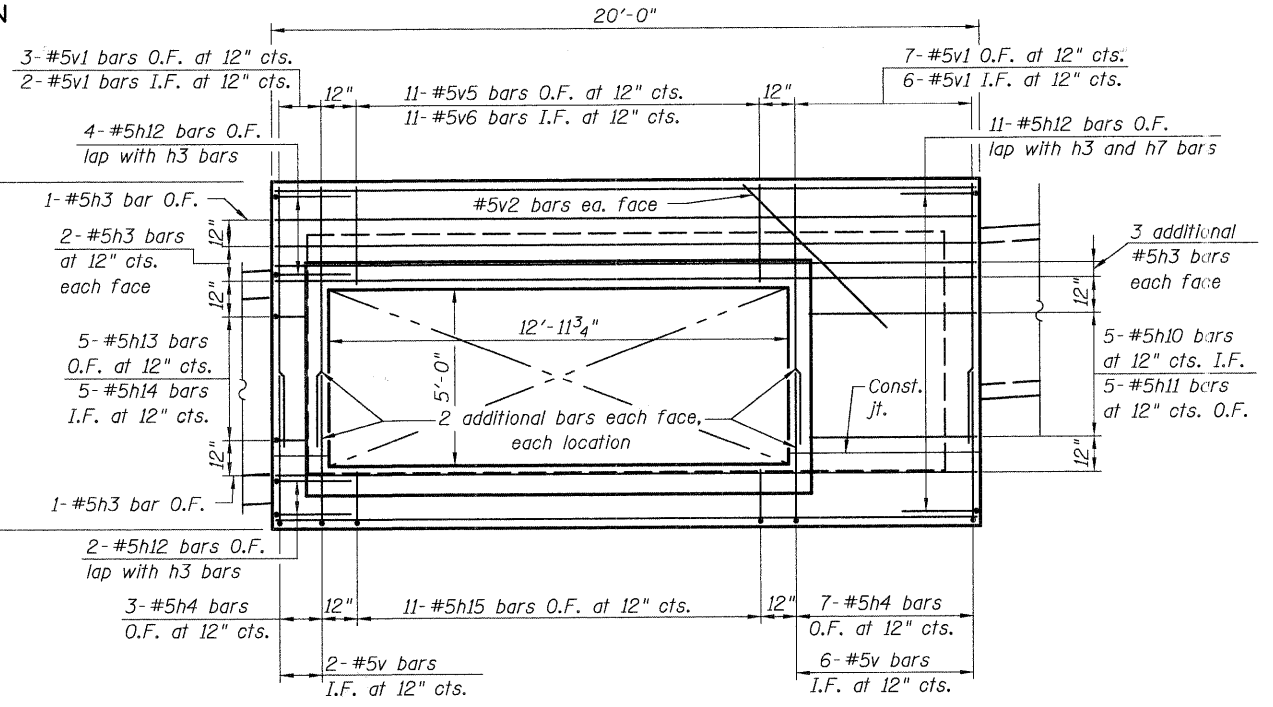
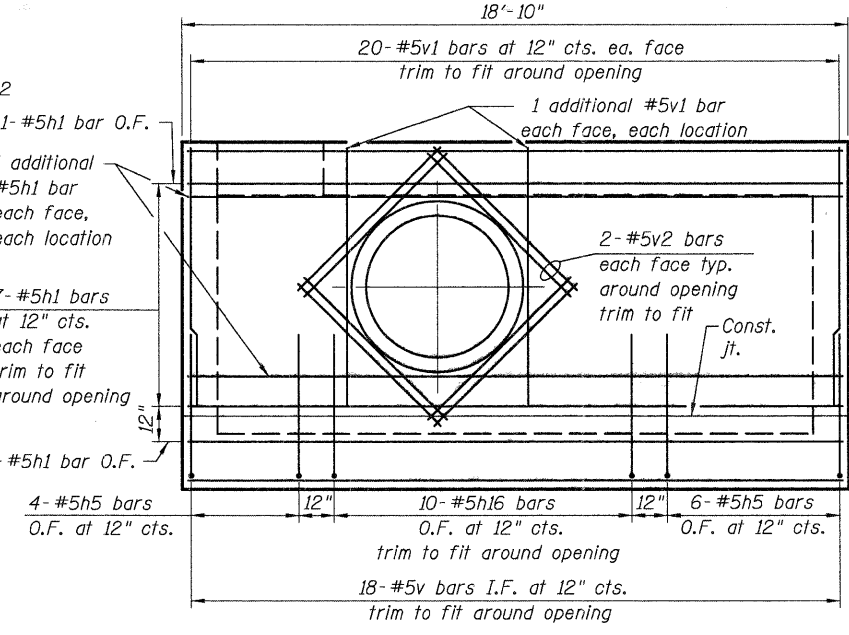
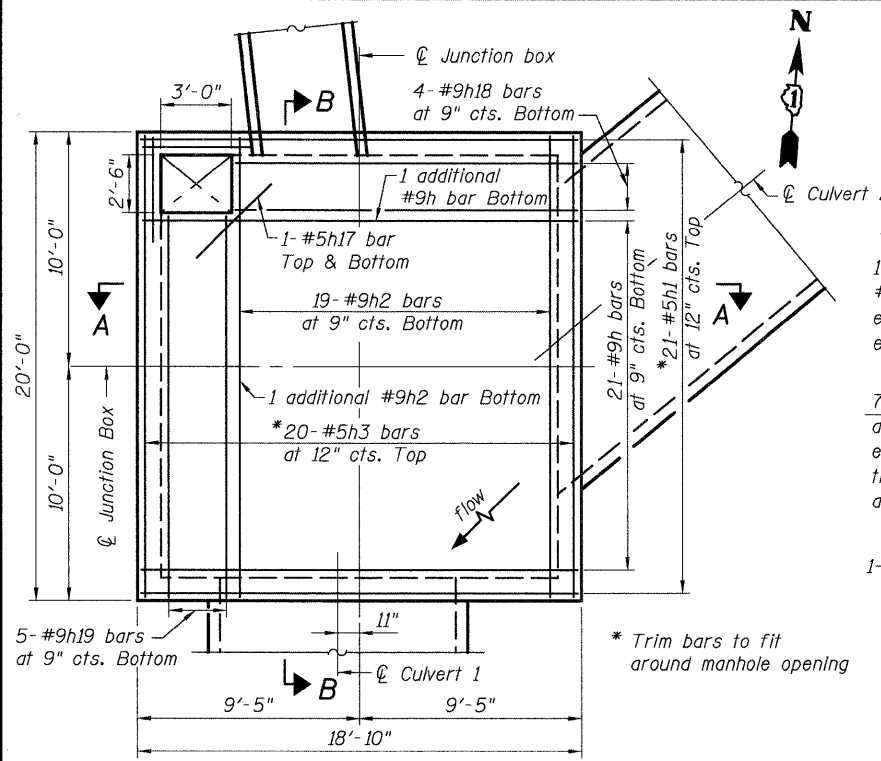


STATE OF ILLINOIS
DEPARTMENT OF TRANSPORTATION



**JUNCTION CHAMBER NO. 1
PLANS AND ELEVATIONS
MCLEAN BOULEVARD
SECTION 06-00214-02 BR
KANE COUNTY
STA 812+24.37 TO STA 819.00
STRUCTURE NO. 045-2039**

DESIGNED	200
CHECKED	EXAMINED
DRAWN	PASSED
CHECKED	ENGINEER OF BRIDGES AND STRUCTURES

McDonough Associates Inc.
Engineers / Architects
130 East Randolph Street
Chicago, Illinois 60601
(312) 946-8600

SHEET NO. BC06	RTE.	SECTION	COUNTY	TOTAL SHEETS	SHEET NO.
	361	06-00214-02-BR	KANE	219	124
BC09 SHEETS	SN 045-2039		CONTRACT NO. 63073		
	FED. ROAD DIST. NO. 1 ILLINOIS FED. AID PROJECT				