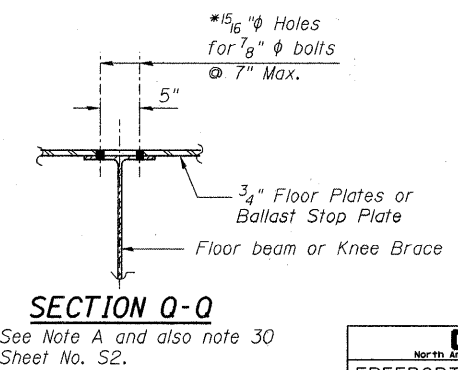
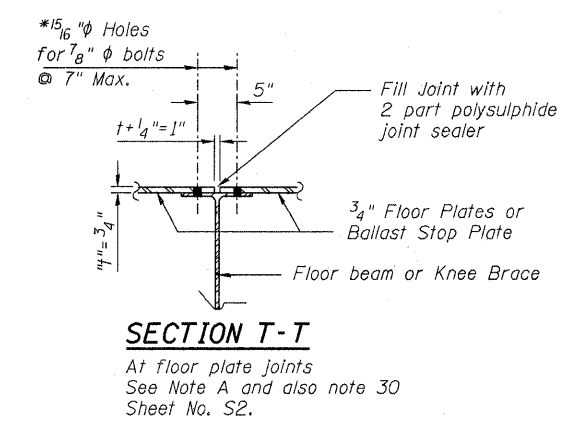
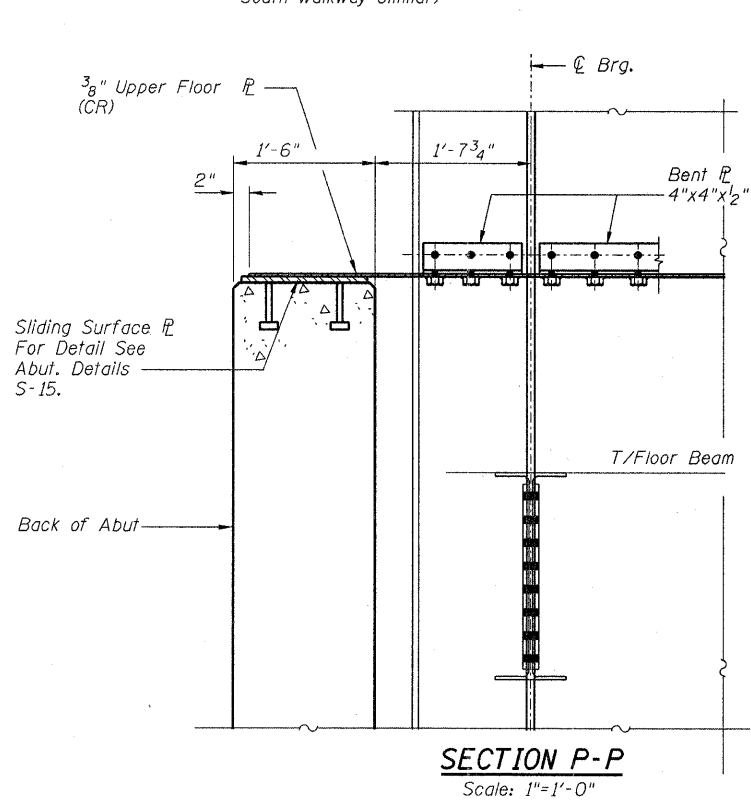
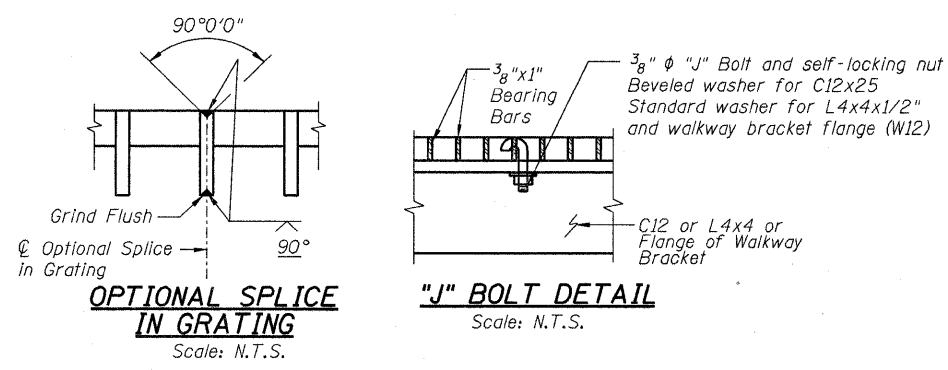
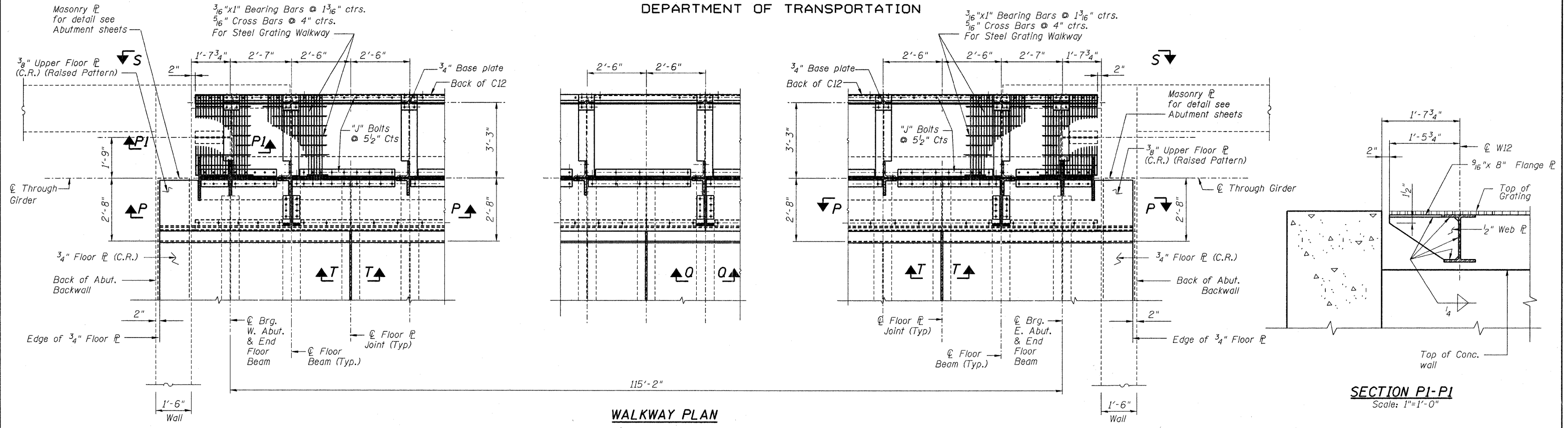


STATE OF ILLINOIS
DEPARTMENT OF TRANSPORTATION



NOTES:

Grating plates, bars and angles shall conform to ASTM A36, Galvanized in accordance with ASTM A123, or be fabricated from aluminum conforming to ASTM B361-Alloy 6061-T6. Aluminum surfaces in contact with concrete shall receive a heavy coat of bituminous paint or cold applied asphaltic mastic. Fastener shall consist of stainless steel, type 304, or be Zinc plated conforming to ASTM B633 for exterior use. Provide stainless steel fasteners for aluminum grating.

Grating shall be bolted to longitudinal channel and along Girder and walkway bracket by means of "J" bolts or other type of bolts Approved by the Engineer. Each panel shall have one bolt in each corner with a maximum longitudinal spacing of 1'-0" ctrs. between bolts. Drill 7/16" diameter holes for "J" bolts in field.

Joints in 3/4" floor plate and ballast stop plate and 3/8" upper floor plate to be at 10 ft. max. centers.

For View S-S See Sheet no. S11.

Note A:
Floor plate details at floor beams shown,
Floor plate details at knee brace similar.

* Nuts need to be secured after tightening to prevent them from loosening or coming off per Standard Specification.

DESIGNED	KJH
CHECKED	MGB
DRAWN	RJ
CHECKED	BKB

McDonough Associates Inc.
Engineers / Architects
130 East Randolph Street
Chicago, Illinois 60601
(312) 946-8600

CN North America's Railroad	
FREEPORT SUBDIVISION	
BRIDGE NO. W40.07	
SHEET NO. S10	RTE.
S21 SHEETS	361

STEEL DETAILS - 3				
STRUCTURE NO. 045-3163				
SHEET NO.	SECTION	COUNTY	TOTAL SHEETS	SHEET NO.
S21	06-00214-02-BR	KANE	219	137
SN 045-3163		CONTRACT NO. 63073		
FED. ROAD DIST. NO. 1 ILLINOIS FED. AID PROJECT				