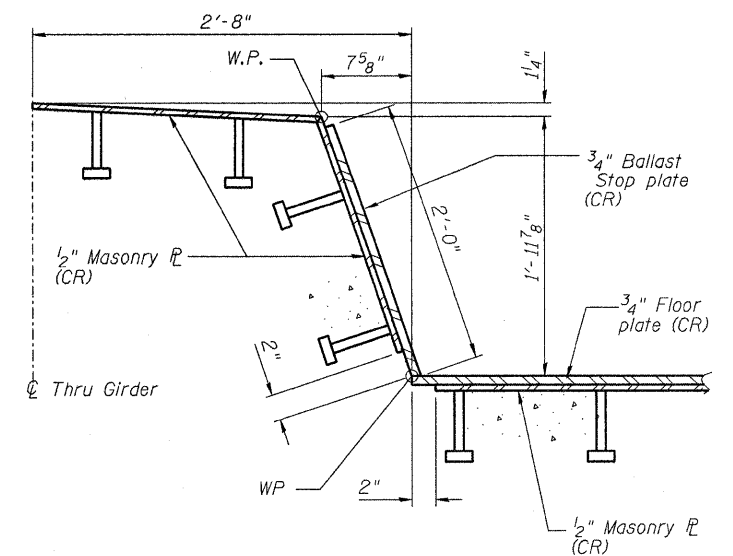
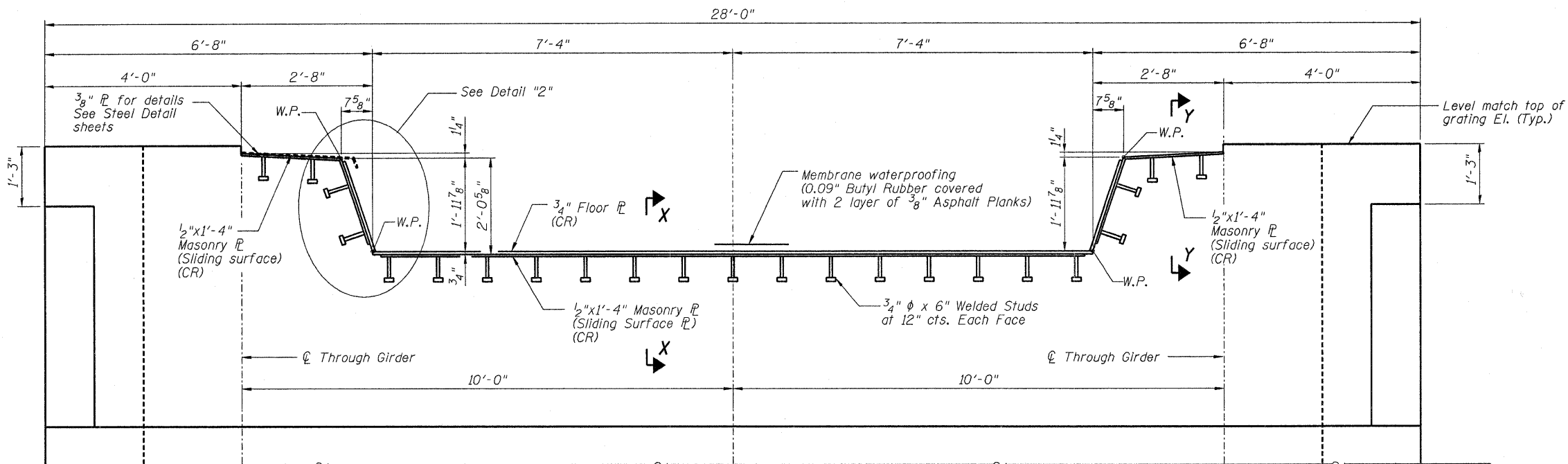
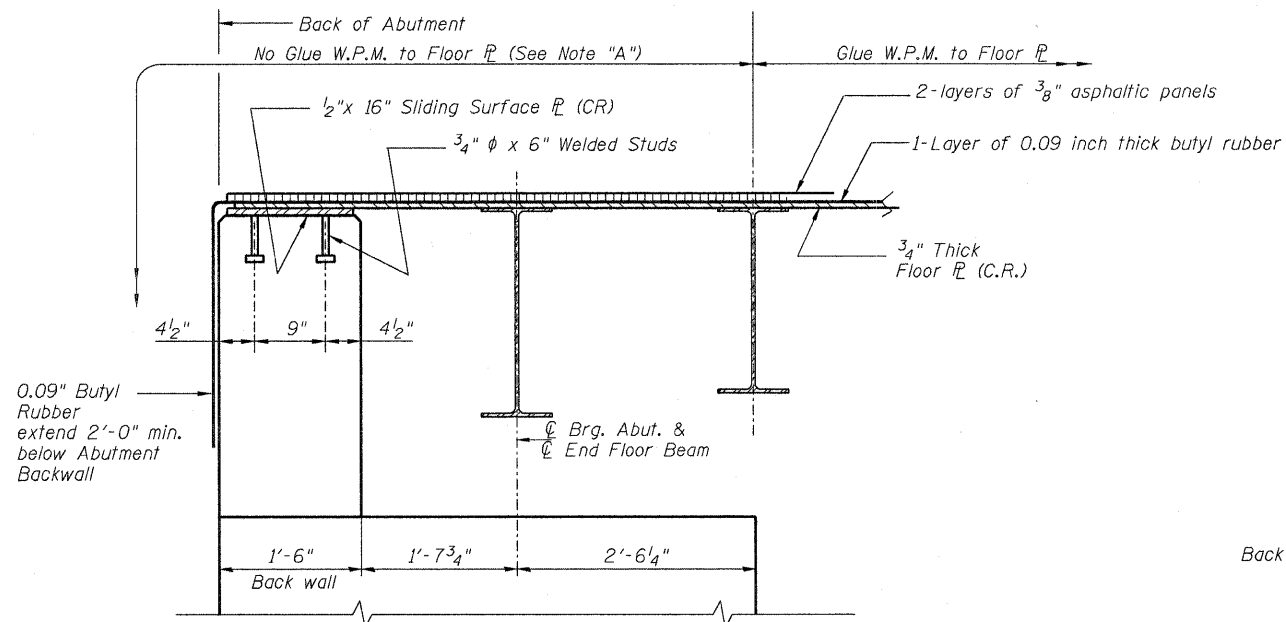


STATE OF ILLINOIS
DEPARTMENT OF TRANSPORTATION

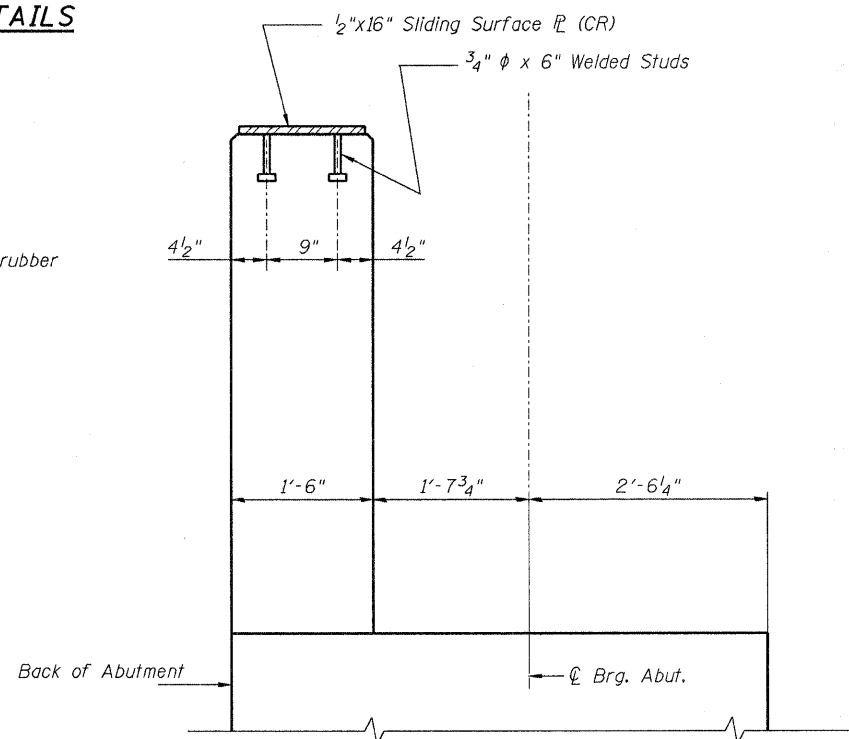


DETAIL "2"

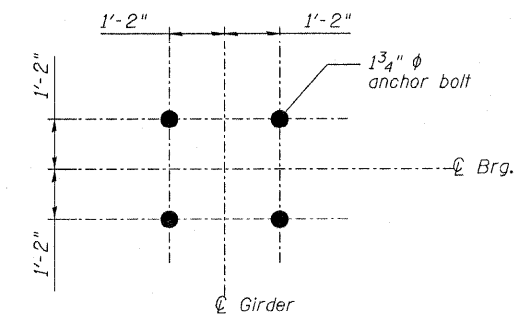
DETAIL "1" - MASONRY PLATE DETAILS



SECTION X-X



SECTION Y-Y



ANCHOR BOLT LAYOUT

Note "A"
No Glue. The Water Proofing Membrane (W.P.M.) (0.09" Butyl Rubber)
in this area shall not adhere to the Floor Plate or the Abutment Backwall.

DESIGNED	KJH
CHECKED	MGB
DRAWN	RJ
CHECKED	BKB

McDonough Associates Inc.
Engineers / Architects
130 East Randolph Street
Chicago, Illinois 60601
(312) 946-8600

CN North America Railroad	
FREEPORT SUBDIVISION	
BRIDGE NO. W40.07	
SHEET NO. S15	RTE.
S21 SHEETS	361

E. & W. ABUTMENT DETAILS
STRUCTURE NO. 045-3163

SECTION	COUNTY	TOTAL SHEETS	SHEET NO.
06-00214-02-BR	KANE	219	142
SN 045-3163		CONTRACT NO. 63073	
FED. ROAD DIST. NO. 1 ILLINOIS FED. AID PROJECT			