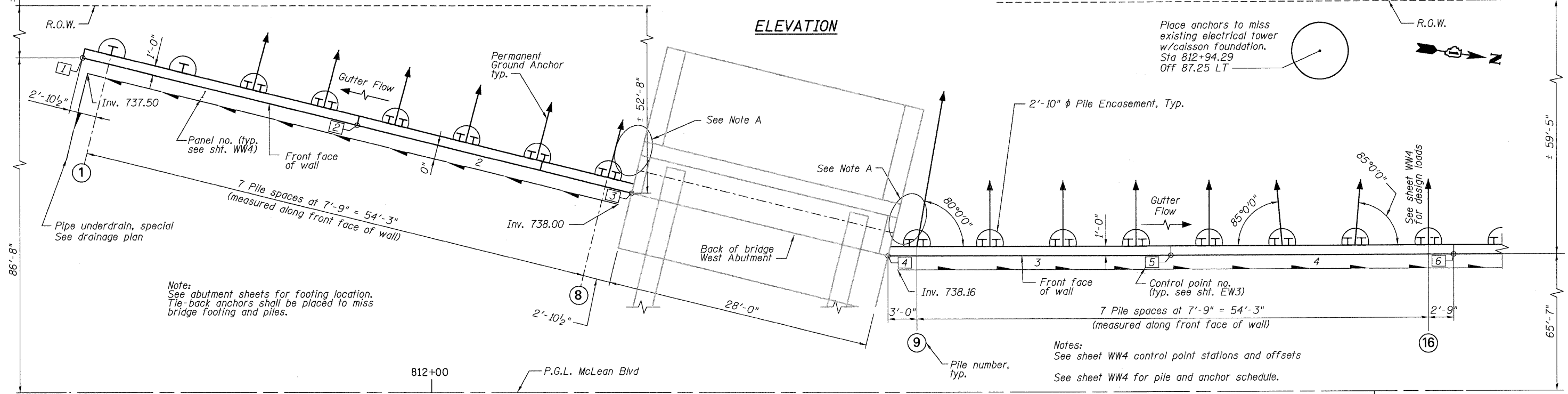
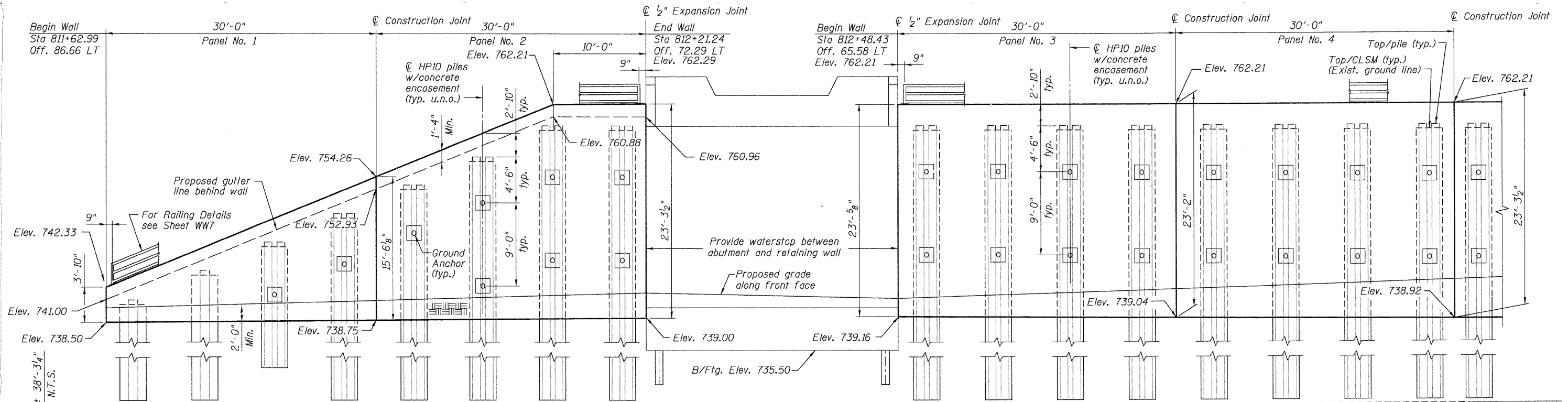


STATE OF ILLINOIS  
DEPARTMENT OF TRANSPORTATION



Note A:  
The Contractor shall be aware that the ground adjacent to the abutment may be somewhat disturbed resulting from the excavation. The actual soil condition shall be considered in the ground anchor design and anchor length and inclination shall be adjusted to obtain the required anchor loads.

DESIGNED	JCE/KJH
CHECKED	PMH
DRAWN	JCE/PMH
CHECKED	KJH

**McDonough Associates Inc.**  
Engineers / Architects  
130 East Randolph Street  
Chicago, Illinois 60601  
(312) 946-8600

**PILE AND ANCHOR LOCATIONS  
STRUCTURE NO. 045-2038**

SHEET NO. WW2	RTE.	SECTION	COUNTY	TOTAL SHEETS	SHEET NO.
	361	06-00214-02-BR	KANE	219	150
WW9 SHEETS	CONTRACT NO. 63073				
FED. ROAD DIST. NO. 1 ILLINOIS FED. AID PROJECT					