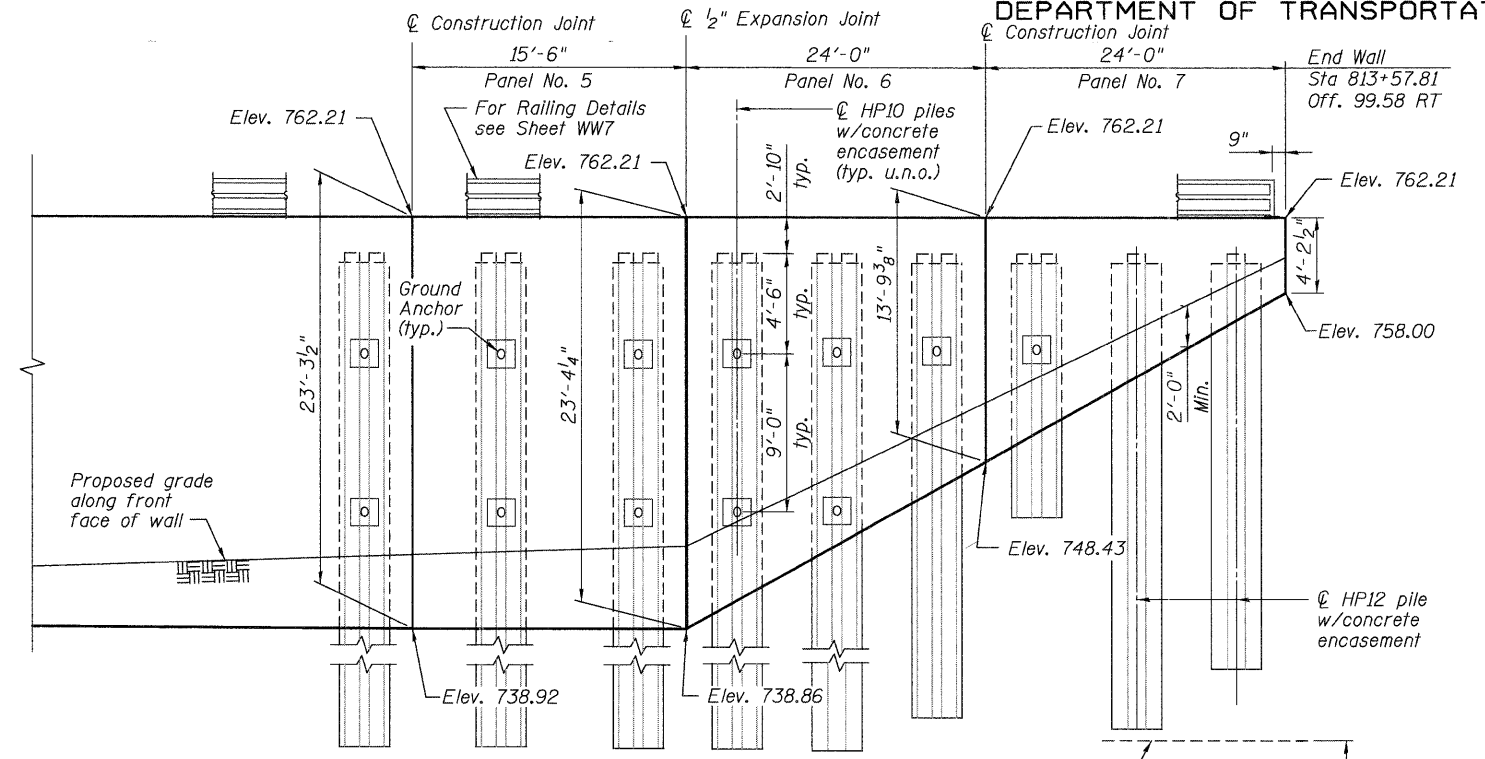
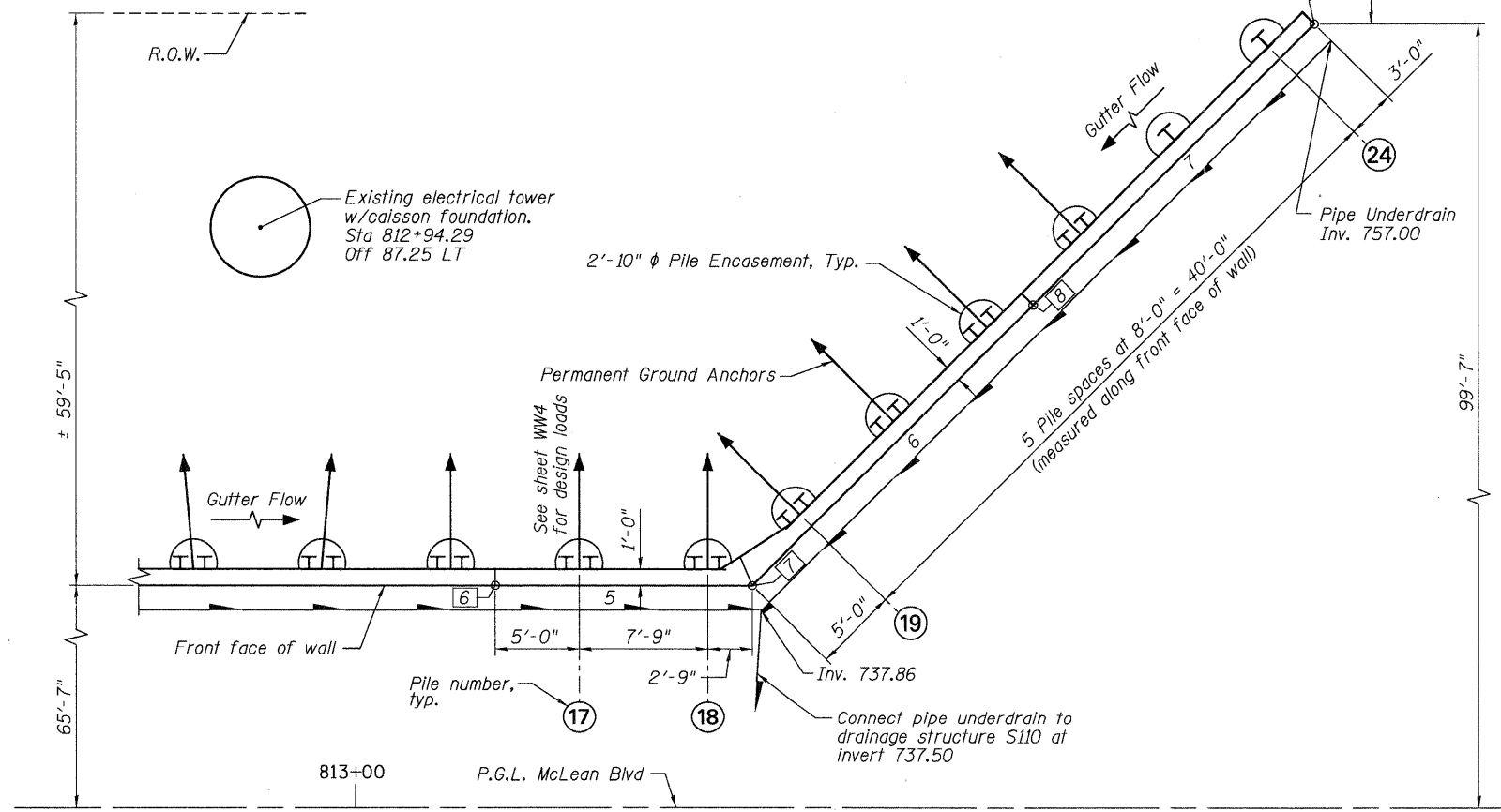


STATE OF ILLINOIS
DEPARTMENT OF TRANSPORTATION



ELEVATION



PLAN

Notes:
See sheet WW4 control point stations and offsets
See sheet WW4 for pile and anchor schedule.

DESIGNED	JCE/KJH
CHECKED	PMH
DRAWN	JCE/PMH
CHECKED	KJH

McDonough Associates Inc.
Engineers / Architects
130 East Randolph Street
Chicago, Illinois 60601
(312) 946-8600

PILE AND ANCHOR LOCATIONS
STRUCTURE NO. 045-2038

SHEET NO. WW3	RTE.	SECTION	COUNTY	TOTAL SHEETS	SHEET NO.
	361	06-00214-02-BR	KANE	219	151
WW9 SHEETS	CONTRACT NO. 63073				
FED. ROAD DIST. NO. 1 ILLINOIS FED. AID PROJECT					