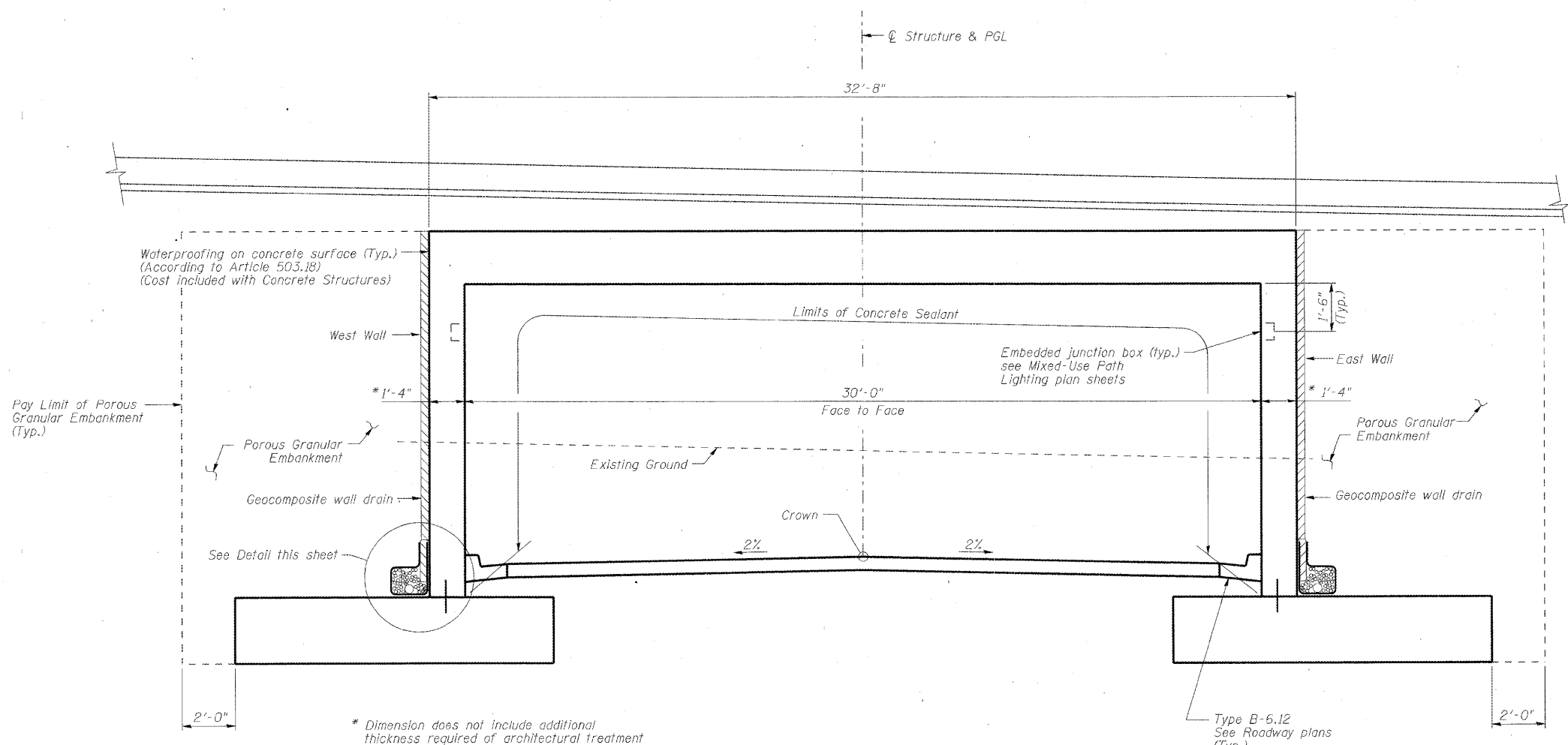


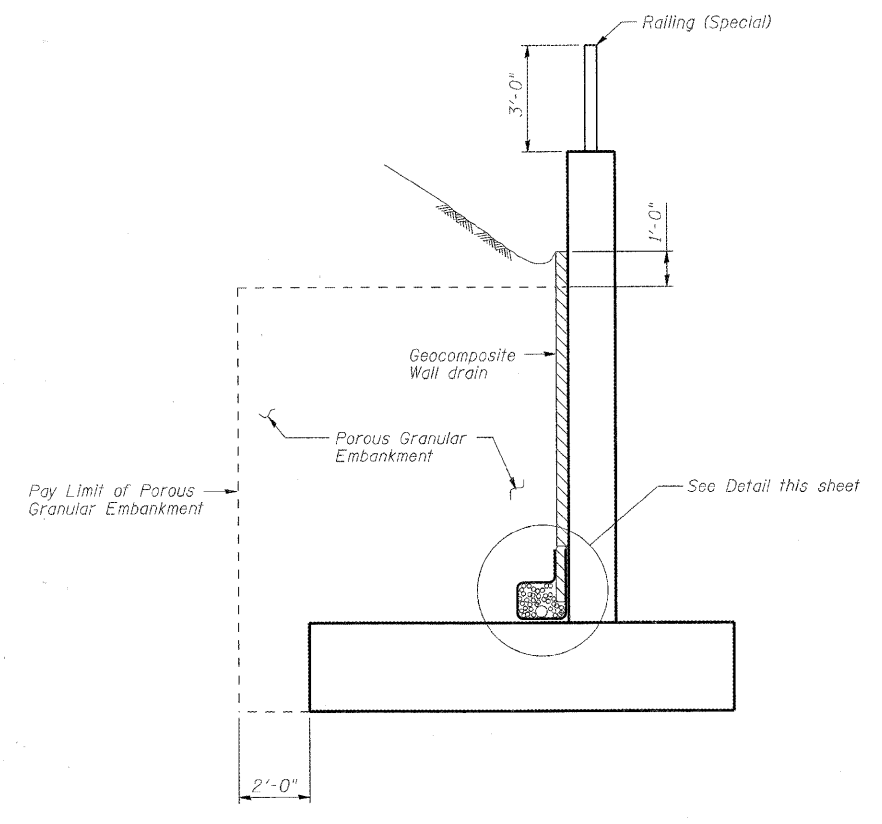
STATE OF ILLINOIS
DEPARTMENT OF TRANSPORTATION

ROUTE NO.	SECTION	COUNTY	TOTAL SHEETS	SHEET NO.	SHEET SA- 10 OF 14 SHEETS
-	-	KANE	545	297	
FED. ROAD DIST. NO. 7		ILLINOIS	FED. AID PROJECT-		

Contract #63074



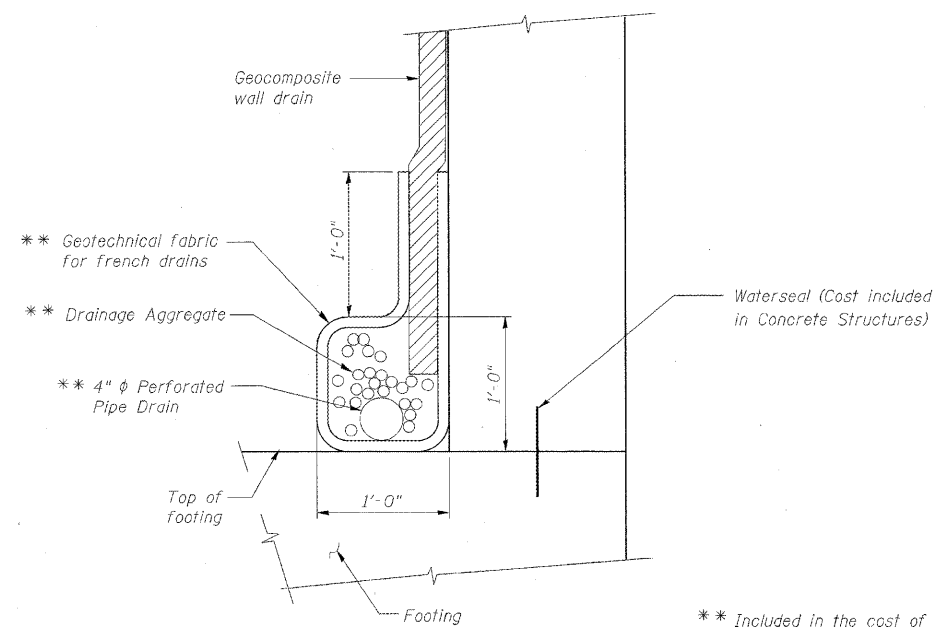
TYPICAL SECTION
(Looking North)



TYPICAL WINGWALL SECTION

BILL OF MATERIAL

Item	Unit	Stage 1	Stage 2
Geocomposite Wall Drain	Sq. Yd.	215	270
Porous Granular Embankment	Cu. Yd.	546	686
Pipe Underdrains For Structures 4"	Foot	174	196



PIPE UNDERDRAIN DETAIL

DESIGNED	AAY
CHECKED	AJK
DRAWN	VH
CHECKED	HMA/DMC

△ Addendum #1 - 6/5/09

benesch
alfred benesch & company
Engineers • Surveyors • Planners
205 North Michigan Avenue, Suite 2400
Chicago, Illinois 60601
312-565-0450
Job # 3944

**DRAINAGE DETAILS
MULTI-USE PATH UNDER
IL 25/STEARNS ROAD
F.A.P. 360 - SEC. 06-00214-15-BR
KANE COUNTY
STATION 916+09.93
STRUCTURE NO. 045-3173**

x:\3900s\3944\engineering\documents\Dunham_Path_under_Stearns_SN045-3173\Final\0453173-63074-010-drain.dgn 1:45:03 PM 6/3/2009