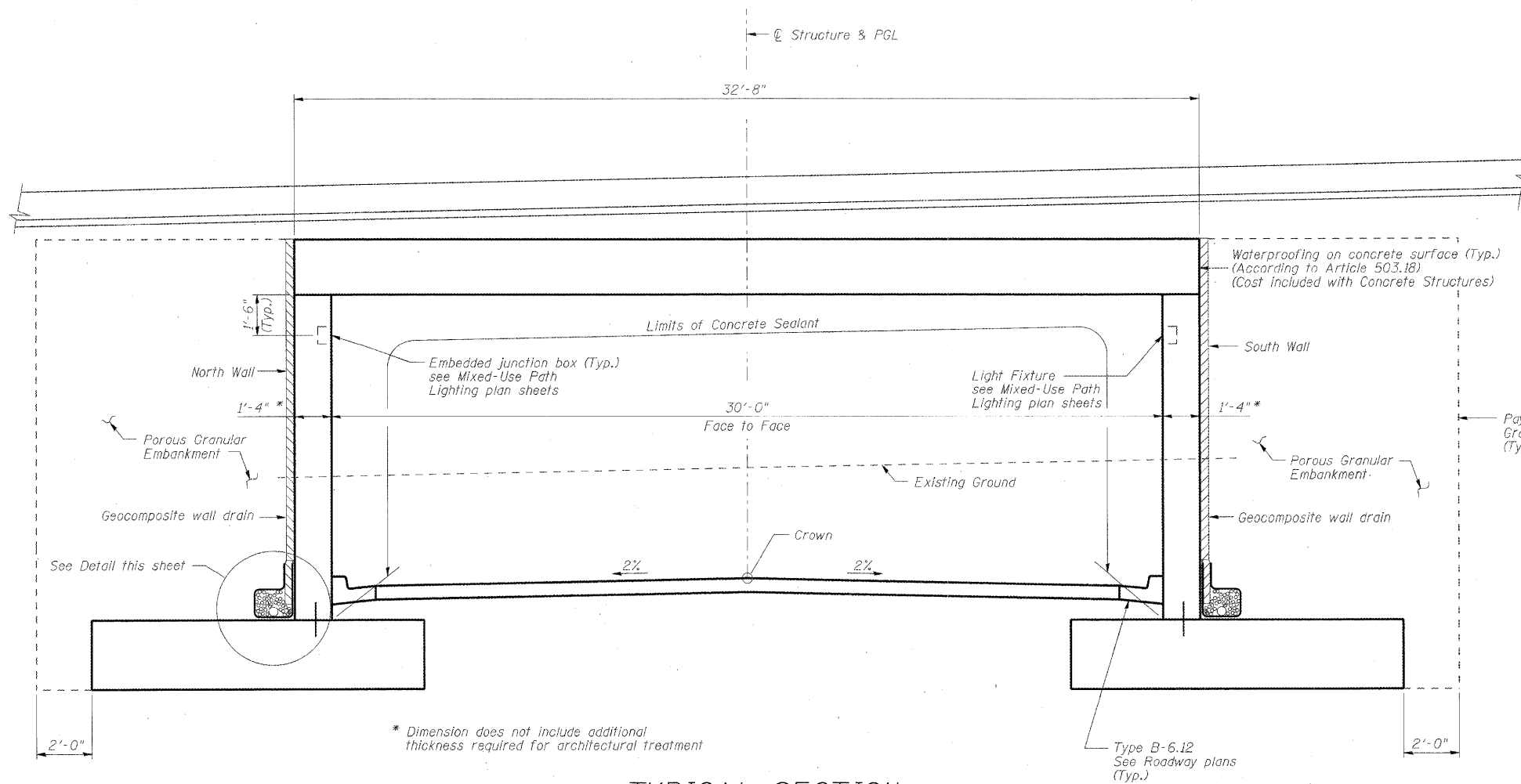


STATE OF ILLINOIS  
DEPARTMENT OF TRANSPORTATION

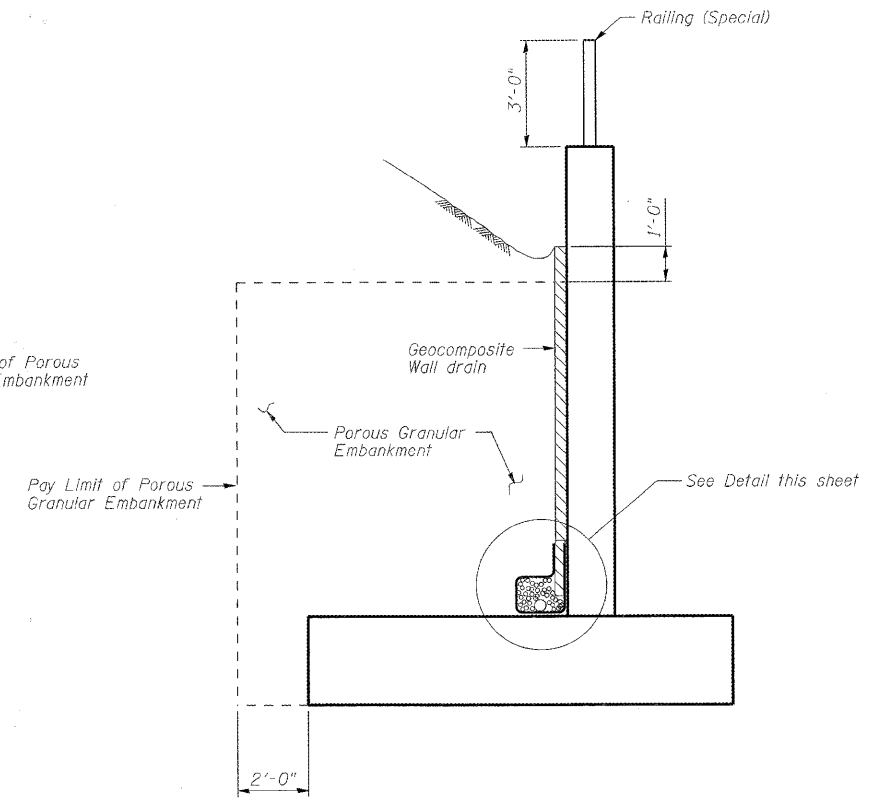
ROUTE NO.	SECTION	COUNTY	TOTAL SHEETS	SHEET NO.	SHEET SB- 10 OF 14 SHEETS
-	-	KANE	545	311	
FED. ROAD DIST. NO. 7		ILLINOIS	FED. AID PROJECT		

Contract # 63074

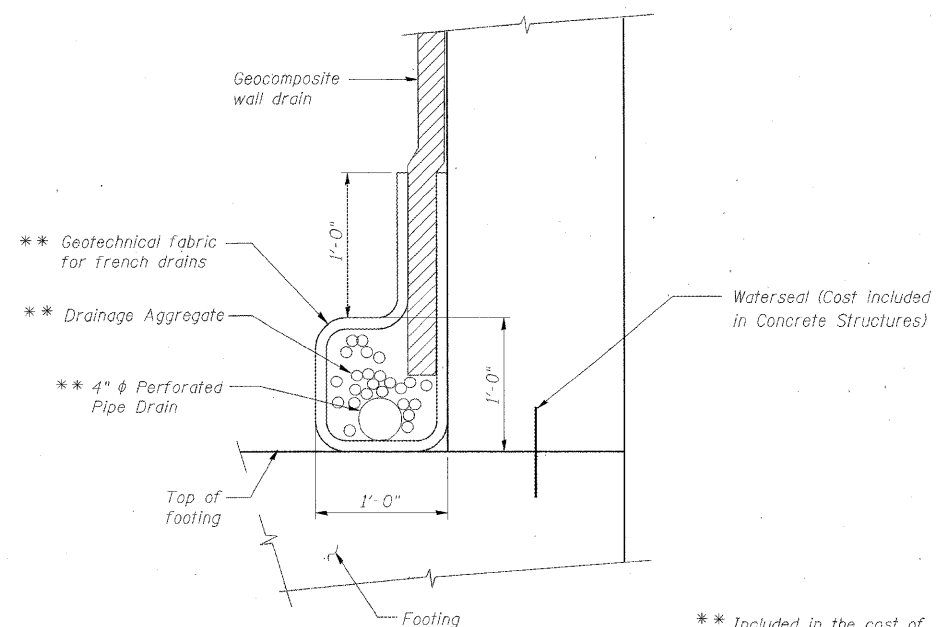


\* Dimension does not include additional thickness required for architectural treatment

TYPICAL SECTION



TYPICAL WINGWALL SECTION



\*\* Included in the cost of "Pipe Underdrains for Structures"

PIPE UNDERDRAIN DETAIL

BILL OF MATERIAL

Item	Unit	Total
Geocomposite Wall Drain	Sq. Yd.	703
Porous Granular Embankment	Cu. Yd.	1,813
Pipe Underdrains for Structures 4"	Foot	515

DESIGNED	AAY
CHECKED	AJK
DRAWN	VH
CHECKED	HMA/DMC

▲ Addendum #1 - 6/5/09

**benesch**  
alfred benesch & company  
Engineers • Surveyors • Planners  
205 North Michigan Avenue, Suite 2400  
Chicago, Illinois 60601  
312-585-0450  
Job # 3944

DRAINAGE DETAILS  
MIXED-USE PATH UNDER  
IL 25/DUNHAM ROAD  
F.A.P. 360 - SEC. 06-00214-15-BR  
KANE COUNTY  
STATION 609+05.92  
STRUCTURE NO. 045-3174