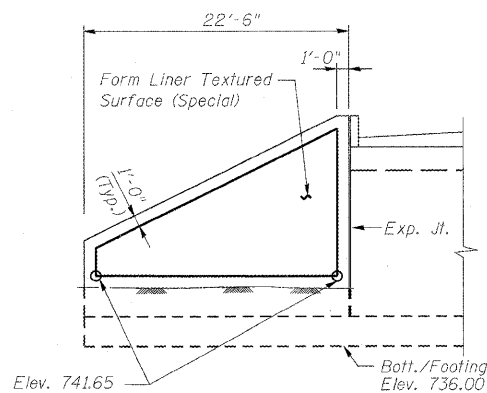


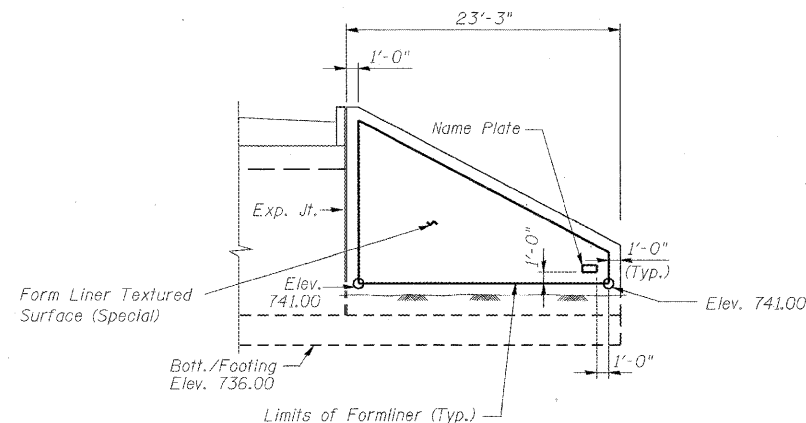
STATE OF ILLINOIS  
DEPARTMENT OF TRANSPORTATION

ROUTE NO.	SECTION	COUNTY	TOTAL SHEETS	SHEET NO.	SHEET SB- 12 OF 14 SHEETS
-	-	KANE	545	313	
FED. ROAD DIST. NO. 7		ILLINOIS	FED. AID PROJECT-		

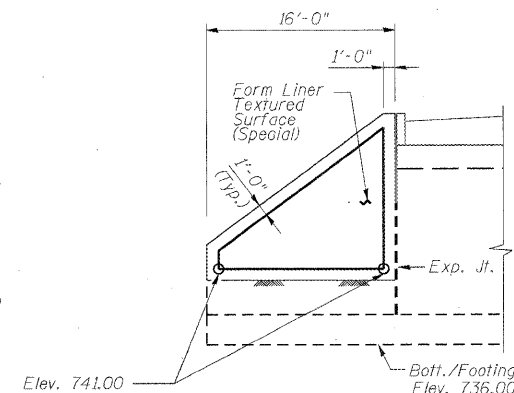
Contract # 63074



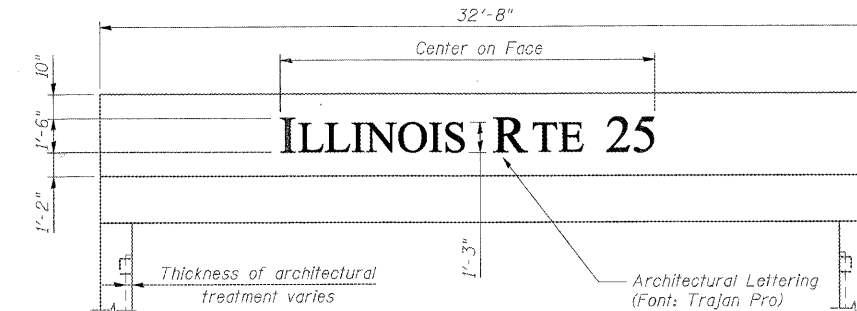
SOUTH WEST WINGWALL ELEVATION



SOUTH EAST WINGWALL ELEVATION

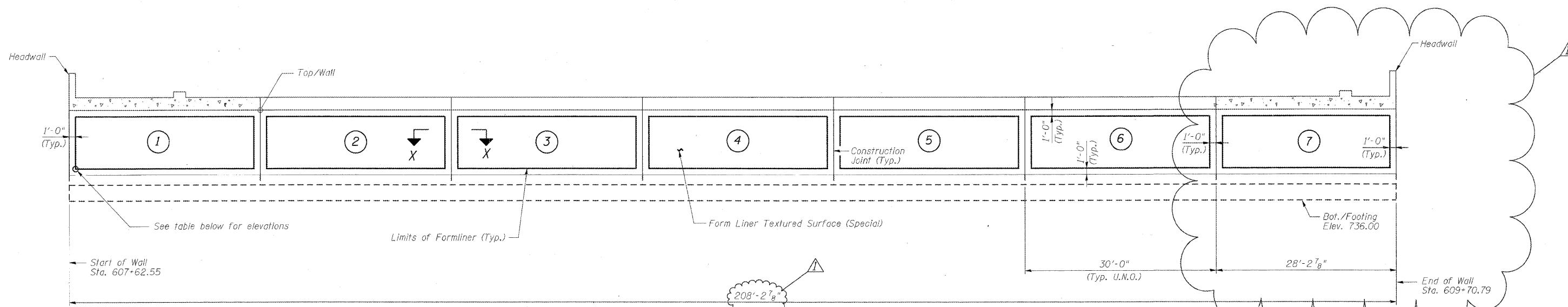


NORTH EAST WINGWALL ELEVATION



HEADWALL ELEVATION

(Typical Each End)



ELEVATION

BILL OF MATERIAL

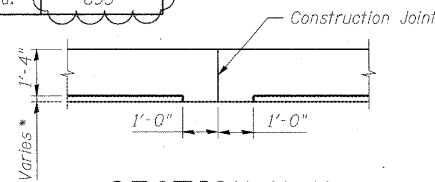
Item	Unit	Total
Form Liner Textured Surface (Special)	Sq. Ft.	4,665
Architectural Lettering	L. Sum	0.5
Anti-Graffiti Coating	Sq. Ft.	5,024
Graffiti Removal (Special)	Sq. Yd.	695

FORMLINER ELEVATIONS

Location Between	Station	Bottom Elevation
Start of Wall	607+62.55	741.02
Panels 1 & 2	607+92.55	741.11
Panels 2 & 3	608+22.55	741.20
Panels 3 & 4	608+52.55	741.29
Panels 4 & 5	608+82.55	741.38
Panels 5 & 6	609+12.55	741.47
Panels 6 & 7	609+42.55	741.56
End of Wall	609+70.79	741.63

NOTES:

- Stations and offsets are measured with respect to the Mixed-Use Path along IL 25/Stearns Road
- U.N.O. denotes unless noted otherwise.



SECTION X-X

\* Thickness of Architectural Treatment

DESIGNED	AAY
CHECKED	AJK
DRAWN	VH
CHECKED	HMA/DMC

▲ Addendum #1 - 6/5/09

**benesch**

alfred benesch & company  
Engineers • Surveyors • Planners  
205 North Michigan Avenue, Suite 2400  
Chicago, Illinois 60601  
312-565-0450  
Job # 3944

**ARCHITECTURAL TREATMENT  
MIXED-USE PATH UNDER  
IL 25/DUNHAM ROAD  
F.A.P. 360 - SEC. 06-00214-15-BR  
KANE COUNTY  
STATION 609+05.92  
STRUCTURE NO. 045-3174**