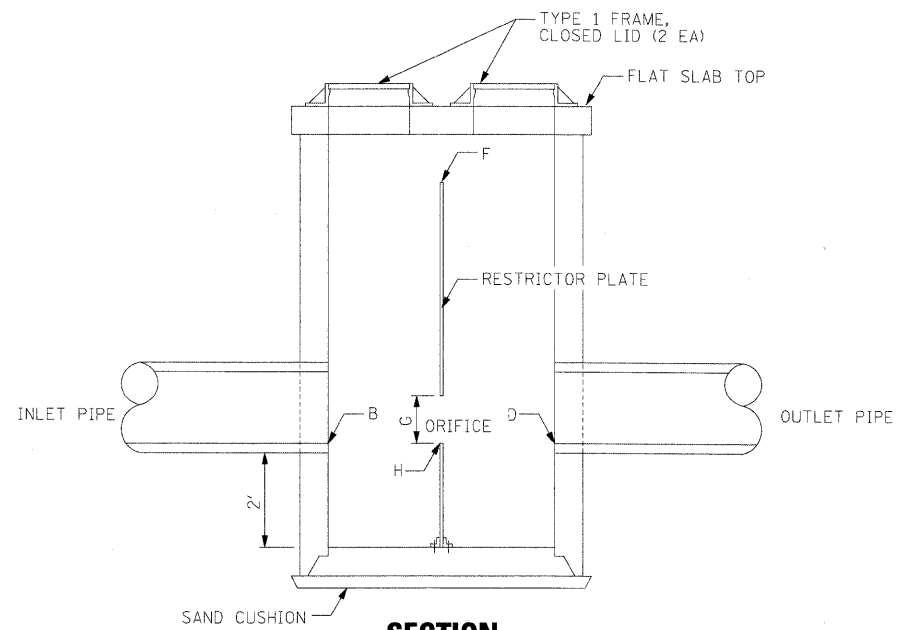


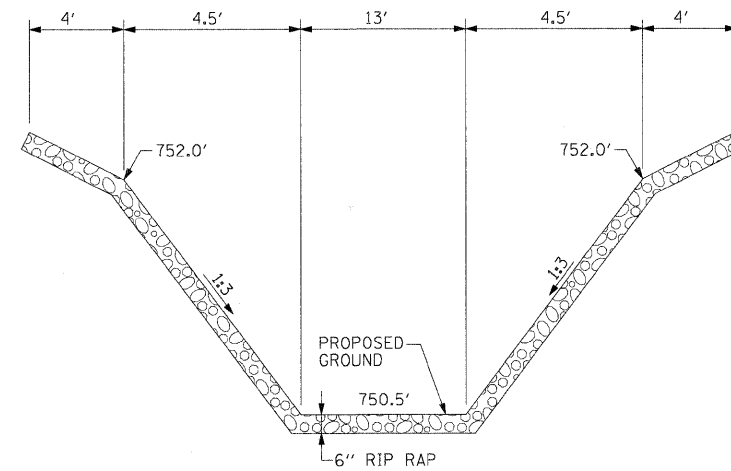
**PLAN**



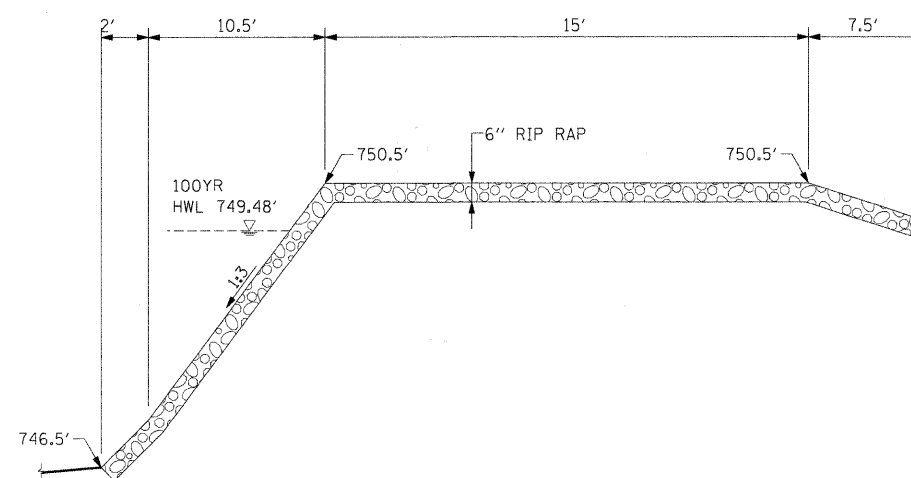
**SECTION**

**PROPOSED POND OUTLET STRUCTURE  
MANHOLE TYPE 1, 6' DIA., W /RESTRICTOR**

POND - MH ID	INLET PIPE		OUTLET PIPE		WEIR		ORIFICE		MANHOLE
	DIA. (IN.)	INV. ELEV.	DIA. (IN.)	INV. ELEV.	LENGTH (FT.)	ELEV.	DIA. (IN.)	ELEV.	DIA. (FT.)
	(A)	(B)	(C)	(D)	(E)	(F)	(G)	(H)	(I)
A - MH A2-4	24	745.75	24	745.75	6	750.00	6	745.75	6
B - MH B4-1	24	740.75	24	740.75	6	745.00	4	741.20	6
B - MH B4-1							8	743.50	
C - MH C-03	15	742.47	15	742.47	6	745.55	4	742.47	6
D - MH D2-4	18	736.90	18	736.90	6	743.55	4	736.90	6
E - MH E2-2	18	742.30	18	742.30	6	746.80	4	742.30	6
J - MH J-02	24	758.75	24	758.75	6	763.00	14.4	758.75	6



**SECTION A1  
POND A WEIR**



**SECTION A2  
POND A WEIR**

**NOTES:**

1. TYPE 1 FRAME AND COVER TO BE NEENAH FOUNDRY COMPANY NO. R-1713, TYPE "B" VENTED COVER OR APPROVED EQUAL.

x:\39005\3944\engineer\ng\_documents\Drawings\p\p\In\_ABC\_drdet\_01.dgn

FILE NAME =	USER NAME = #USER#	DESIGNED - TJR	REVISED -	<b>KANE COUNTY DIVISION OF TRANSPORTATION</b>	<b>DRAINAGE AND UTILITY DETAILS</b>				F.A. RTE.	SECTION	COUNTY	TOTAL SHEETS	SHEET NO.
#FILES#		DRAWN - AAF	REVISED -		361	06-00214-15-BR	KANE/DUPAGE	545	175				
PLOT SCALE = 1.0000' / IN.		CHECKED - JNR	REVISED -		CONTRACT NO. 63074								
PLOT DATE = 3/30/2009		DATE - 3/31/09	REVISED -		SCALE:	SHEET NO.	OF SHEETS	STA.	TO STA.	FED. ROAD DIST. NO.	ILLINOIS FED. AID PROJECT		