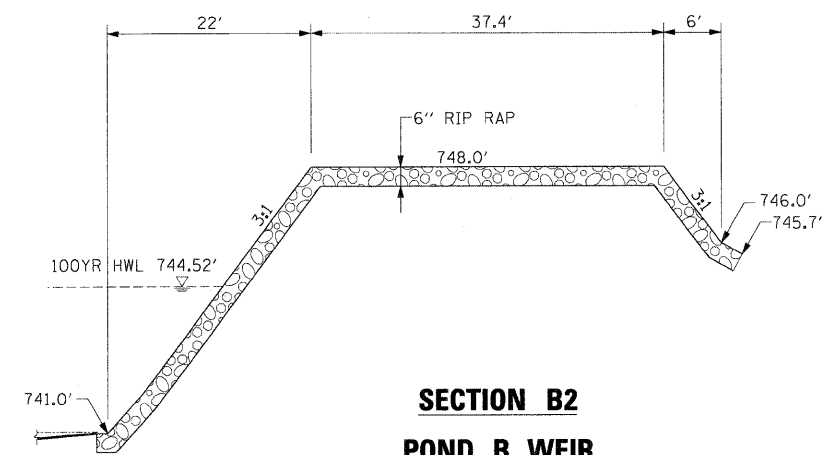
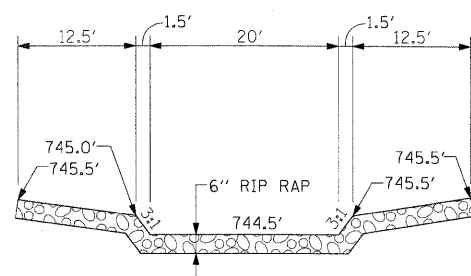


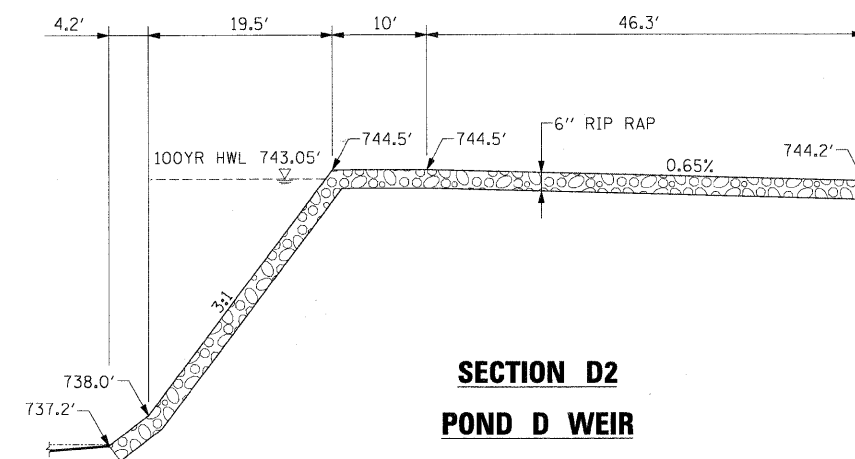
**SECTION B1  
POND B WEIR**



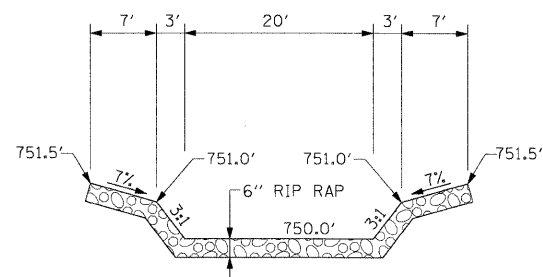
**SECTION B2  
POND B WEIR**



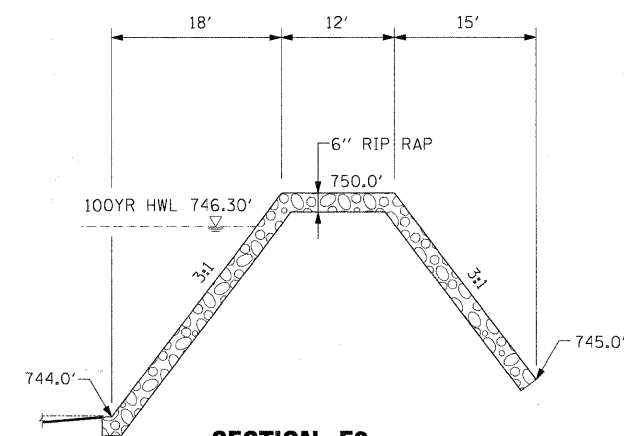
**SECTION D1  
POND D WEIR**



**SECTION D2  
POND D WEIR**



**SECTION E1  
POND E WEIR**



**SECTION E2  
POND E WEIR**

x:\2008\3944\engineer\ing\_documents\Drawings\pripin\_ABC\_drmdet\_02.dgn

FILE NAME =	USER NAME = #USER#	DESIGNED - TJR	REVISED -	<b>KANE COUNTY DIVISION OF TRANSPORTATION</b>	<b>DRAINAGE AND UTILITY DETAILS</b>				F.A. RTE.	SECTION	COUNTY	TOTAL SHEETS	SHEET NO.
#FILES#		DRAWN - AAF	REVISED -		361	06-00214-15-BR	KANE/DUPAGE	545	176				
PLOT SCALE = 1.0000' / IN.		CHECKED - JNR	REVISED -		CONTRACT NO. 63074								
PLOT DATE = 3/30/2009		DATE - 3/31/09	REVISED -		FED. ROAD DIST. NO. ILLINOIS FED. AID PROJECT								
				SCALE:	SHEET NO.	OF	SHEETS	STA.	TO STA.				