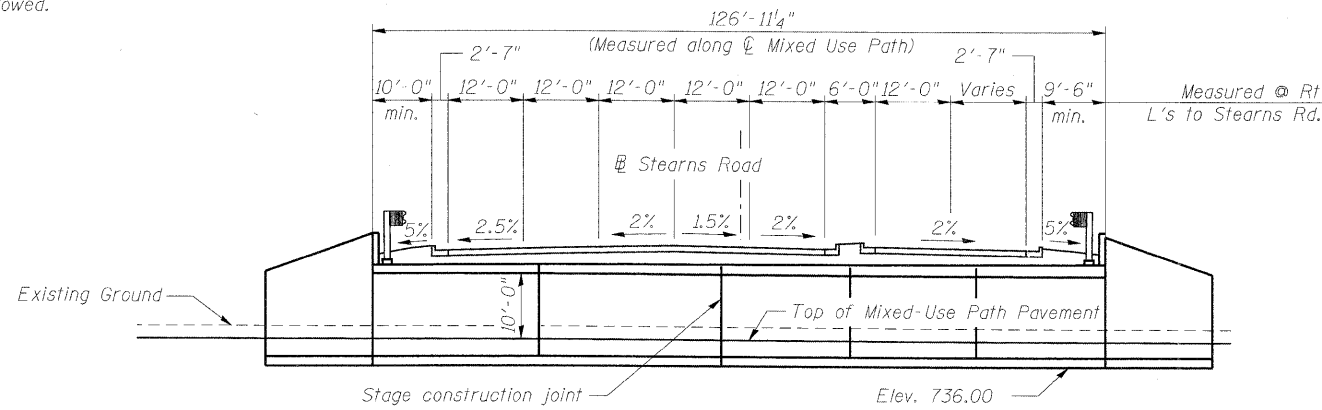


Benchmark BM-24:
 "Aluminum Disk" set in concrete, 0.50± mile east of Stearns Road and
 Dunham Road at the south side of Stearns Road. Elev. 762.678
 Existing Structure: None
 Precast alternate is not allowed.

STATE OF ILLINOIS
 DEPARTMENT OF TRANSPORTATION

ROUTE NO.	SECTION	COUNTY	TOTAL SHEETS	SHEET NO.
-	-	KANE	545	288

Contract #63074



LOADING HS-20

Allow 50#/sq. ft. for future wearing surface.

DESIGN SPECIFICATIONS

AASHTO Standard Specifications for Highway Bridges, 17th edition

DESIGN STRESSES

FIELD UNITS

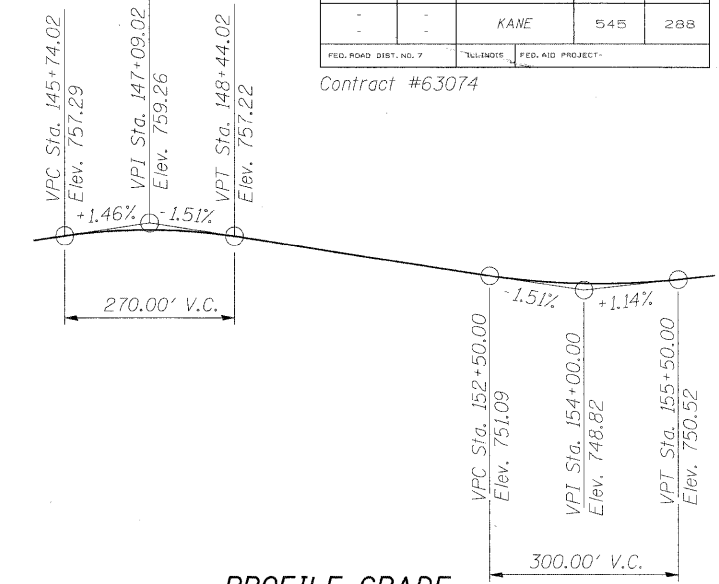
$f_c = 3,500$ psi
 $f_y = 60,000$ psi (Reinforcement)

MAXIMUM APPLIED BEARING PRESSURE

3,000 psf

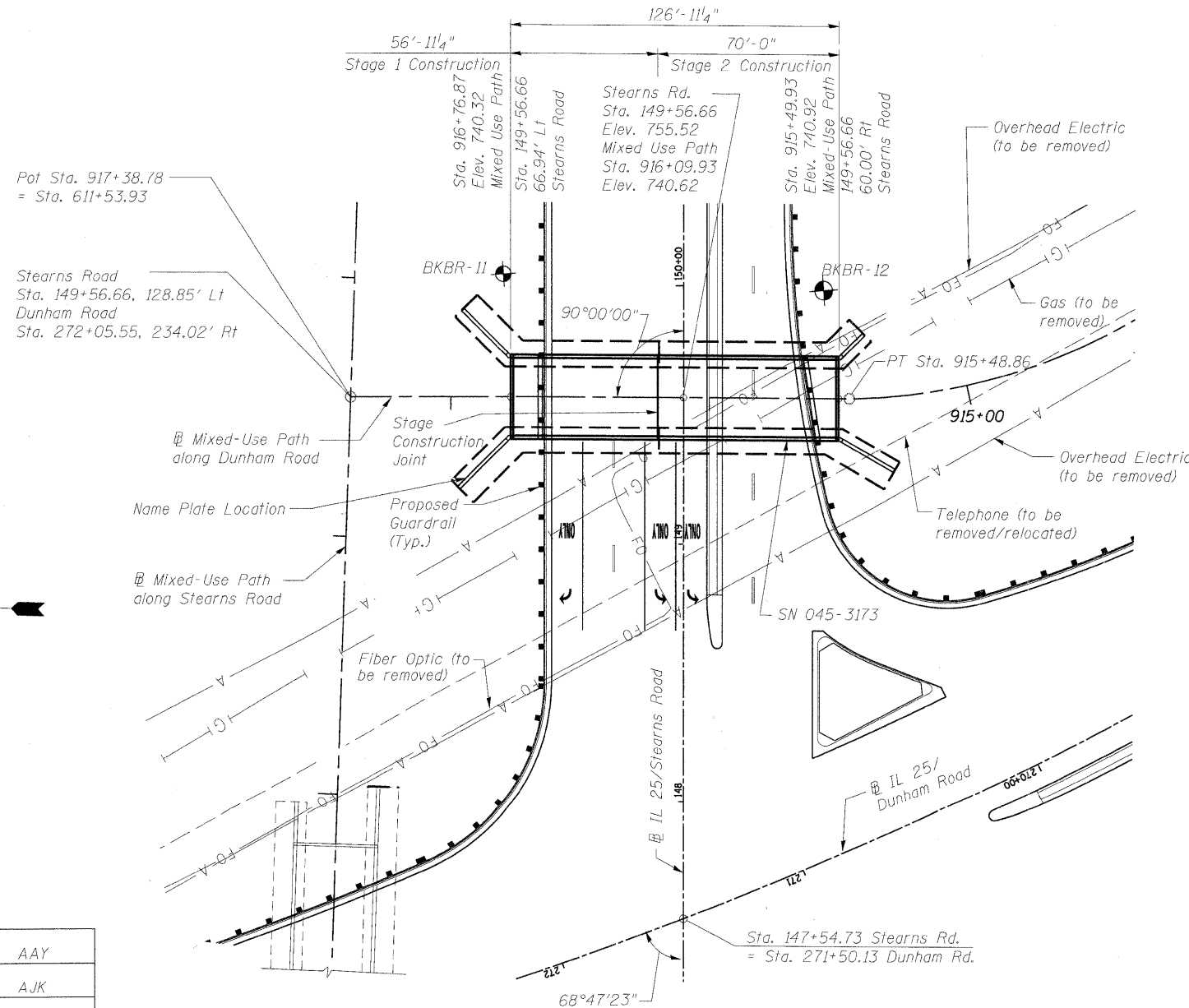
SEISMIC DATA

Seismic Performance Category (SPC) = A
 Bedrock Acceleration Coefficient (A) = 0.037 g
 Site Coefficient (S) = 1.0



ELEVATION

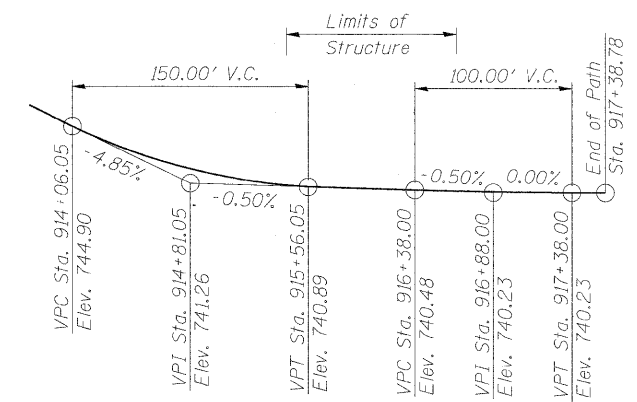
Mixed Use Path along IL 25/Dunham Road
 Under IL 25/Stearns Road, SN 045-3173



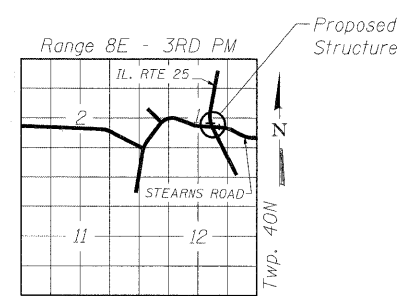
STATION 916+09.93
 BUILT 2011 BY
 STATE OF ILLINOIS
 LOADING HS-20
 STRUCTURE NO. 045-3173

NAME PLATE

See std. 515001
 See sheet SA-13 for location



APPROVED
 FOR STRUCTURAL ADEQUACY ONLY
 Ralph E. Anderson
 Engineer of Bridges and Structures



LOCATION SKETCH

DESIGNED	AAY
CHECKED	AJK
DRAWN	VH
CHECKED	HMA/DMC

GENERAL PLAN

benesch
 alfred benesch & company
 Engineers • Surveyors • Planners
 205 North Michigan Avenue, Suite 2400
 Chicago, Illinois 60601
 312-965-0450
 Job # 3944

**GENERAL PLAN AND ELEVATION
 MULTI-USE PATH UNDER
 IL 25/STEARNS ROAD
 F.A.P. 360 - SEC. 06-00214-15-BR
 KANE COUNTY
 STATION 916+09.93
 STRUCTURE NO. 045-3173**