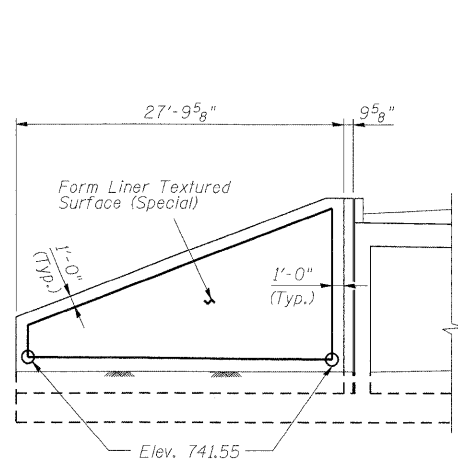


STATE OF ILLINOIS
DEPARTMENT OF TRANSPORTATION

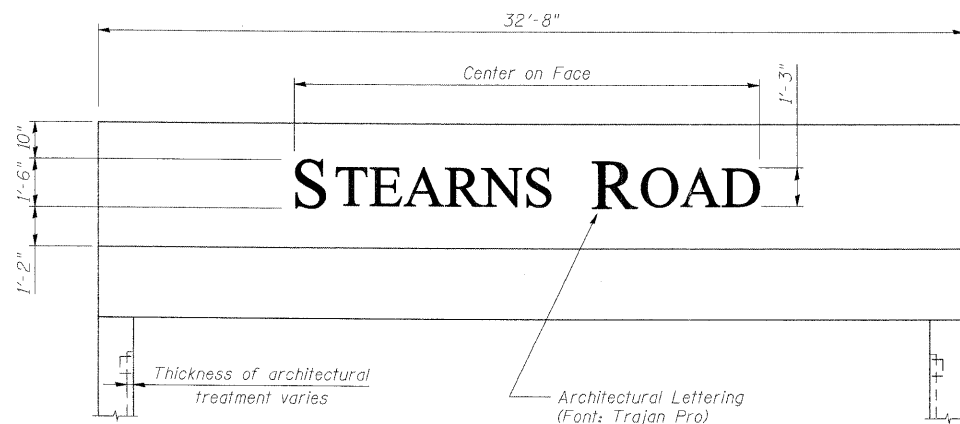
ROUTE NO.	SECTION	COUNTY	TOTAL SHEETS	SHEET
-	-	KANE	545	300
FED. ROAD DIST. NO. 7		ILLINOIS	FED. AID PROJECT	

SHEET SA- 13
OF 14 SHEETS

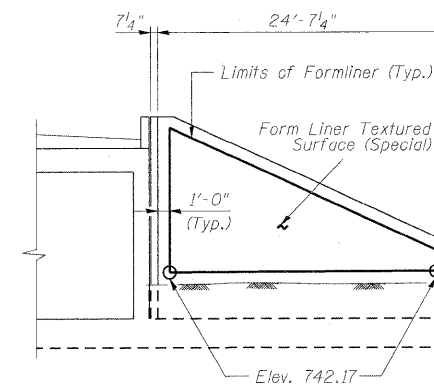
Contract #63074



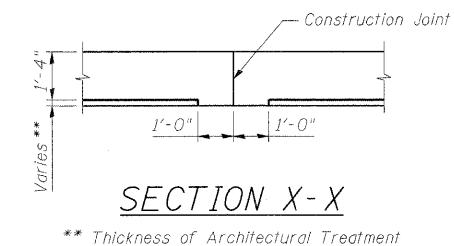
NORTH WEST WINGWALL ELEVATION



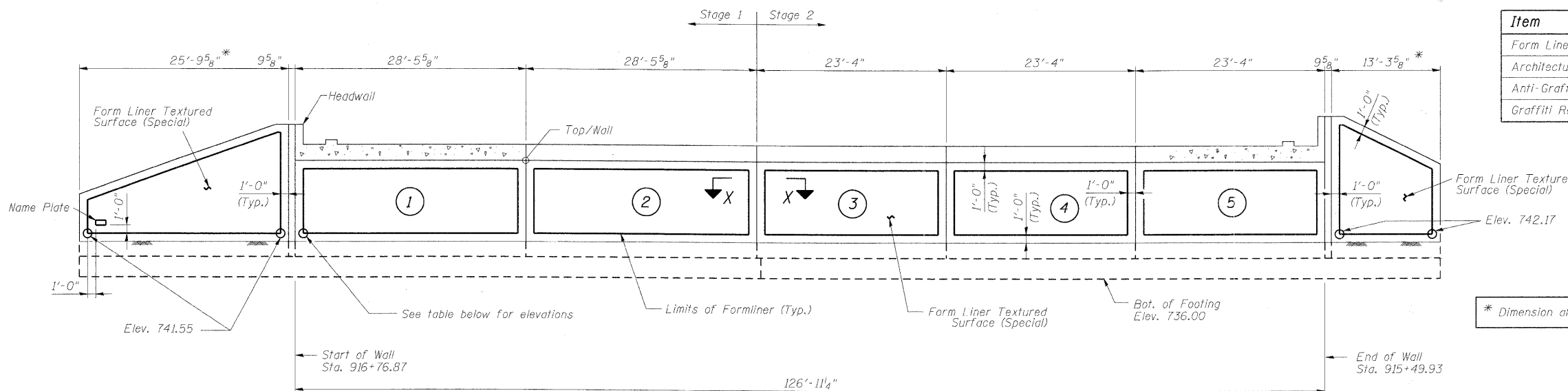
HEADWALL ELEVATION



SOUTH WEST WINGWALL ELEVATION



SECTION X-X
** Thickness of Architectural Treatment



NORTH EAST WINGWALL

ELEVATION

SOUTH EAST WINGWALL

BILL OF MATERIAL

Item	Unit	Stage 1	Stage 2
Form Liner Textured Surface (Special)	Sq. Ft.	1,659	1,766
Architectural Lettering	L. Sum	0.25	0.25
Anti-Graffiti Coating	Sq. Ft.	1,838	1,946
Graffiti Removal (Special)	Sq. Yd.	190	234

FORMLINER ELEVATIONS

Location	Station	Bottom Elevation
Start of Wall	916+76.87	741.56
Between Panels 1 & 2	916+48.40	741.67
Stage Construction Joint	916+19.93	741.81
Between Panels 3 & 4	915+96.60	741.93
Between Panels 4 & 5	915+73.27	742.04
End of Wall	915+49.93	742.16

NOTES:

- Stations and offsets are measured with respect to Mixed-Use Path along IL 25/Dunham Road

DESIGNED	AAY
CHECKED	AJK
DRAWN	VH
CHECKED	HMA/DMC

benesch
alfred benesch & company
Engineers • Surveyors • Planners
205 North Michigan Avenue, Suite 2400
Chicago, Illinois 60601
312-565-0450
Job # 3944

ARCHITECTURAL TREATMENT
MULTI-USE PATH UNDER
IL 25/STEARNS ROAD
F.A.P. 360 - SEC. 06-00214-15-BR
KANE COUNTY
STATION 916+09.93
STRUCTURE NO. 045-3173