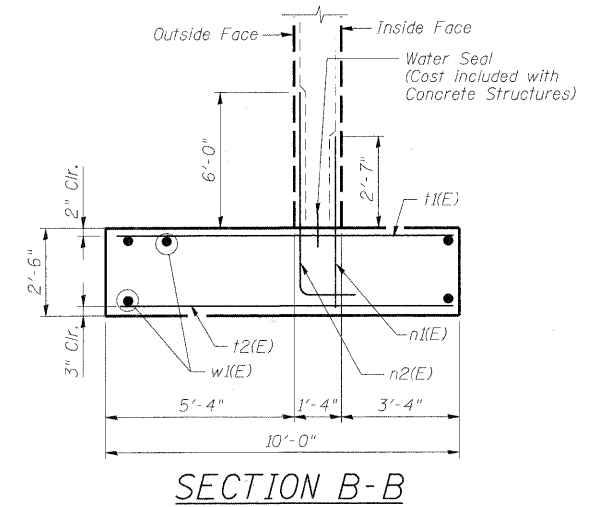
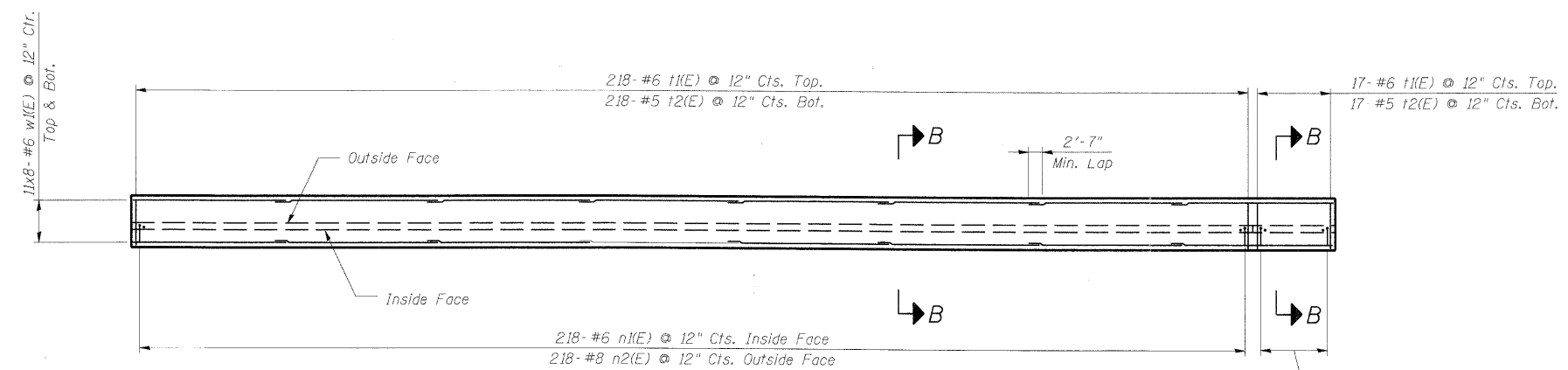
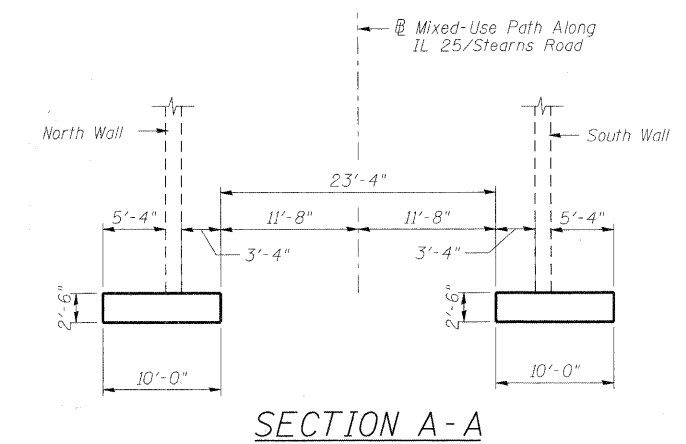
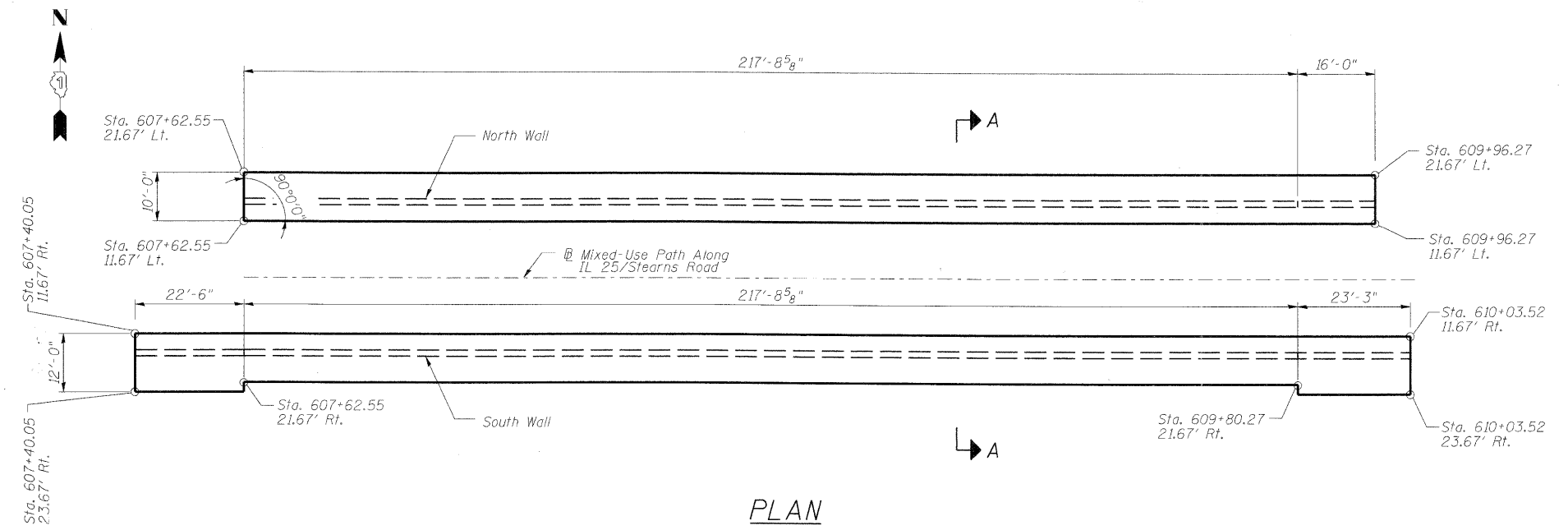


STATE OF ILLINOIS  
DEPARTMENT OF TRANSPORTATION

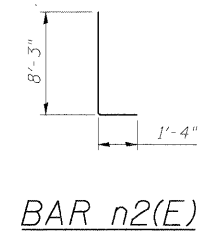
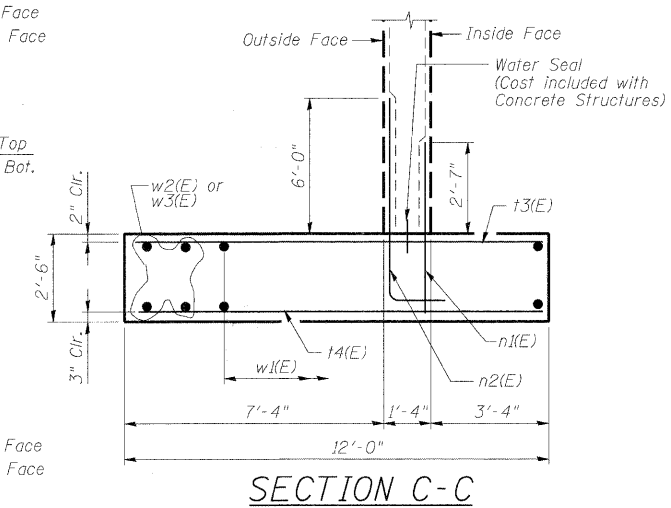
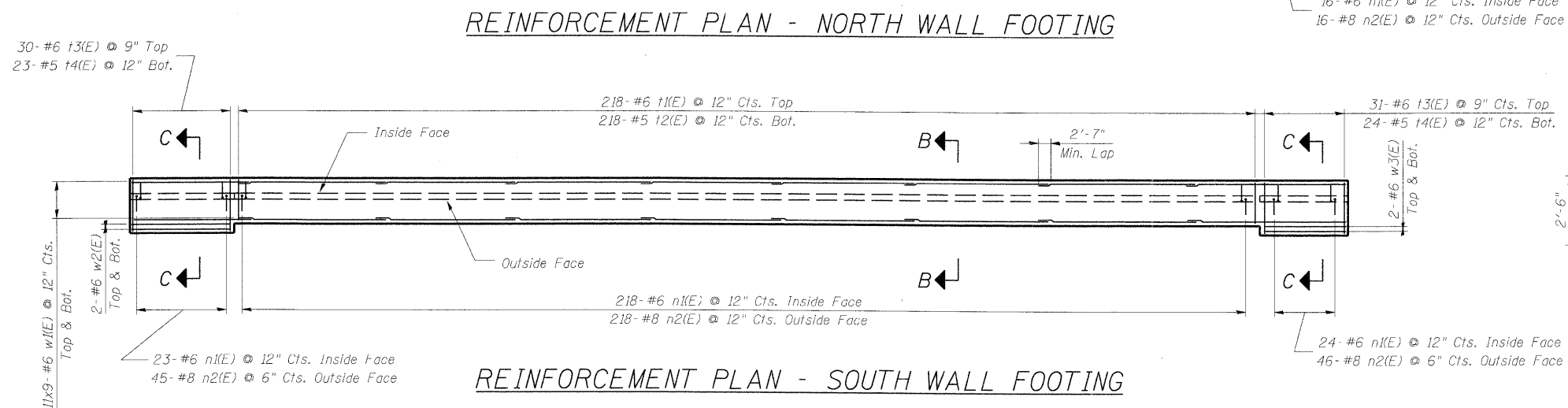
ROUTE NO.	SECTION	COUNTY	TOTAL SHEETS	SHEET NO.	SHEET SB- 3 OF 14 SHEETS
-	-	KANE	545	304	
FED. ROAD DIST. NO. 7		ILLINOIS	FED. AID PROJECT		

Contract # 63074



**BILL OF MATERIAL**

Bar	No.	Size	Length	Shape
n1(E)	499	#6	4'-10"	—
n2(E)	543	#8	9'-7"	—
11(E)	453	#6	9'-8"	—
12(E)	453	#5	9'-8"	—
13(E)	61	#6	11'-8"	—
14(E)	47	#5	11'-8"	—
w1(E)	374	#6	31'-6"	—
w2(E)	4	#6	22'-2"	—
w3(E)	4	#6	22'-11"	—
Concrete Structures			Cu. Yd.	468.9
Reinforcement Bars, Epoxy Coated			Pound	48,270



DESIGNED	AAY
CHECKED	AJK
DRAWN	VH
CHECKED	HMA/DMC

- NOTES:**
- Stations and offsets are measured with respect to Mixed-Use Path along IL 25/ Stearns Road
  - Bars indicated thus 13x8- #6 etc. indicates 13 lines of bars with 8 lengths per line.
  - Maximum Applied Bearing Pressure is 3000 psf.
  - 1" Conduit through footing at east end. See Lighting Plans.

**benesch** alfred benesch & company  
 Engineers - Surveyors - Planners  
 205 North Michigan Avenue, Suite 2400  
 Chicago, Illinois 60601  
 312-565-0450  
 Job # 3944

**FOUNDATION PLAN AND REINFORCEMENT  
 MIXED-USE PATH UNDER  
 IL 25/DUNHAM ROAD  
 F.A.P. 360 - SEC. 06-00214-15-BR  
 KANE COUNTY  
 STATION 609+05.92  
 STRUCTURE NO. 045-3174**

x:\3900s\3944\engineering\_documents\IL25-Stearns\_Path\_under\_IL25-SN045-3174\Final\0453174-63074-003-fndp.dgn 11:20:02 AM 3/30/2009