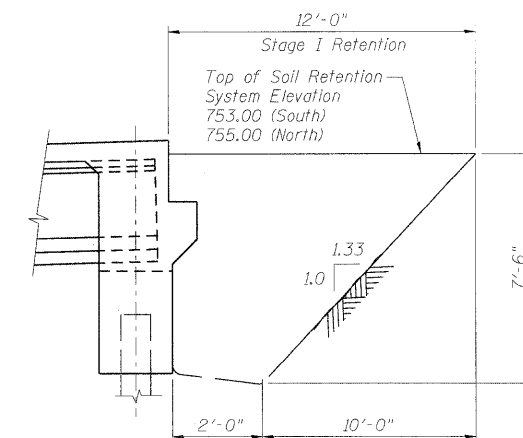
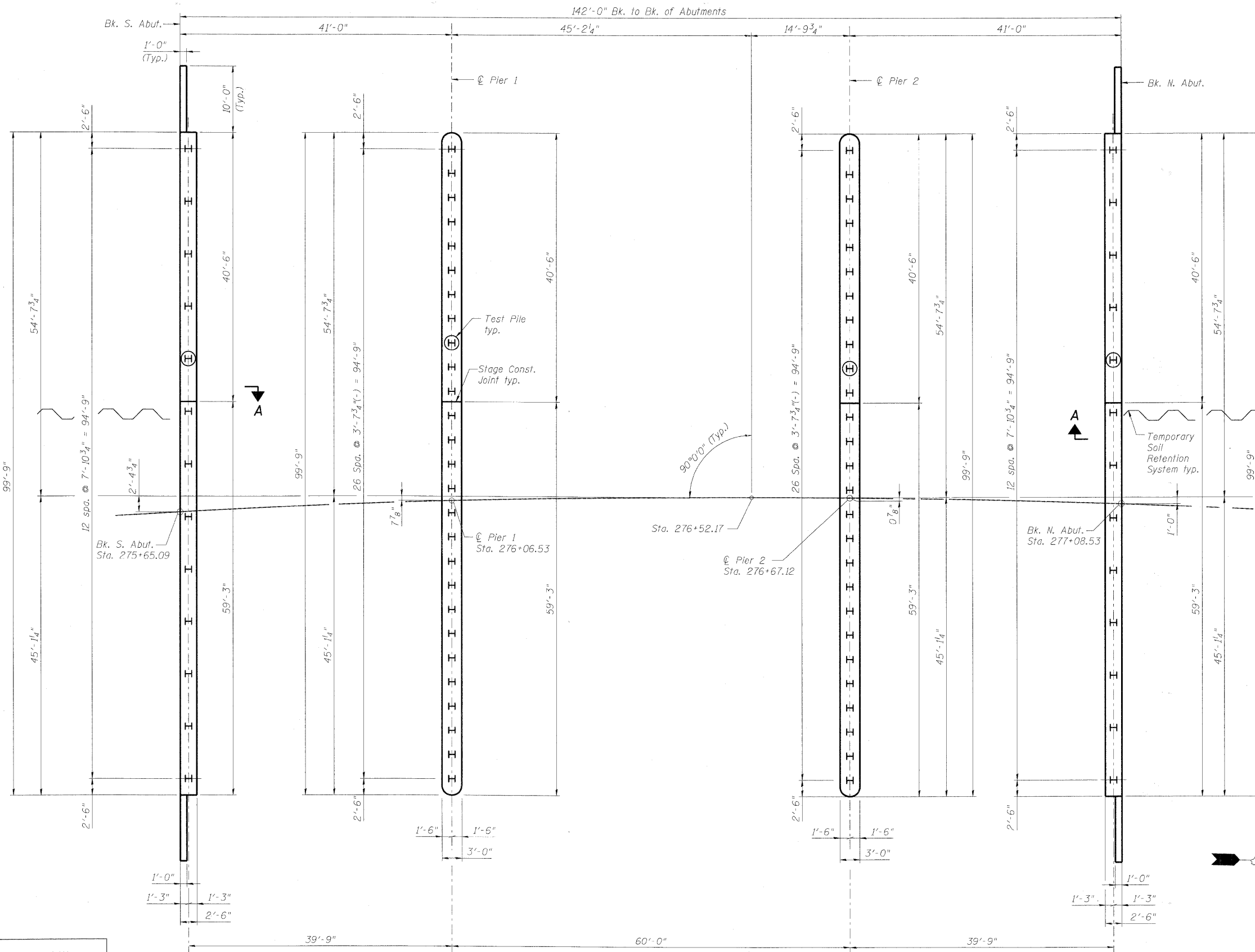


STATE OF ILLINOIS  
DEPARTMENT OF TRANSPORTATION

ROUTE NO.	SECTION	COUNTY	TOTAL SHEETS	SHEET NO.
-	-	KANE	545	318
FED. ROAD DIST. NO. 7	ILLINOIS	FED. AID PROJECT		

SHEET SD- 3  
OF 34 SHEETS

Contract # 63074



The Contractor shall submit a temporary soil retention system design including plan details and calculations for review and acceptance by the Engineer.

- Notes:
- Excavation protection for Piers 1 and 2 shall be paid for as Underwater Structure Excavation Protection Locations 1 and 2, respectively. See Special Provision.
  - See sheets SD-20 thru SD-23 for abutment and pier details, and pile data.
  - Piles shall be driven through 1'-6" diameter precored holes extending to elevation 739 (S. Abut.) and 737 (N. Abut.) according to Article 512.09(c) of the Standard Specifications. Cost included in driving piles.

⊕ HP12 x 53 Test Pile  
I HP12 x 53 Vertical Pile

DESIGNED	AAY
CHECKED	AJK
DRAWN	VH
CHECKED	DMC

SOUTH ABUTMENT PILE FOUNDATION      PIER 1 PILE FOUNDATION      PIER 2 PILE FOUNDATION      NORTH ABUTMENT PILE FOUNDATION

FOOTING LAYOUT

**benesch**  
alfred benesch & company  
Engineers • Surveyors • Planners  
205 North Michigan Avenue, Suite 2400  
Chicago, Illinois 60601  
312-565-0450  
Job # 3944

**FOUNDATION PLAN**  
**IL 25/DUNHAM ROAD OVER THE**  
**EAST BRANCH OF BREWSTER CREEK**  
**F.A.P. 360 - SEC. 06-00214-15-BR**  
**KANE COUNTY**  
**STATION 276+36.96**  
**STRUCTURE NO. 045-2032**

x:\39000s\3944\engineering\_documents\125-dunham\_road\_brewster\_s045-2032(nb)\_sn045-2034(sb)\final\0452032-63074-003-fndn.dgn 11:20:45 AM 3/30/2009